



AMIKA 35XL PARTS BOOK

From S/N: 2750370
To S/N:2786016

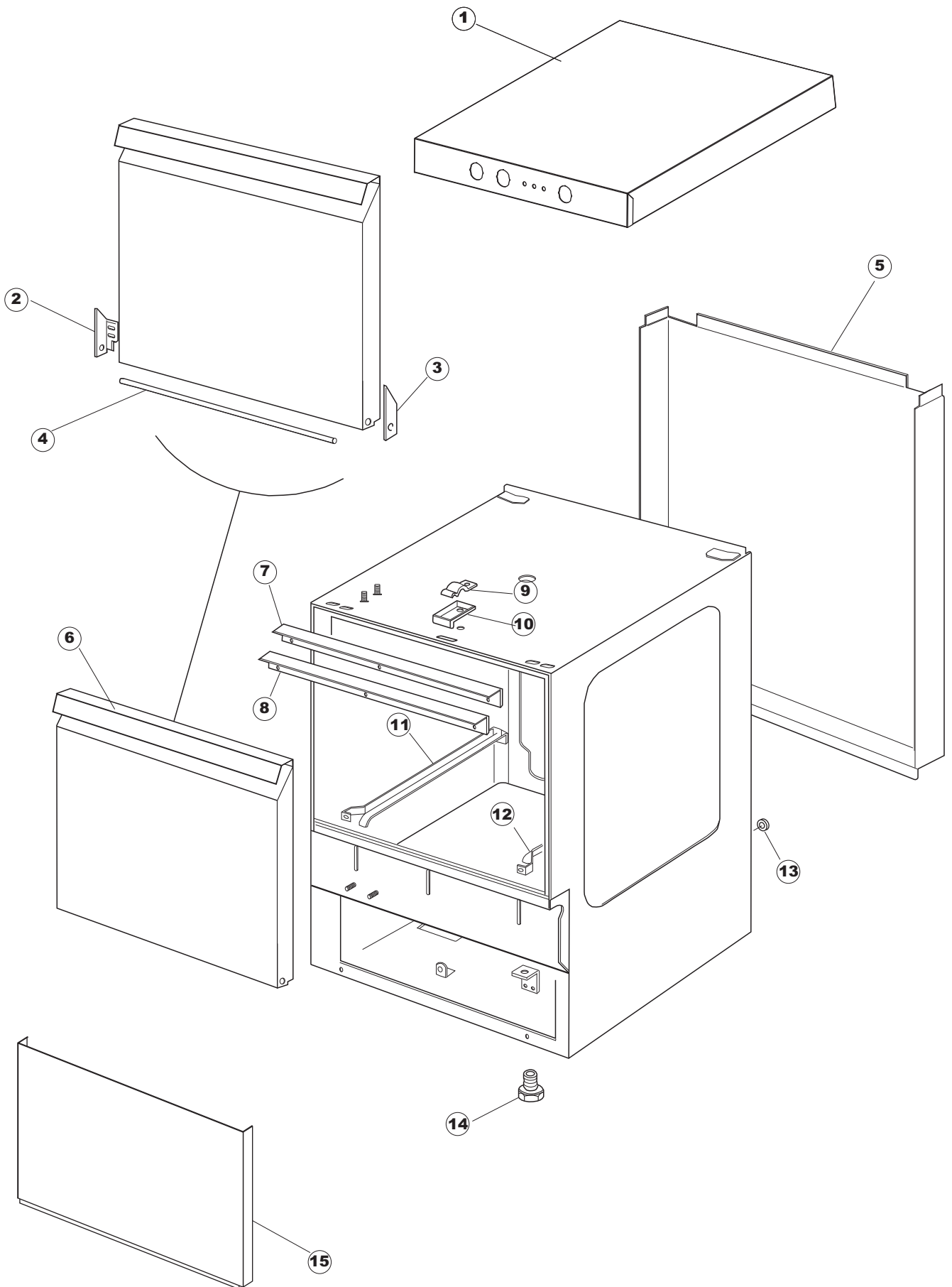
13.12.2012

All spares available from

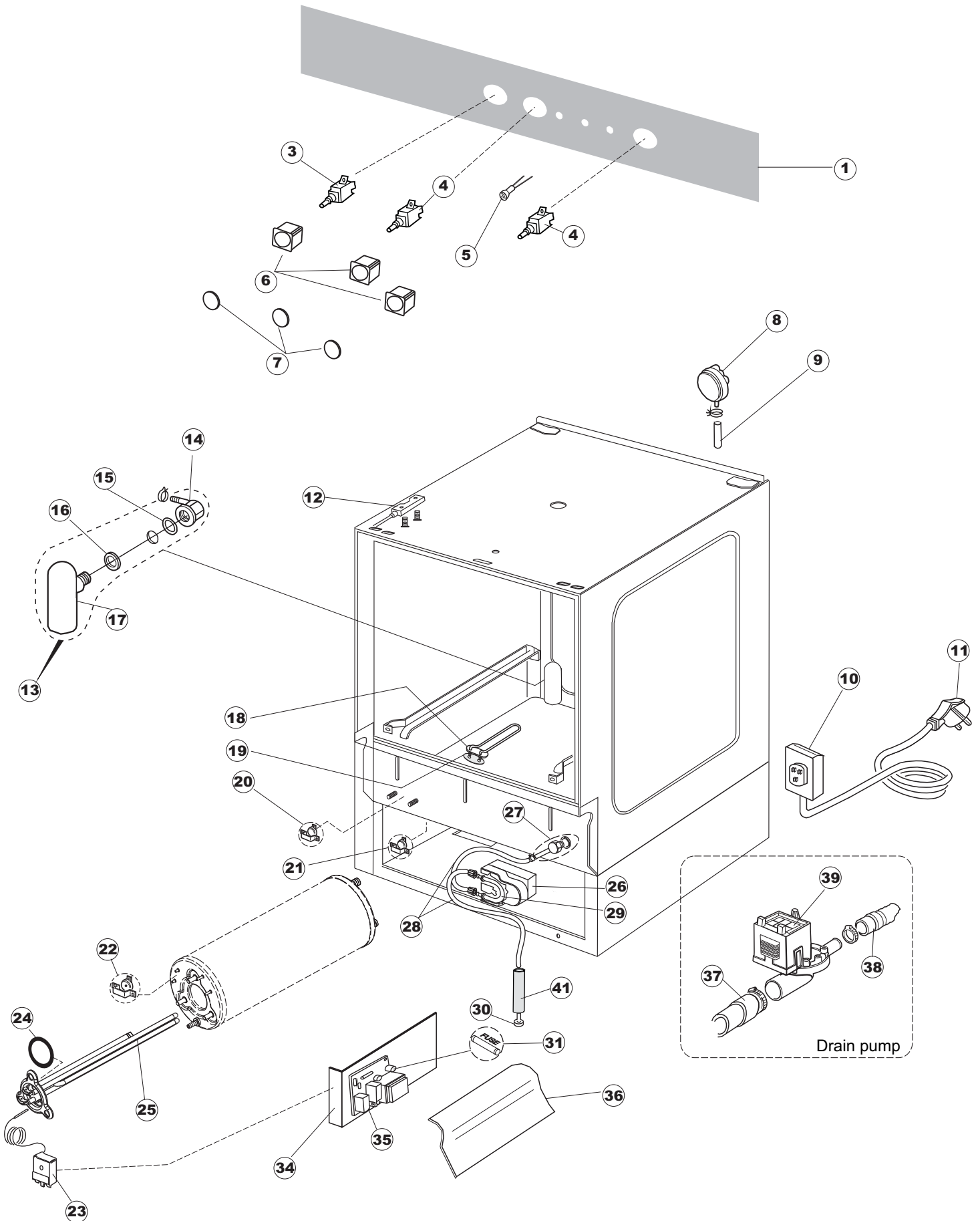


The Engine Shed
Top Station Road
Brackley
NN13 7UG
Tel: 0845 1308060
Fax: 01280 845345
Web: www.caterparts.com

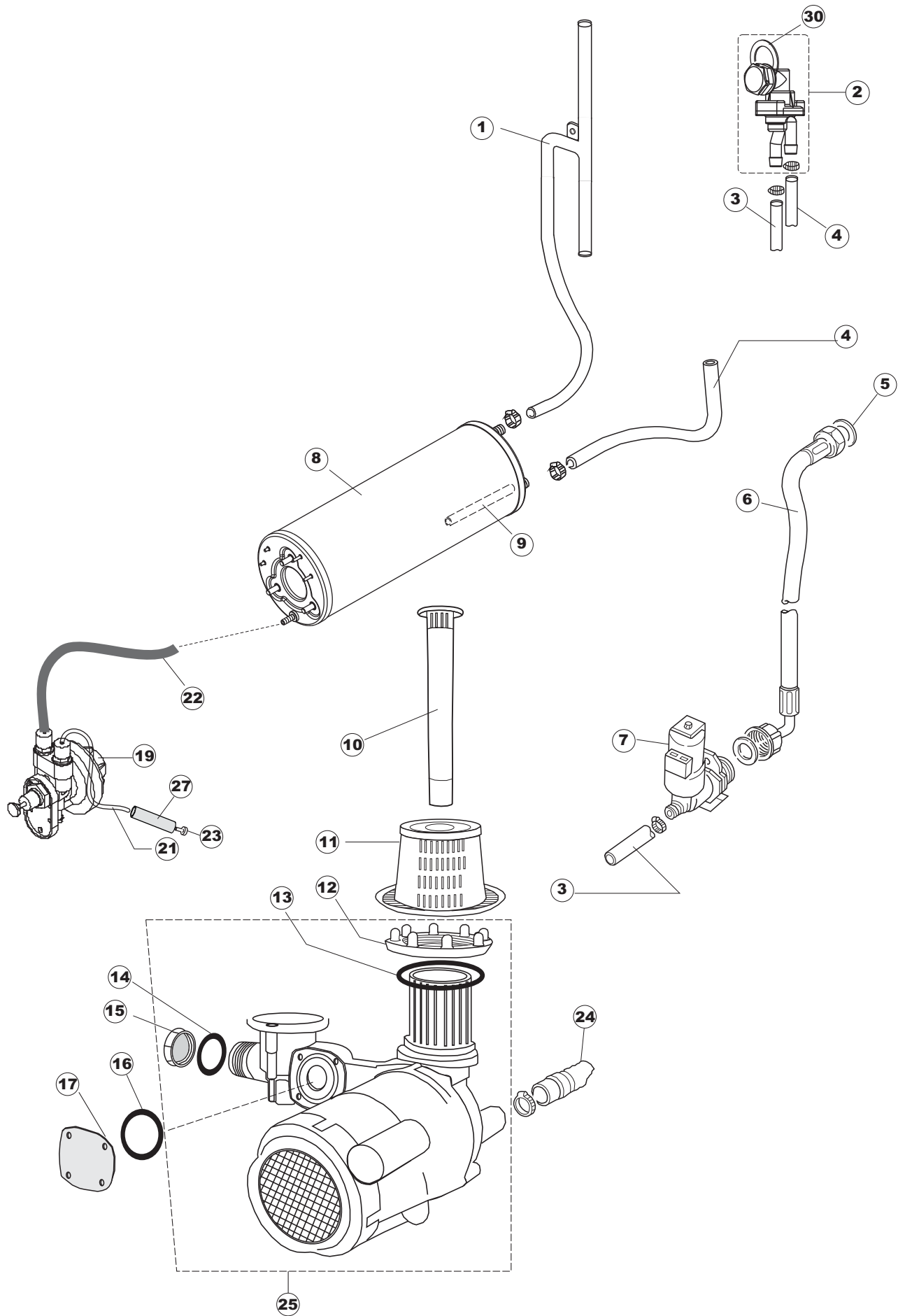
1



Page	Ref	Part Code	Description
1	1	MH104492	TOP PANEL
1	2	MH100341	DOOR HINGE L/H
1	3	MH100342	DOOR HINGE R/H
1	4	MH100004	ROD FOR DOOR HINGE
1	5	MH100485	BACK PANEL
1	6	MH104493	DOOR
1	7	MH100343	DOOR SEAL
1	8	MH100344	DOOR STRIP
1	9	MH100345	DOOR CATCH – TOP SECTION
1	10	MH100346	DOOR CATCH – BOTTOM SECTION
1	11	MH100523	BASKET GUIDE L/H
1	12	MH100522	BASKET GUIDE R/H
1	13	MH100347	CABLE GLAND
1	14	MH100438	MACHINE FOOT
1	15	MH101439	FRONT PANEL

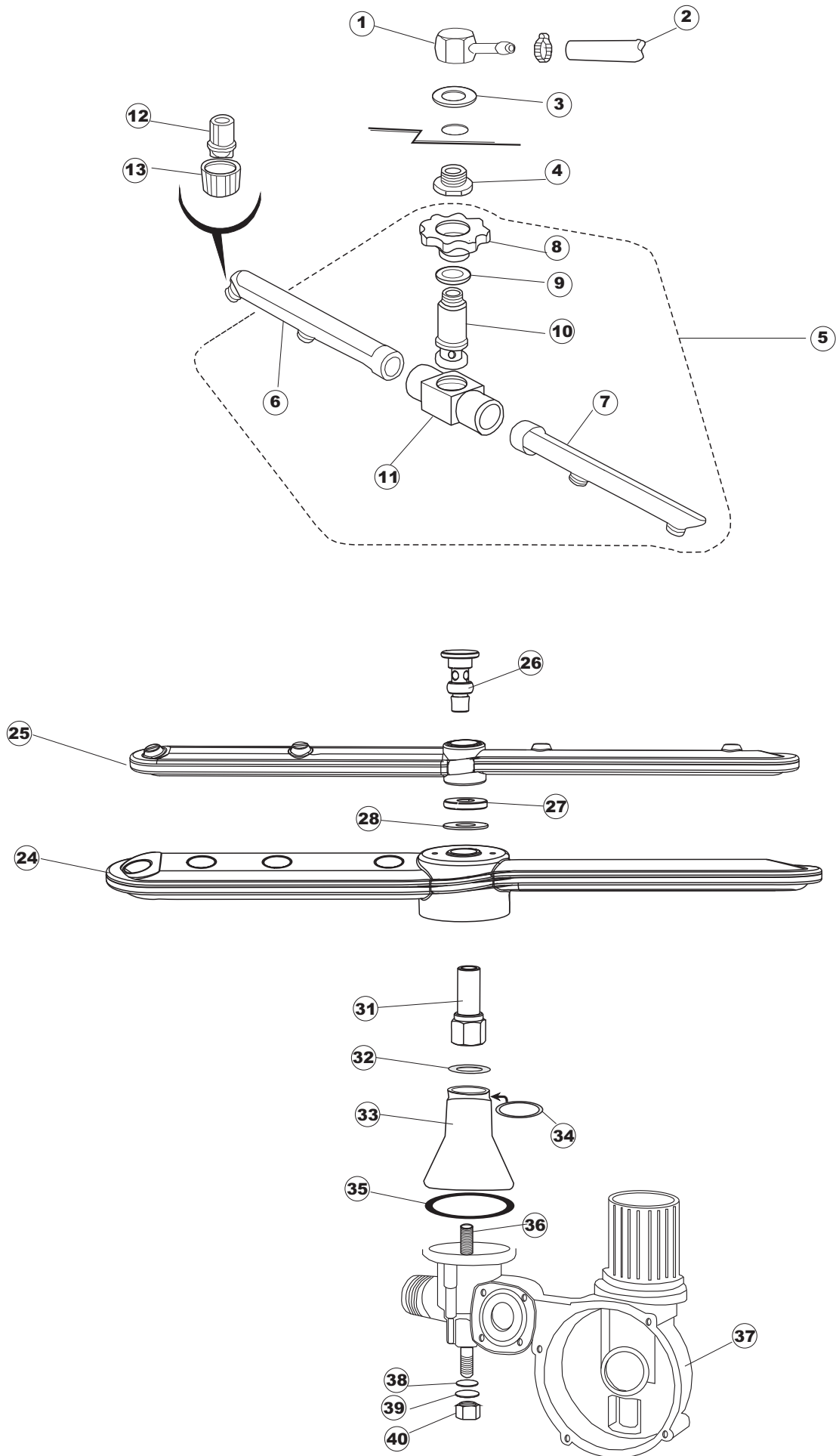


Page	Ref	Part Code	Description
2	1	MH104506	FASCIA
2	3	MH100199	SWITCH 2 POLE 250V 2CO 16A
2	4	MH101700	SWITCH 2 POLE 16A 250V
2	5	MH101431	INDICATOR LAMP dia.6mm 230V YELLOW
2	6	MH104494	SWITCH HOUSING
2	7	MH104489	GREY BUTTON – ROUND dia.21mm
2	8	MH100352	PRESSURE SWITCH 35/17
2	9	MH104386	TUBE 4x6mm PVC (10Mtr pack)
2	10	MH102024	CABLE CONNECTOR BLOCK
2	11	MH104345	MAINS SUPPLY CONNECTOR
2	12	MH104286	DOOR SWITCH
2	13	MH100372	AIR BOX ASSEMBLY
2	14	MH100376	ELBOW CONNECTOR – AIR BOX
2	15	MH100375	O-RING
2	16	MH100374	O-RING – AIR BOX CONNECTION
2	17	MH100373	AIR BOX
2	18	MH100371	ELEMENT 1.6Kw -WASH TANK – c/w GASKET
2	19	MH100370	GASKET L=46mm W=22mm – WASH TANK
2	20	MH100369	THERMOSTAT for WASH TANK 60deg C
2	21	MH100368	SAFETY THERMOSTAT – WASH TANK 95deg C
2	22	MH100367	SAFETY THERMOSTAT 110deg C - BOILER
2	23	MH100364	THERMOSTAT 83deg C FIXED – BOILER
2	24	MH101357	O-RING – BOILER ELEMENT
2	25	MH101358	ELEMENT 2.6Kw – TRIANGULAR FLANGE
2	26	MH104387	DETERGENT PUMP - MICRODOS
2	26	MH100361	DETERGENT PUMP - SEKO
2	27	MH104266	DETERGENT ELBOW – METAL M12
2	28	MH104265	TUBE 4x6 CLEAR- per MTR.
2	29	MH100362	INTERNAL DET. SQUEEZE TUBE (SEKO)
2	29	MH103789	INTERNAL DET. SQUEEZE TUBE (MICRODOS)
2	30	MH103645	BOTTLE WEIGHT & FILTER
2	31	MH103970	FUSE 4A 5x20mm
2	34	MH104507	MOUNTING PLATE
2	35	MH104022	PCB BOARD
2	36	MH100357	COVER PLASTIC 230x200mm
2	37	MH100356	HOSE – DRAIN PUMP INLET
2	38	MH100355	DRAIN HOSE L=2450mm dia=22mm
2	39	MH100354	DRAIN PUMP 40W 230V – c/w BRACKET
2	41	MH100363	TUBING – BOTTLE SUPPORT

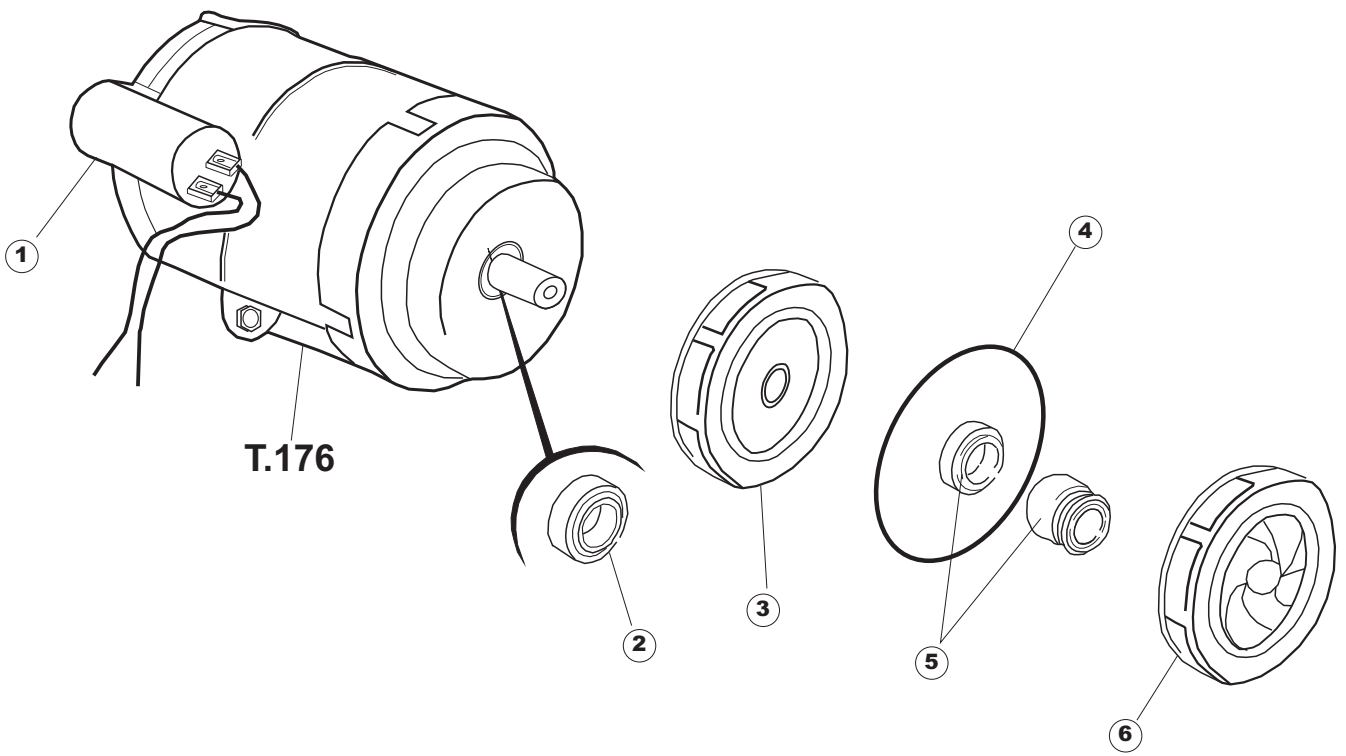


Page	Ref	Part Code	Description
3	1	MH100059	RINSE TUBE – REAR
3	2	MH100378	AIR BOX
3	3	MH100040	TUBE
3	4	MH100041	TUBE
3	5	MH100379	WASHER S641 EXPO
3	6	MH100540	FEED TUBE DVGW
3	7	MH103662	SOLENOID VALVE – SINGLE STRAIGHT 11.5mm
3	8	MH100633	BOILER
3	9	MH100042	TUBE
3	10	MH100397	DRAIN PLUG
3	11	MH100396	FILTER dia. 112mm – PLASTIC – WASH PUMP
3	12	MH100395	DRAIN CROWN
3	13	MH102518	GASKET
3	14	MH100393	WASHER – BLANK COVER
3	15	MH100392	BLANK COVER
3	16	MH100399	GASKET
3	17	MH102352	BLANK
3	19	MH103633	RINSE AID DOSER – HYDRAULIC
3	21	MH103969	TUBE 4x6mm PVC (1Mtr Pkt)
3	22	MH104388	TUBE 5x11mm – PRESSURE SWITCH per. Mtr
3	23	MH103645	BOTTLE WEIGHT & FILTER
3	24	MH100382	DRAIN HOSE L=1500mm
3	25	MH100383	WASH PUMP c/w MANIFOLD & CAPACITOR
3	27	MH100363	TUBING – BOTTLE SUPPORT
3	30	MH103933	GASKET - RUBBER

4



Page	Ref	Part Code	Description
4	1	MH100398	RINSE ELBOW – TOP
4	2	MH100059	RINSE TUBE – REAR
4	3	MH100399	GASKET
4	4	MH100400	THREADED BUSH
4	5	MH100404	RINSE ARM COMPLETE TOP ASSY. 4 JETS
4	6	MH100407	RINSE ARM TOP 2 JETS (STRAIGHT END JET)
4	7	MH100405	RINSE ARM TOP 2 JETS (ANGLED END JET)
4	8	MH100401	LOCK NUT – TOP RINSE ARM
4	9	MH100402	WASHER – TOP RINSE ARM
4	10	MH100403	SPINDLE – TOP RINSE ARM
4	11	MH100406	ROTATING TOP RINSE BOSS
4	12	MH100409	RINSE JET CENTRE
4	13	MH100408	RETAINER FOR RINSE JET
4	24	MH104495	WASH ARM COMPLETE
4	25	MH104496	RINSE ARM COMPLETE
4	26	MH104373	RINSE ARM SPINDLE
4	27	MH103846	THUMB NUT
4	28	MH103844	GASKET – TEFLON
4	31	MH104374	WASH ARM SPINDLE
4	32	MH100417	DISC – WATER FLOW REDUCER
4	33	MH100416	CENTRAL MANIFOLD – NO SPIGOT
4	34	MH100410	GASKET
4	35	MH100415	O-RING 153mm
4	36	MH100411	CENTRAL SPINDLE
4	37	MH100412	IMPELLOR HOUSING
4	38	MH100414	O-RING
4	39	MH103426	O-RING – RINSE FEED TUBE
4	40	MH100413	LOCK NUT



Page	Ref	Part Code	Description
5	1	Q910103	CAPACITOR 5UF
5	2	MH100422	BEARING
5	3	MH100421	IMPELLER HOUSING – REAR
5	4	MH101437	O-RING – WASH PUMP
5	5	MH100725	MECHANICAL SEAL
5	6	MH100419	IMPELLER