



# EVO501 & EVO505WS PARTS BOOK

From S/N: 2751728

18-02-2013

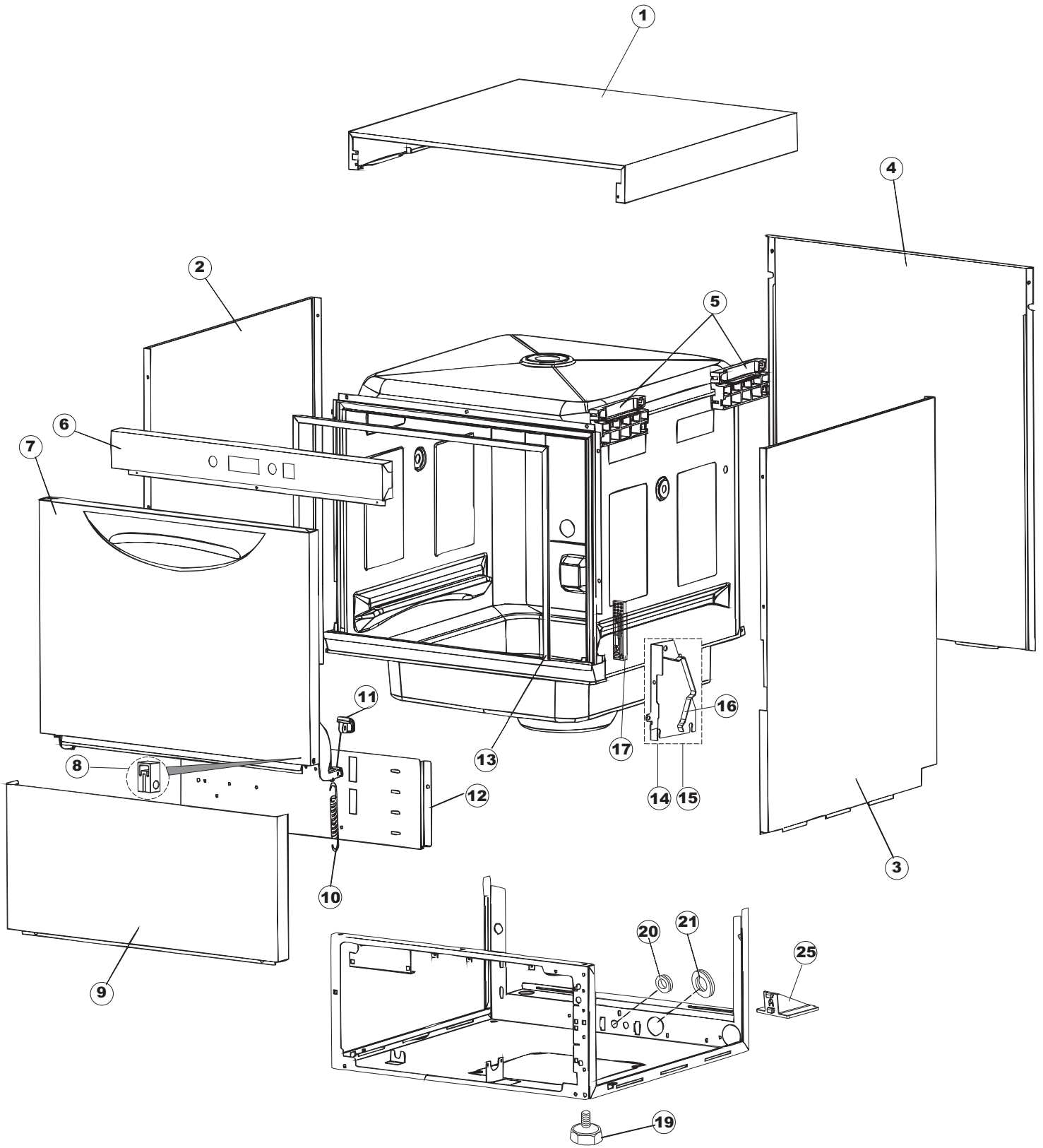
All spares available from



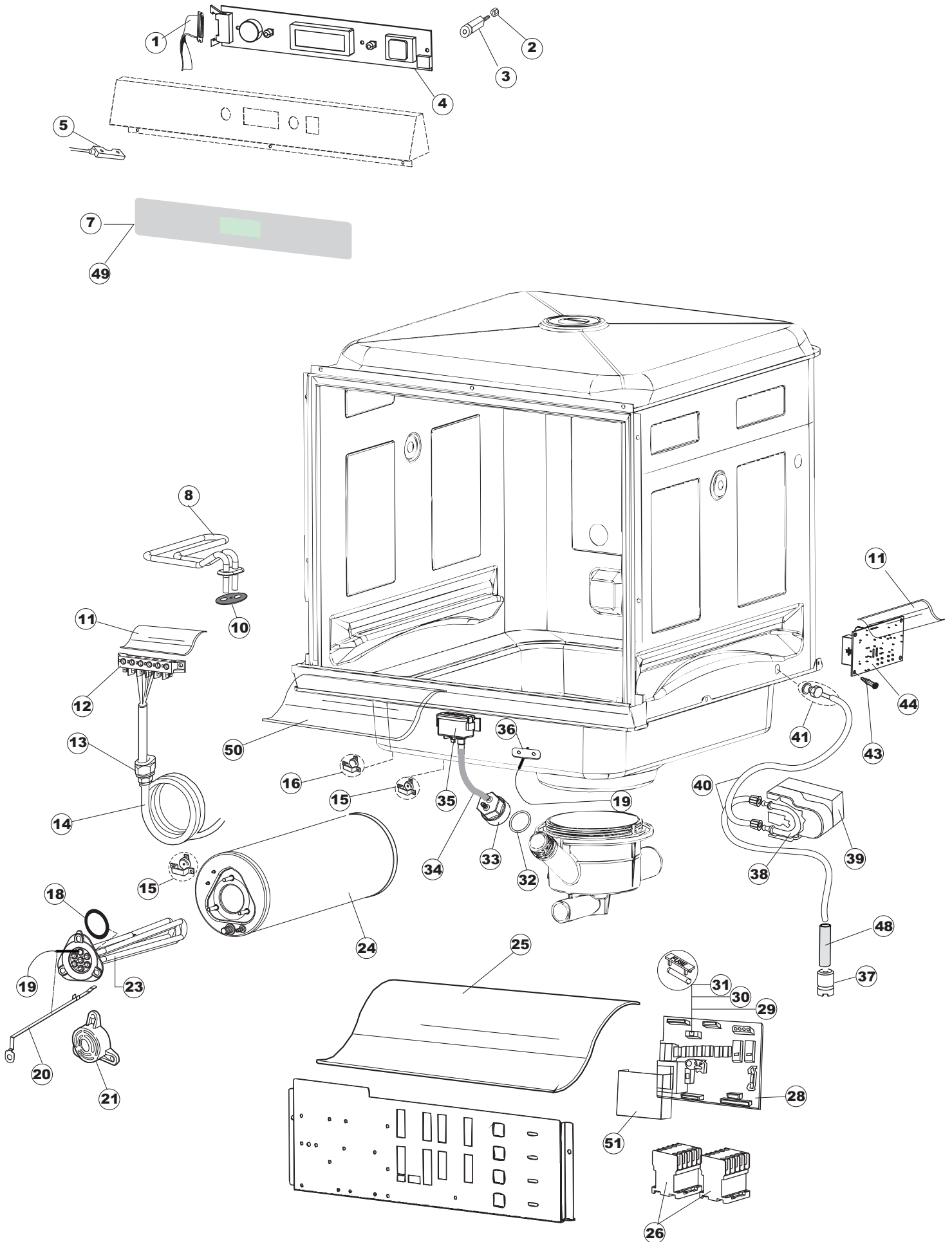
The Engine Shed  
Top Station Road  
Brackley  
NN13 7UG  
Tel: 0845 1308060  
Fax: 01280 845345  
Web: [www.caterparts.com](http://www.caterparts.com)

**Copyright Notice:** All rights reserved. No parts of this manual may be reproduced in any form without express written permission of Maidaid-Halcyon (A trading name of Buttress Group Ltd)

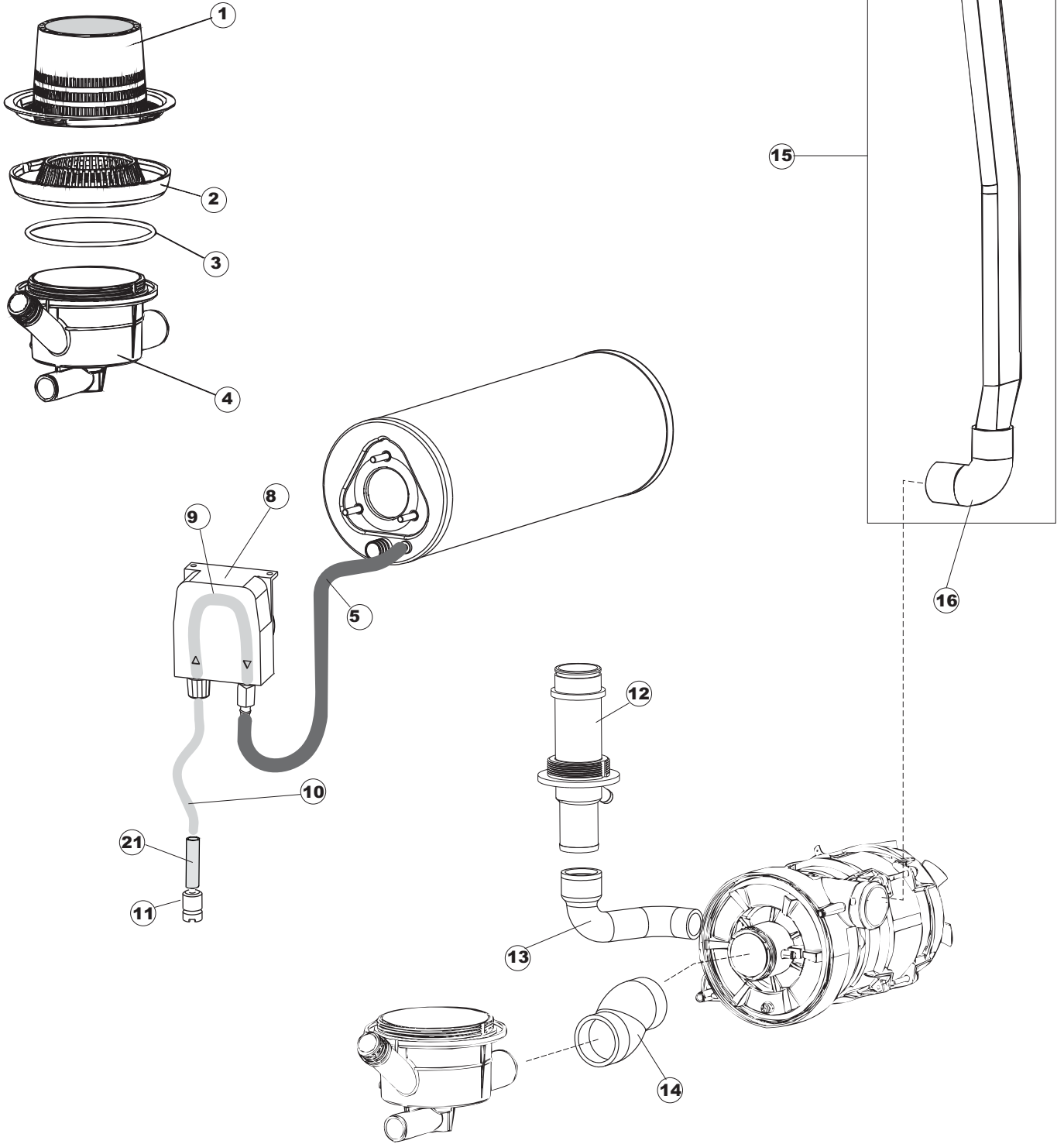
# 1



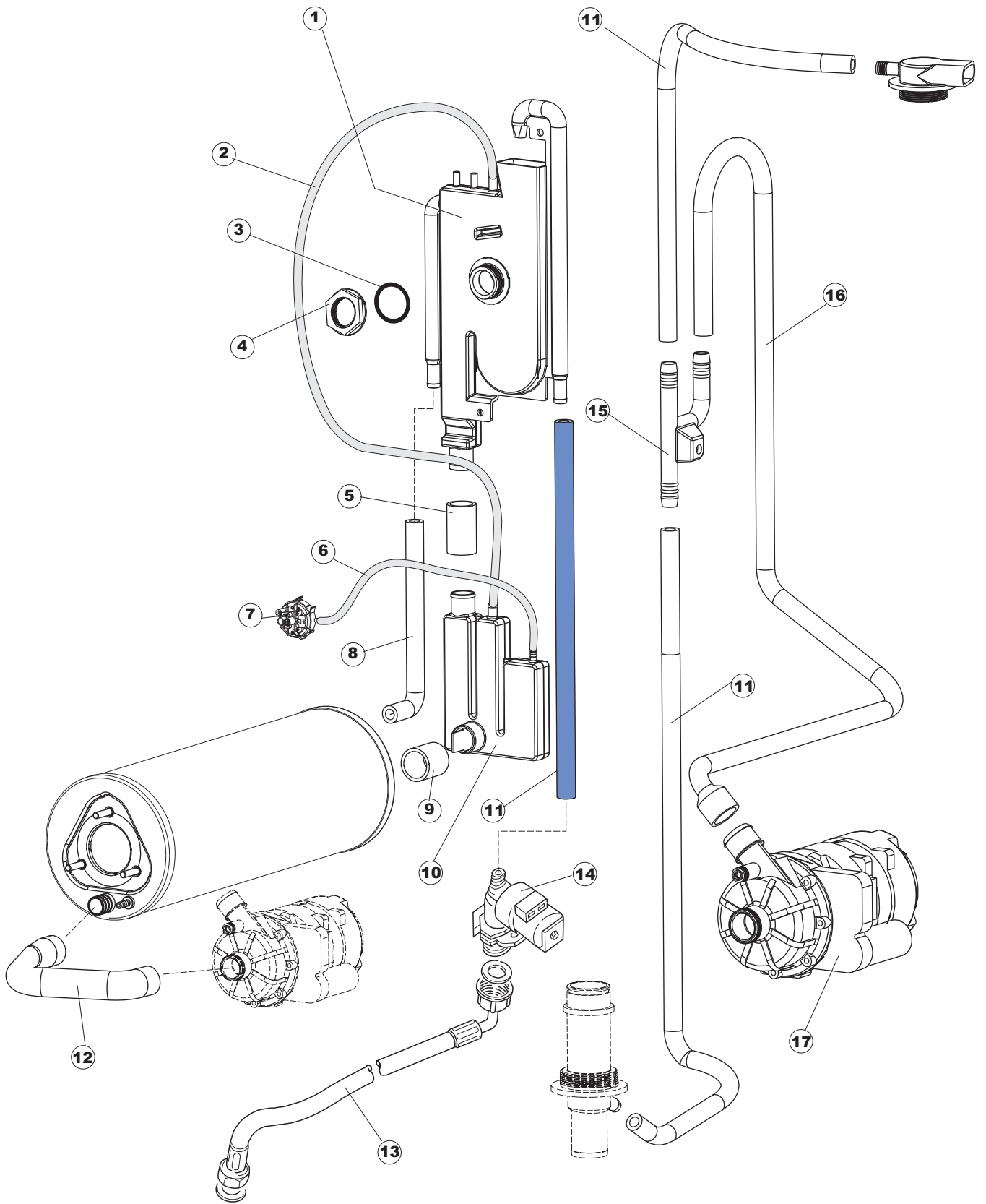
Page	Ref	Part Code	Description
1	1	MH103891	TOP COVER
1	2	MH103892	SIDE PANEL L/H
1	3	MH103893	SIDE PANEL R/H
1	4	MH103946	BACK PANEL
1	5	MH103894	BRACKET
1	6	MH104619	DISPLAY PANEL
1	7	MH103947	COMPLETE DOOR
1	8	MH103897	HINGE-PIVOT CENTERING BLOCK
1	9	MH104618	FRONT PANEL – LOWER
1	10	MH101964	BALANCE SPRING FOR DOOR COUNTER
1	11	MH103896	STOP FOR HINGE
1	12	MH103898	BRACKET
1	13	MH103951	GASKET FOR DOOR
1	14	MH103949	DOOR SPRING ASSEMBLY R/H
1	15	MH103950	DOOR SPRING ASSEMBLY L/H
1	16	MH103899	SPRING FOR DOOR HINGE
1	17	MH103952	DOOR ROD STOP
1	19	MH100459	MACHINE FOOT
1	20	MH100347	CABLE GLAND
1	21	MH100457	CABLE GROMMET
1	25	MH104620	PANEL CLOSURES



Page	Ref	Part Code	Description
2	1	MH103900	FLAT CABLE
2	2	MH101355	NUT M3 – WHITE PLASTIC
2	3	MH101059	PCB LOCATION SPACER
2	4	MH104600	DISPLAY PCB
2	5	MH100377	DOOR SWITCH
2	7	MH104621	FASCIA
2	8	MH104431	ELEMENT 2.1Kw 230V c/w GASKET
2	10	MH100370	GASKET FOR WASH TANK ELEMENT
2	11	MH103912	PROTECTION
2	12	MH100262	TERMINAL BLOCK 6 POLE
2	13	MH100481	CABLE STOP – BLACK
2	15	MH100368	CONTACT THERMOSTAT 98deg. C SAFETY TYPE
2	16	MH103821	CONTACT THERMOSTAT 90deg. C
2	18	MH100599	GASKET FOR RINSE ELEMENT
2	19	MH103715	TEMPERATURE PROBE – WASH/RINSE CYCLE
2	20	MH103726	PROBE HOLDER FOR THERMOSTAT
2	21	MH101070	BOILER ELEMENT PROTECTION
2	23	MH100598	ELEMENT FOR BOILER 6.5Kw 240V
2	24	MH103983	BOILER
2	25	MH100976	PLASTIC PROTECTION FOR ELECTRICS
2	26	MH104502	CONTACTOR 240V 50/60Hz
2	28	MH104546	PCB MAIN BOARD
2	29	MH100282	FUSE 100ma 5x20T
2	30	MH100281	FUSE 2A 5x20T
2	31	MH100580	FUSE 4A
2	32	MH103909	O-RING
2	33	MH103954	CONNECTION NUT FOR AIR GAP
2	34	MH100353	TUBE FOR PRESSURE SWITCH 4x7mm (per.mtr)
2	35	MH104606	ELECTRONIC PRESSURE SWITCH
2	36	MH100679	PROBE FIXING PLATE
2	37	MH104325	BOTTLE WEIGHT & FILTER
2	38	MH103789	INTERNAL TUBE 6x10mm (MICRODOS)
2	39	MH103979	DETERGENT PUMP 3l/h (SEKO)
2	40	MH101089	TUBE 4x6mm (per.mtr)
2	41	MH104266	DETERGENT ELBOW METAL M12
2	43	MH104622	PCB MOUNT
2	44	MH104594	SOFT START-PCB BOARD
2	48	MH100363	TUBING BOTTLE SUPPORT
2	49	MH104623	FASCIA
2	50	MH103822	PLASTIC PROTECTION for ELECTRICS 550x220mm
2	51	MH103823	PROTECTIVE COVER

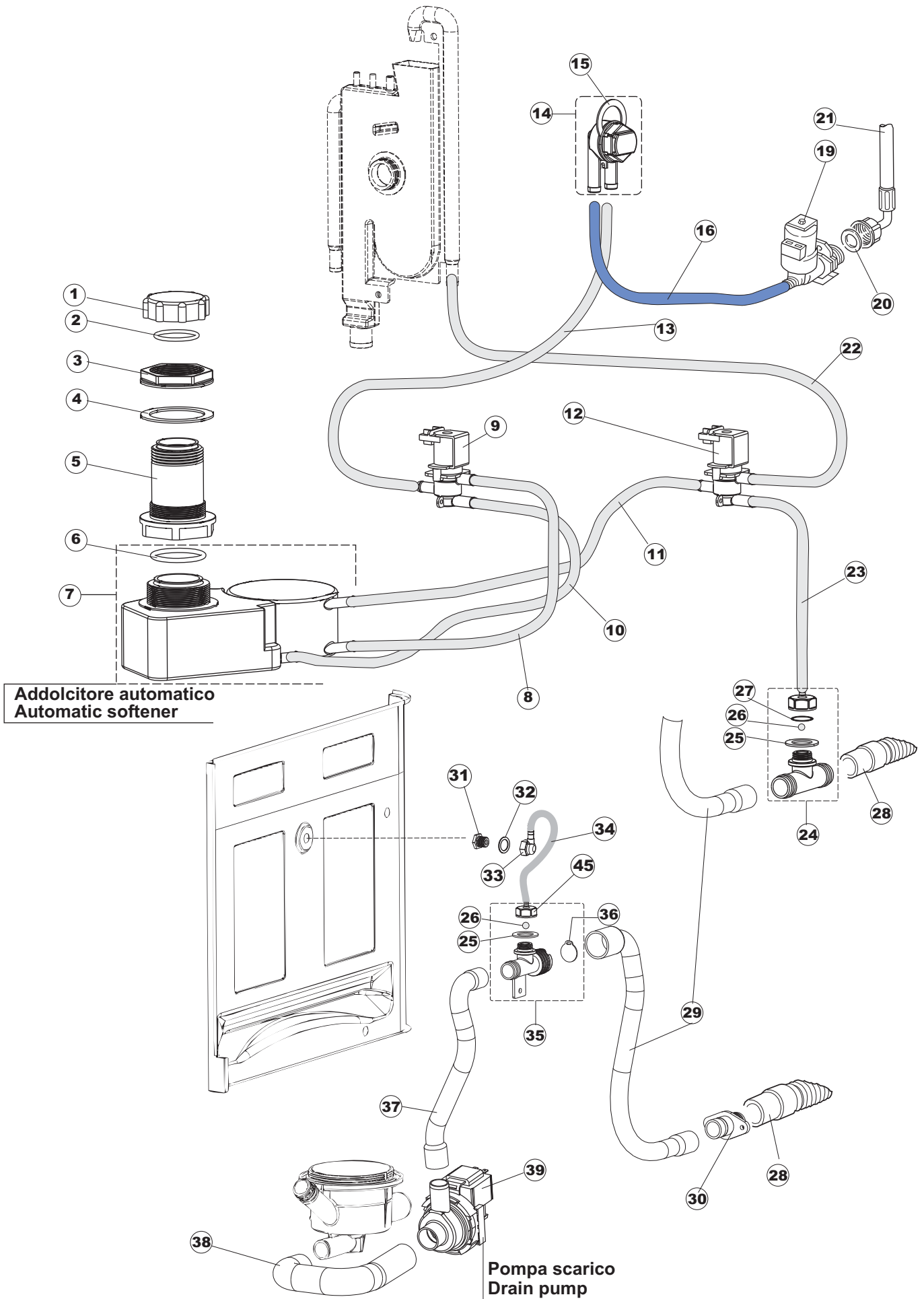


Page	Ref	Part Code	Description
3	1	MH103984	FILTER ASSEMBLY
3	2	MH103918	RING NUT BODY – INLET & DRAIN
3	3	MH103919	O-RING
3	4	MH103920	ASPIRATION & DRAIN BODY
3	5	MH104388	TUBE 5x11mm – PRESSURE SWITCH
3	8	MH103986	PERISTALTIC RINSE AID PUMP (SEKO)
3	9	MH103835	INTERNAL TUBE (MICRODOS)
3	10	MH100745	RINSE AID TUBE 4x6mm –BLUE 1Mtr.
3	11	MH104325	BOTTLE WEIGHT & FILTER
3	12	MH103931	BOTTOM WASH / RINSE SUPPORT COLUMN
3	13	MH103930	RUBBER TBE
3	14	MH103926	ASPIRATION HOSE
3	15	MH103925	WASH TUBE – WELDED PLASTIC
3	16	MH103955	WASH CONNECTION ELBOW
3	21	MH100363	TUBING BOTTLE SUPPORT

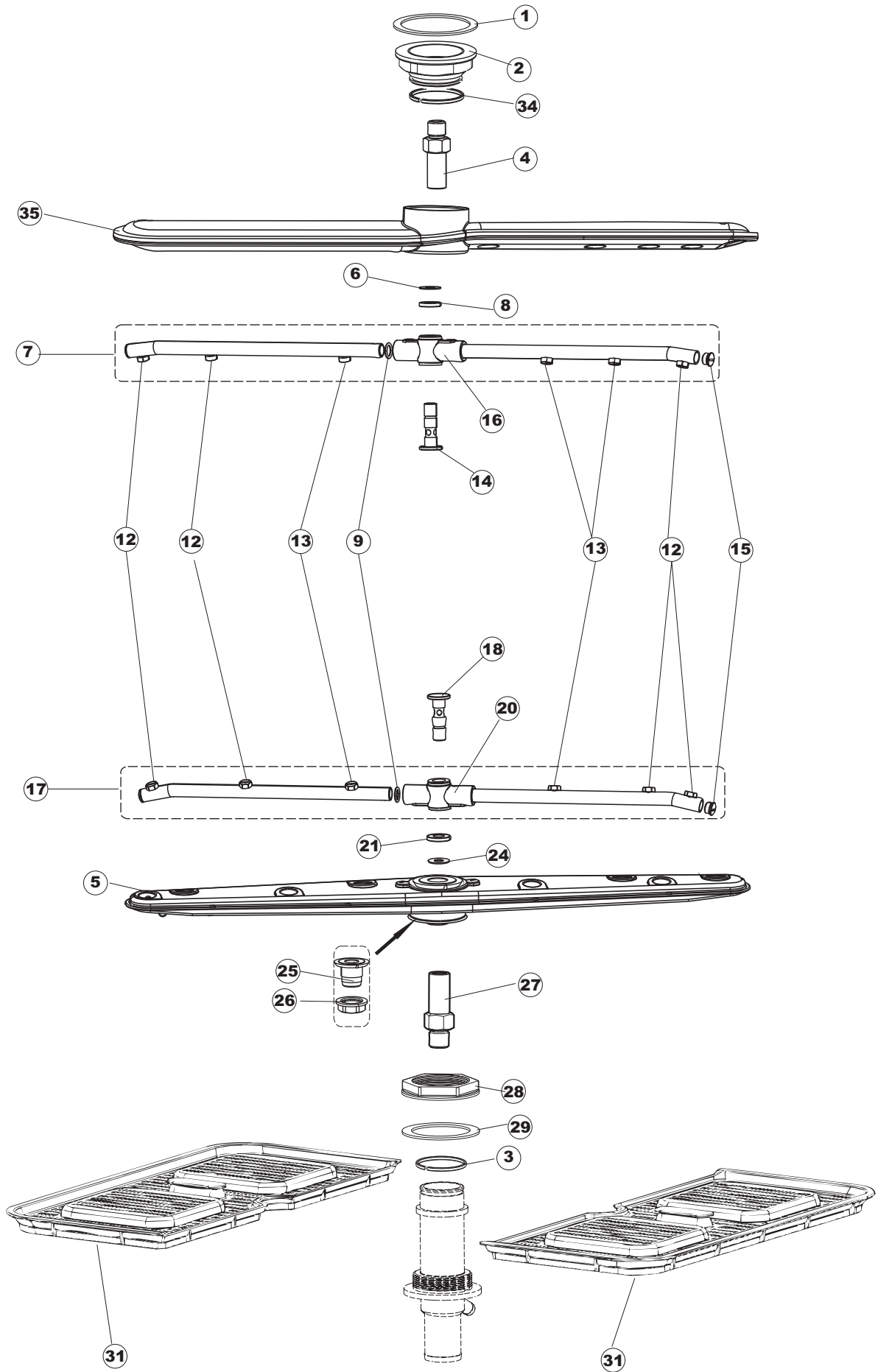




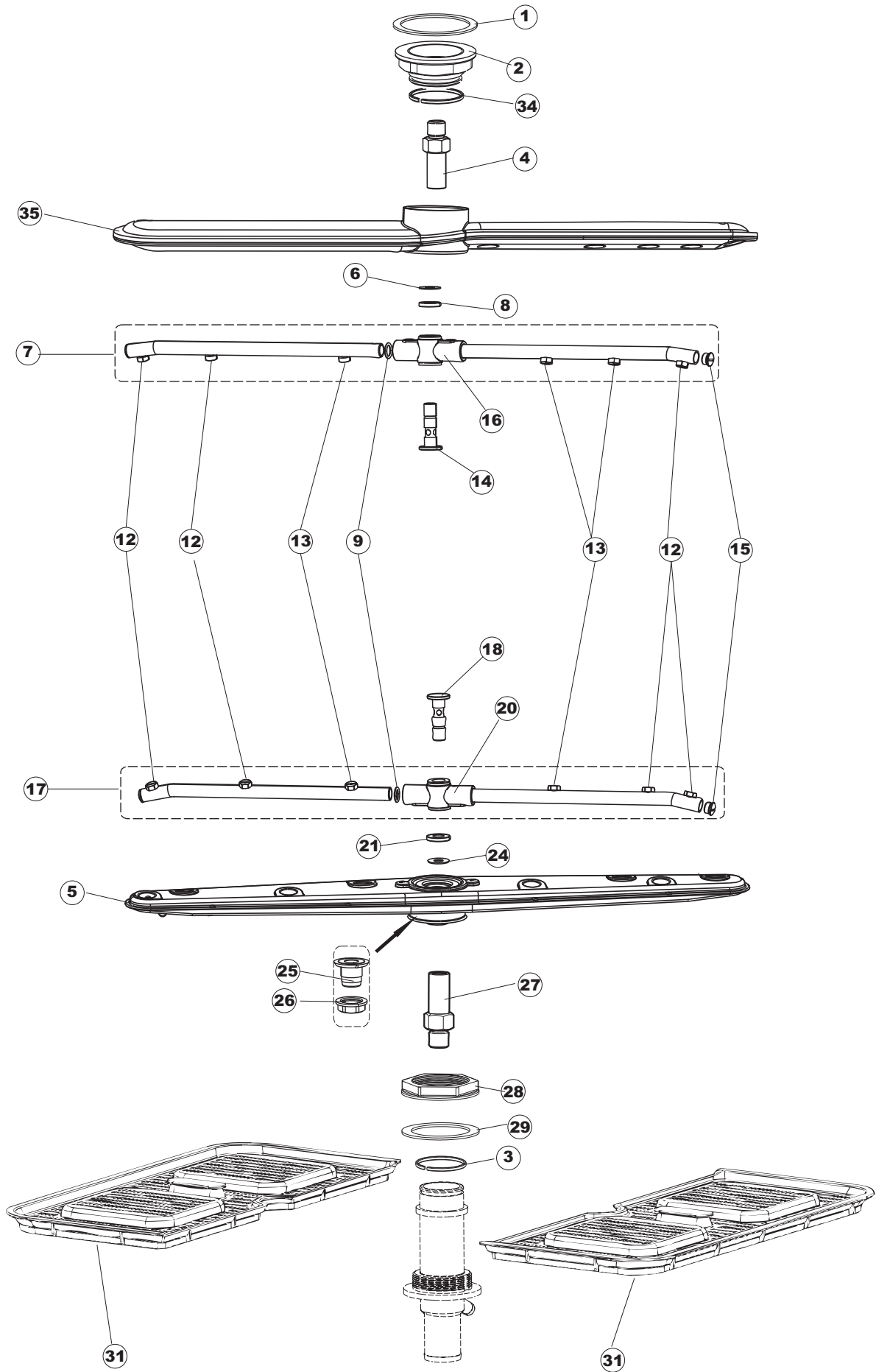
Page	Ref	Part Code	Description
4	1	MH103998	AIR GAP- PLASTIC
4	2	MH102695	TUBE 6x9mm (per Mtr)
4	3	MH103996	GASKET – RUBBER
4	4	MH103995	NUT – PLASTIC
4	5	MH103994	RUBBER TUBE
4	6	MH100353	TUBE 4x7mm FOR PRESSURE SWITCH (per Mtr)
4	7	MH103987	PRESSURE SWITCH 35/22
4	8	MH103988	RUBBER TUBE
4	9	MH103991	RUBBER TUBE
4	10	MH103990	BOILER PRESSURE CHAMBER
4	11	MH102166	TUBE WRAS APPROVED (per Mtr)
4	12	MH103989	ASPIRATION HOSE
4	13	MH101144	INLET TUBE ¾”
4	14	MH100380	SOLENOID VALVE SINGLE STRAIGHT 11.5mm
4	15	MH100584	CONNECTOR 3 WAY – RINSE
4	16	MH103993	RUBBER TUBE
4	17	MH103992	BOOSTER PUMP



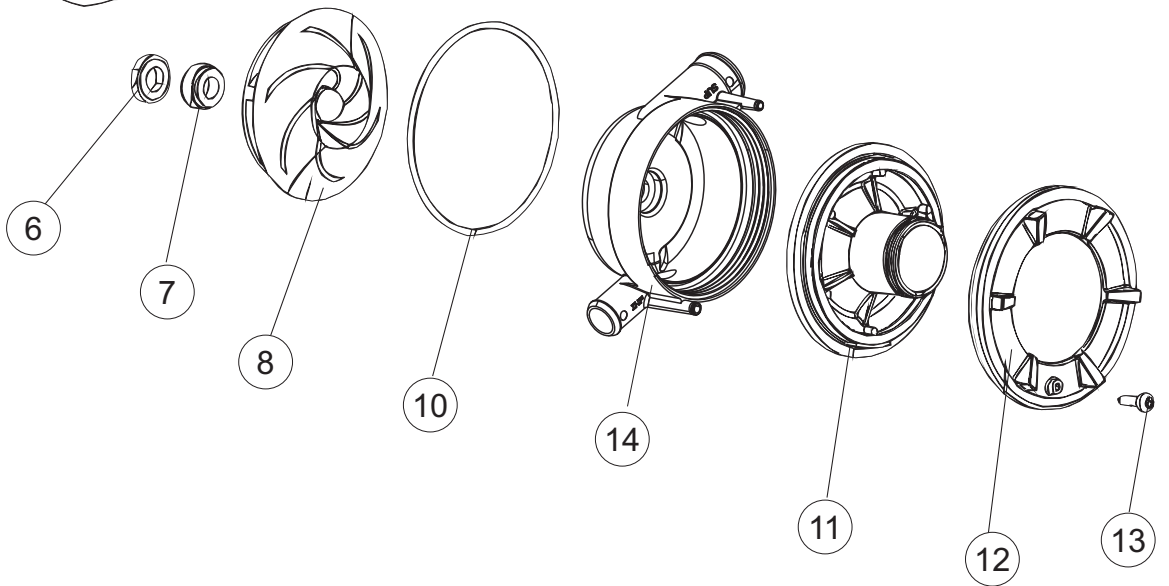
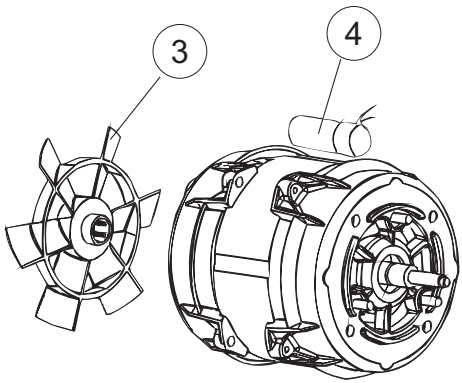
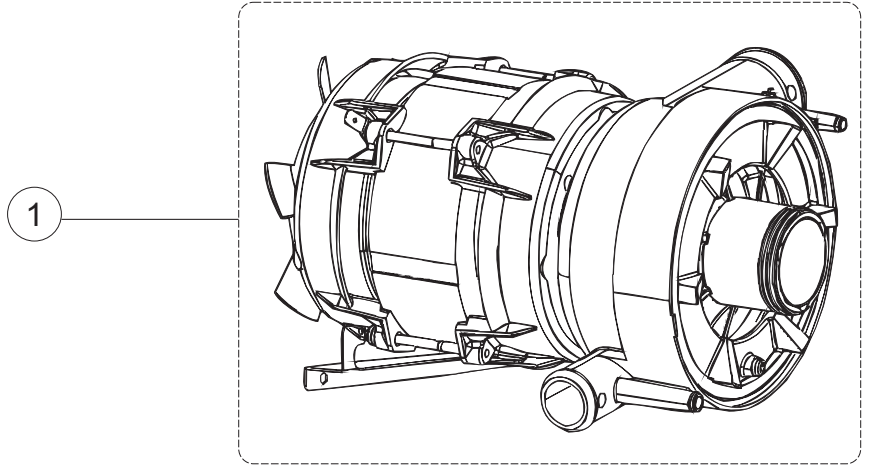
Page	Ref	Part Code	Description
5	1	MH103447	PLUG FOR SALT CONTAINER
5	2	MH101943	O-RING
5	3	MH103941	RING NUT – WASH / RINSE SUPPORT COLUMN
5	4	MH103942	GASKET – WASH / RINSE SUPPORT COLUMN
5	5	MH103999	CONNECTION FOR SALT CONTAINER
5	6	MH100288	O-RING
5	7	MH104000	INTERNAL WATER SOFTENER
5	8	MH100265	TUBE – RUBBER
5	9	MH103824	SOLENOID VALVE 3 WAY
5	10	MH104171	TUBE FOR WATER SOFTENER
5	11	MH100263	TUBE – RUBBER
5	12	MH104002	SOLENOID VALVE –TRIPLE NO RESTRICTOR
5	13	MH100500	TUBE – SOLENOID TO BREAKTANK
5	14	MH104488	AIR BREAK
5	15	MH100444	GASKET FOR TOP WASH FEED
5	16	MH102166	TUBE WRAS APPROVED (per Mtr)
5	19	MH101473	SOLENOID VALVE – SINGLE
5	20	MH100379	WASHER S641 EXPO
5	21	MH101144	INLET HOSE WRAS APPROVED
5	22	MH104003	TUBE – RUBBER
5	23	MH100172	TUBE – RUBBER
5	24	MH104019	DRAIN 'T' CONNECTION FOR SOFTENER
5	25	MH103933	RUBBER GASKET
5	26	MH103932	VALVE SPHERE
5	27	MH100488	O-RING
5	28	MH100355	DRAIN HOSE L=2450mm D=22mm
5	29	MH103935	TUBE – RUBBER
5	30	MH100511	CONNECTOR FOR DRAIN PUMP HOSE
5	31	MH103922	NUT
5	32	MH100399	GASKET
5	33	MH100398	RINSE ELBOW – TOP
5	34	MH104484	PVC TUBE 10x14
5	35	MH104592	ANTI SYPHON VALVE
5	36	MH103934	MEMBRANE
5	37	MH103936	TUBE – RUBBER
5	38	MH103939	TUBE – RUBBER
5	39	MH100595	DRAIN PUMP 50Hz
5	45	MH104438	DRAIN CONNECTION



Page	Ref	Part Code	Description
6	1	MH104440	GASKET
6	2	MH101115	CENTRAL NUT
6	3	MH100615	SPLIT RING
6	4	MH104503	SPINDLE FOR WASH ARM
6	5	MH103831	WASH ARM
6	6	MH103844	GASKET – TEFLON
6	7	MH104607	RINSE ARM - COMPLETE
6	8	MH103846	THUMB NUT
6	9	MH100414	O-RING
6	12	MH103848	RINSE JET ST/ST
6	13	MH103849	RINSE JET ST/ST
6	14	MH103889	SPINDLE FOR RINSE ARM – UPPER
6	15	MH104129	END PLUG FOR RINSE ARM
6	16	MH104602	CENTRE BOSS FOR RINSE ARM – UPPER
6	17	MH104608	RINSE ARM - COMPLETE
6	18	MH104129	SPINDLE FOR RINSE ARM – LOWER
6	20	MH104603	BOSS – RINSE ARM – LOWER
6	21	MH104132	THUMB NUT
6	24	MH104135	GASKET – TEFLON
6	25	MH102273	UNION NUT
6	26	MH102229	RING NUT
6	27	MH104136	SPINDLE - LOWER WASH TANK
6	28	MH103941	RING NUT – WASH/RINSE SUPPORT COLUMN
6	29	MH103942	GASKET– WASH/RINSE SUPPORT COLUMN
6	31	MH104593	SCRAP TRAY FILTER
6	34	MH100087	O-RING
6	35	MH104377	WASH ARM L=465mm 10 JETS



Page	Ref	Part Code	Description
7	1	MH104440	GASKET
7	2	MH101115	CENTRAL NUT
7	3	MH100615	SPLIT RING
7	4	MH104503	SPINDLE FOR WASH ARM
7	5	MH103831	WASH ARM
7	6	MH103844	GASKET – TEFLON
7	7	MH104609	RINSE ARM – COMPLETE
7	8	MH104610	THUMB NUT
7	9	MH100414	O-RING
7	12	MH104611	RINSE JET – ST/ST
7	13	MH104612	RINSE JET – ST/ST
7	14	MH104613	SPINDLE – RINSE ARM – UPPER
7	15	MH104614	END PLUG for RINSE ARM
7	16	MH104602	CENTRE BOSS FOR RINSE ARM – UPPER
7	17	MH104615	RINSE ARM – COMPLETE
7	18	MH104616	SPINDLE – RINSE ARM – LOWER
7	20	MH104603	BOSS – RINSE ARM - LOWER
7	21	MH104617	THUMB NUT
7	24	MH104135	GASKET – TEFLON
7	25	MH102273	UNION NUT
7	26	MH102229	RING NUT
7	27	MH104136	SPINDLE - LOWER WASH TANK
7	28	MH103941	RING NUT – WASH/RINSE SUPPORT COLUMN
7	29	MH103942	GASKET– WASH/RINSE SUPPORT COLUMN
7	31	MH104593	SCRAP TRAY FILTER
7	34	MH100087	O-RING
7	35	MH104377	WASH ARM L=465mm 10 JETS





<b>Page</b>	<b>Ref</b>	<b>Part Code</b>	<b>Description</b>
8	1	MH104536	WASH PUMP
8	3	MH103959	COOLING FAN BLADE
8	4	MH102172	CAPACITORV10Mf
8	6	MH103960	LOCK for SHAFT SEAL
8	7	MH103961	ROTATING SHAFT SEAL
8	8	MH103962	IMPELLER
8	10	MH103963	SEAL for WASH PUMP HOUSING
8	11	MH103964	FRONT PLATE
8	12	MH103965	LOCKING RING – FRONT PLATE
8	13	MH103966	SCREW
8	14	MH104483	FRONT COVER IMPELLER HOUSING