



EVO401 & EVO405WS PARTS BOOK

From S/N: 2752326

18-02-2013

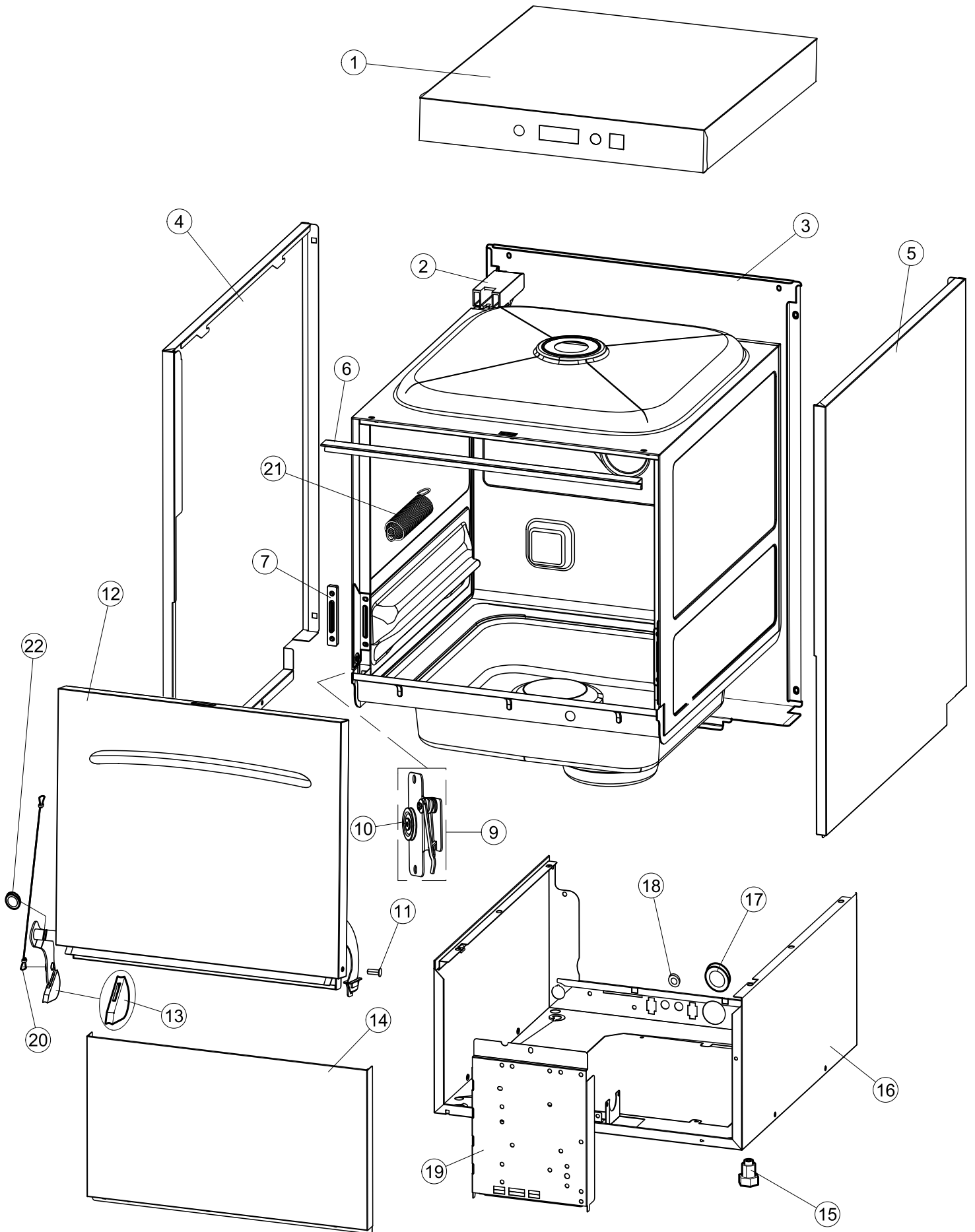
All spares available from



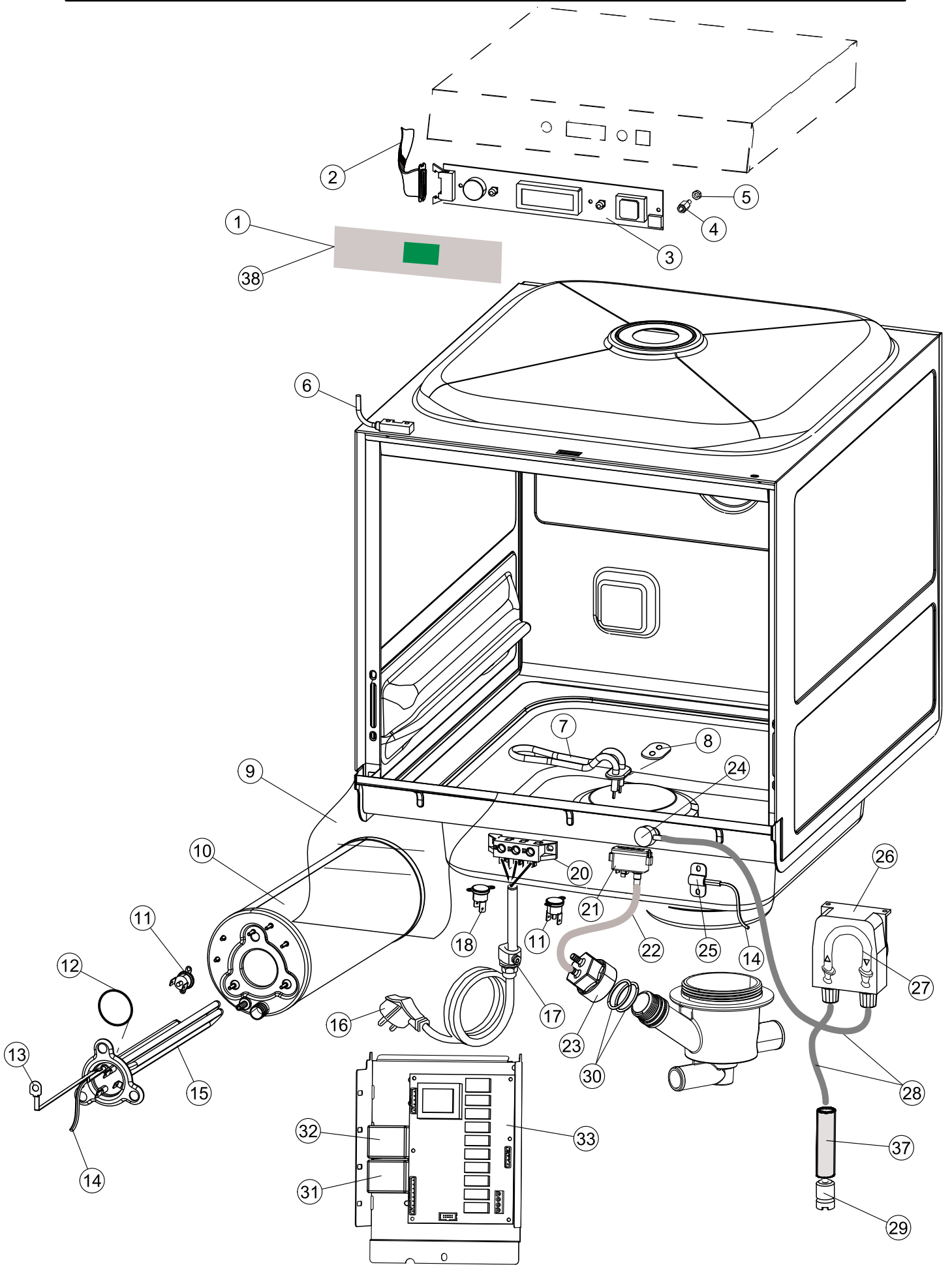
The Engine Shed
Top Station Road
Brackley
NN13 7UG
Tel: 0845 1308060
Fax: 01280 845345
Web: www.caterparts.com

Copyright Notice: All rights reserved. No parts of this manual may be reproduced in any form without express written permission of Maidaid-Halcyon (A trading name of Buttress Group Ltd)

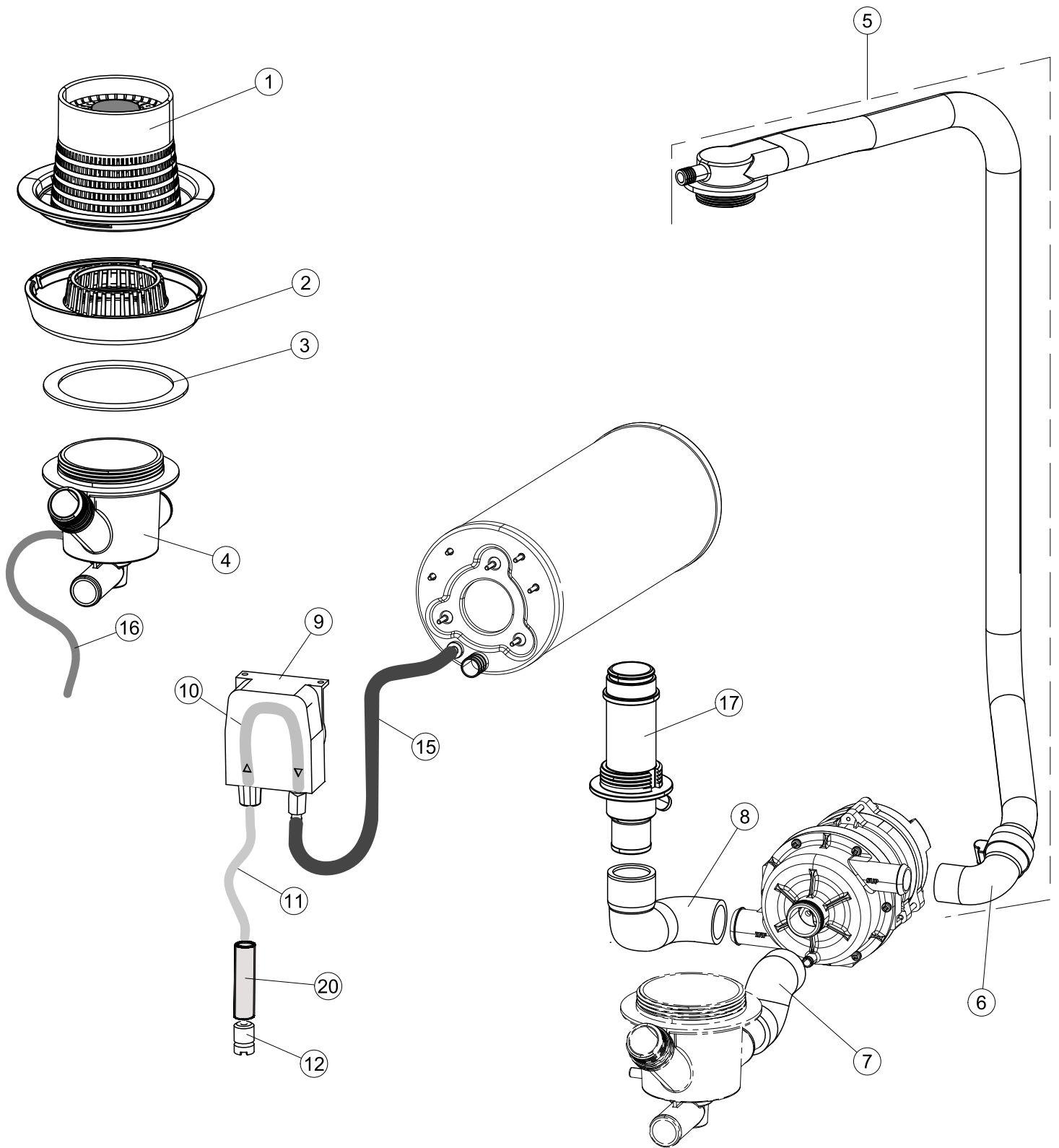
1



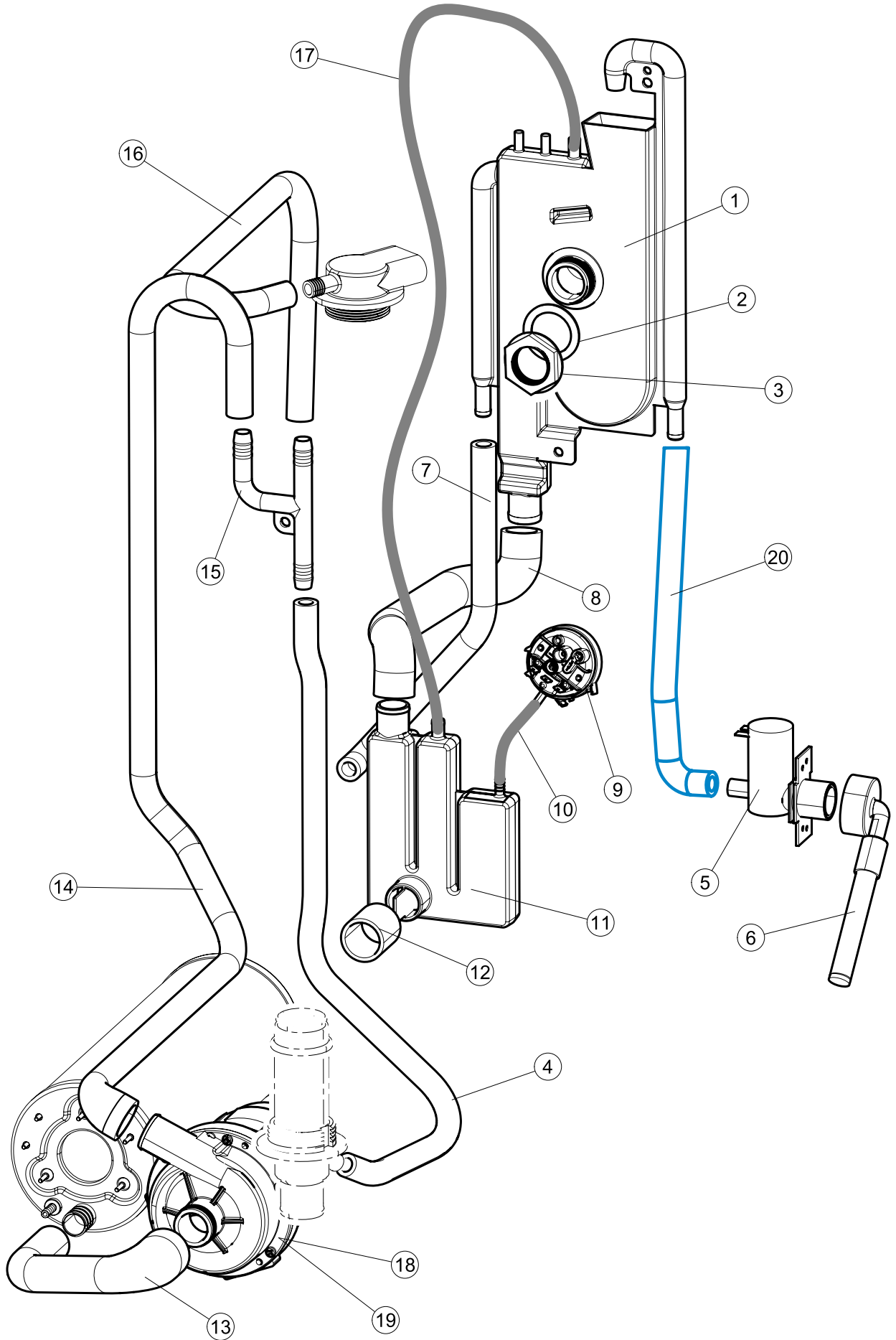
Page	Ref	Part Code	Description
1	1	MH104626	TOP PANEL
1	2	MH104414	BRACKET
1	3	MH104415	REAR PANEL
1	4	MH104416	SIDE PANEL L/H
1	5	MH104417	SIDE PANEL R/H
1	6	MH104418	DOOR GASKET
1	7	MH104419	DOOR ROD STOP
1	9	MH104627	COUNTER BALANCE SPRING PLATE
1	10	MH104421	PULLEY WHEEL
1	11	MH100432	PIN for DOOR HINGE
1	12	MH104422	DOOR
1	13	MH104423	STOP for HINGE
1	14	MH104599	FRONT PANEL – LOWER
1	15	MH100348	MACHINE FOOT
1	16	MH104425	MACHINE BASE
1	17	MH104426	CABLE GROMMET
1	18	MH100347	CABLE GLAND
1	19	MH104427	SWITCH BOARD PLATE
1	20	MH104428	CABLE for DOOR RETURN
1	21	MH104429	DOOR HINGE
1	22	MH104430	GASKET for DOOR HINGE



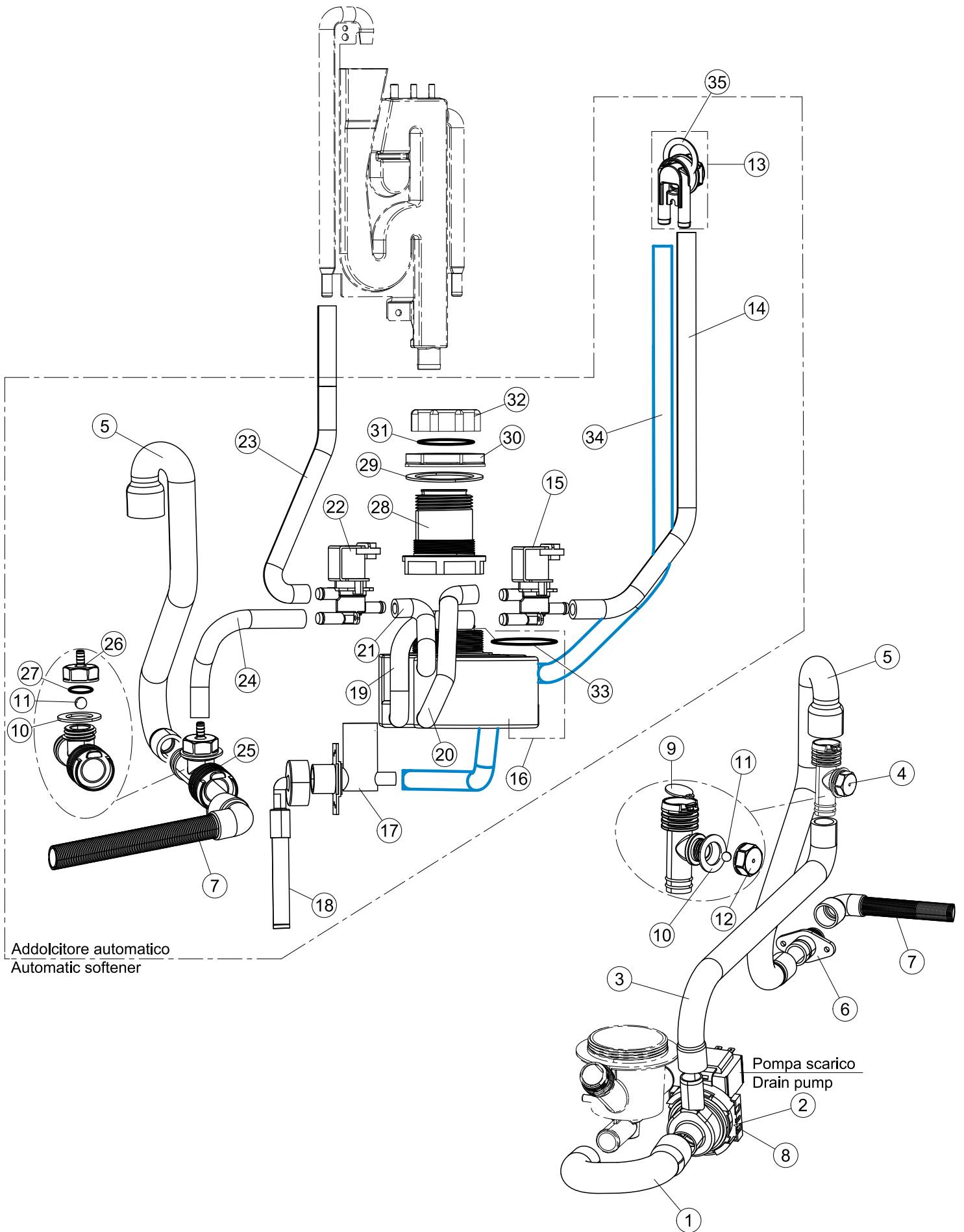
Page	Ref	Part Code	Description
2	1	MH104628	FASCIA
2	2	MH103725	RIBBON CABLE
2	3	MH104600	DISPLAY PCB
2	4	MH101059	PCB LOCATION SPACER
2	5	MH101355	NUT M3 – WHITE PLASTIC
2	6	MH100377	DOOR SWITCH
2	7	MH104431	ELEMENT 2.1Kw 230V c/w GASKET – WASH TANK
2	8	MH100370	GASKET for WASH TANK ELEMENT L=46mm W=22mm
2	9	MH103822	PLASTIC PROTECTION for ELECTRICS 550x220mm
2	10	MH104432	BOILER
2	11	MH100368	SAFETY THERMOSTAT 95deg. C – WASH TANK
2	12	MH101357	O-RING for BOILER ELEMENT
2	13	MH103726	PROBE HOLDER for THERMOSTAT
2	14	MH103715	TEMPERATURE PROBE – WASH or RINSE
2	15	MH101358	ELEMENT 2.6Kw 230Vc/w GASKET – TRIANGULAR FLANGE
2	16	MH102221	MAINS POWER CABLE WITH PLUG
2	17	MH100481	CABLE STOP – BLACK
2	18	MH101800	CONTACT THERMOSTAT 80deg. C – BOILER
2	20	MH100975	CONNECTOR BLOCK 3 POLE
2	21	MH104601	ELECTRONIC PRESSURE SWITCH
2	22	MH100353	TUBE 4x7mm (per Mtr.) for PRESSURE SWITCH
2	23	MH103954	CONNECTION NUT for AIR BOX
2	24	MH104266	DETERGENT ELBOW M12 – METAL
2	25	MH100679	PROBE FIXING PLATE
2	26	MH104543	PERISTALTIC DETERGENT PUMP (NOT TIMED)
2	27	MH103789	INTERNAL DETERGENT SQUEEZE TUBE 6x10mm (MICRDOS)
2	28	MH101089	TUBE 4x6mm CLEAR (per Mtr)
2	29	MH104325	BOTTLE WEIGHT & FILTER
2	30	MH103909	O-RING
2	31	MH100573	RELAY 1 POLE 30A AC 230V 4 PIN (FINDER)
2	32	MH103907	RELAY 3 POLE 16A AC 230V 11 PIN (FINDER)
2	33	MH104546	MAIN PCB BOARD
2	37	MH100363	TUBING BOTTLE SUPPORT
2	38	MH104629	FASCIA



Page	Ref	Part Code	Description
3	1	MH104433	FILTER ASSEMBLY
3	2	MH104457	RING NUT BODY – INLET & DRAIN
3	3	MH104458	O-RING
3	4	MH104459	ASPIRATION & DRAIN BODY
3	5	MH104460	WASH PIPELINE – WELDED PLASTIC
3	6	MH104461	WASH CONNECTION
3	7	MH104462	ASPIRATION HOSE
3	8	MH100463	RUBBER HOSE
3	9	MH104547	PERISTALTIC RINSE AID PUMP (NOT TIMED)
3	10	MH103835	INTERNAL RINSE AID SQUEEZE TUBE 6x10mm
3	11	MH100745	TUBE 4x6mm PVC BLUE (1 Mtr. pkt.)
3	12	MH104325	BOTTLE WEIGHT & FILTER
3	15	MH104388	FEED TUBE 5x11mm 100deg. C – RINSE AID BOILER (per Mtr)
3	16	MH102695	TUBE 6x9mm PVC CLEAR (per Mtr)
3	17	MH104464	LOWER CENTRAL PIPELINE
3	20	MH100363	TUBING BOTTLE SUPPORT



Page	Ref	Part Code	Description
4	1	MH103998	BREAK TANK - PLASTIC
4	2	MH103996	RUBBER GASKET
4	3	MH103995	NUT – PLASTIC
4	4	MH100500	TUBE – SOLENOID TO BREAK TANK
4	5	MH104173	SOLENOID VALVE – SINGLE
4	6	MH101144	INLET TUBE ¾”
4	7	MH104465	HOSE
4	8	MH104476	FORMED HOSE
4	9	MH104520	PRESSURE SWITCH 50/30
4	10	MH100353	TUBE 4x7mm – PESSURE SWITCH (per Mtr)
4	11	MH103990	PRESSURE CHAMBER - BOILER
4	12	MH103991	RUBBER HOSE
4	13	MH104467	HOSE
4	14	MH104468	HOSE
4	15	MH100584	CONNECTOR 3 WAY – RINSE
4	16	MH104469	HOSE
4	17	MH102695	TUBE 6x9mm PVC CLEAR (per Mtr)
4	18	MH103992	BOOSTER PUMP 230V 200W c/w CAPACITOR
4	20	MH102166	TUBE WRAS APPROVED (per Mtr)

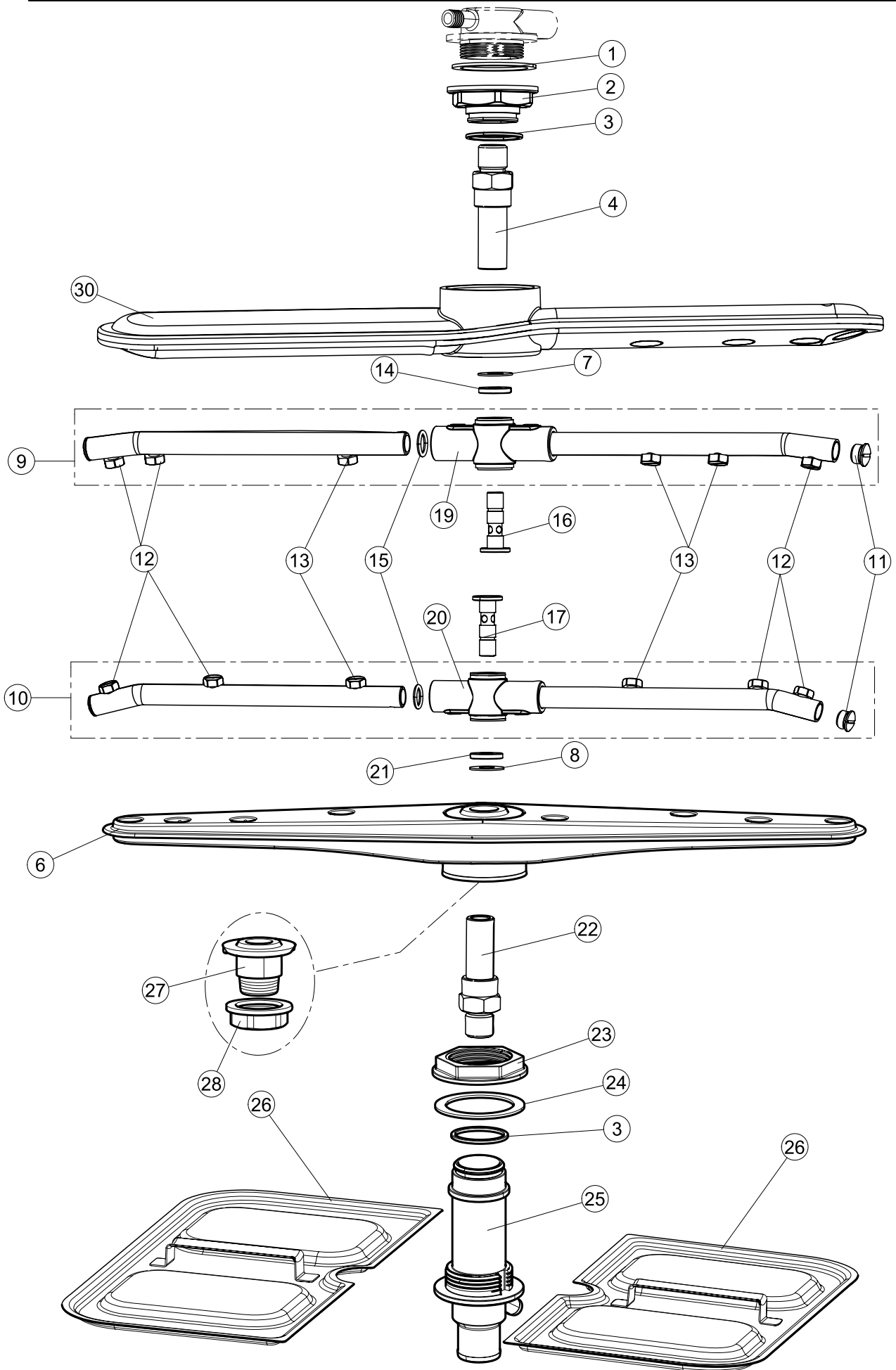


Addolcitore automatico
Automatic softener

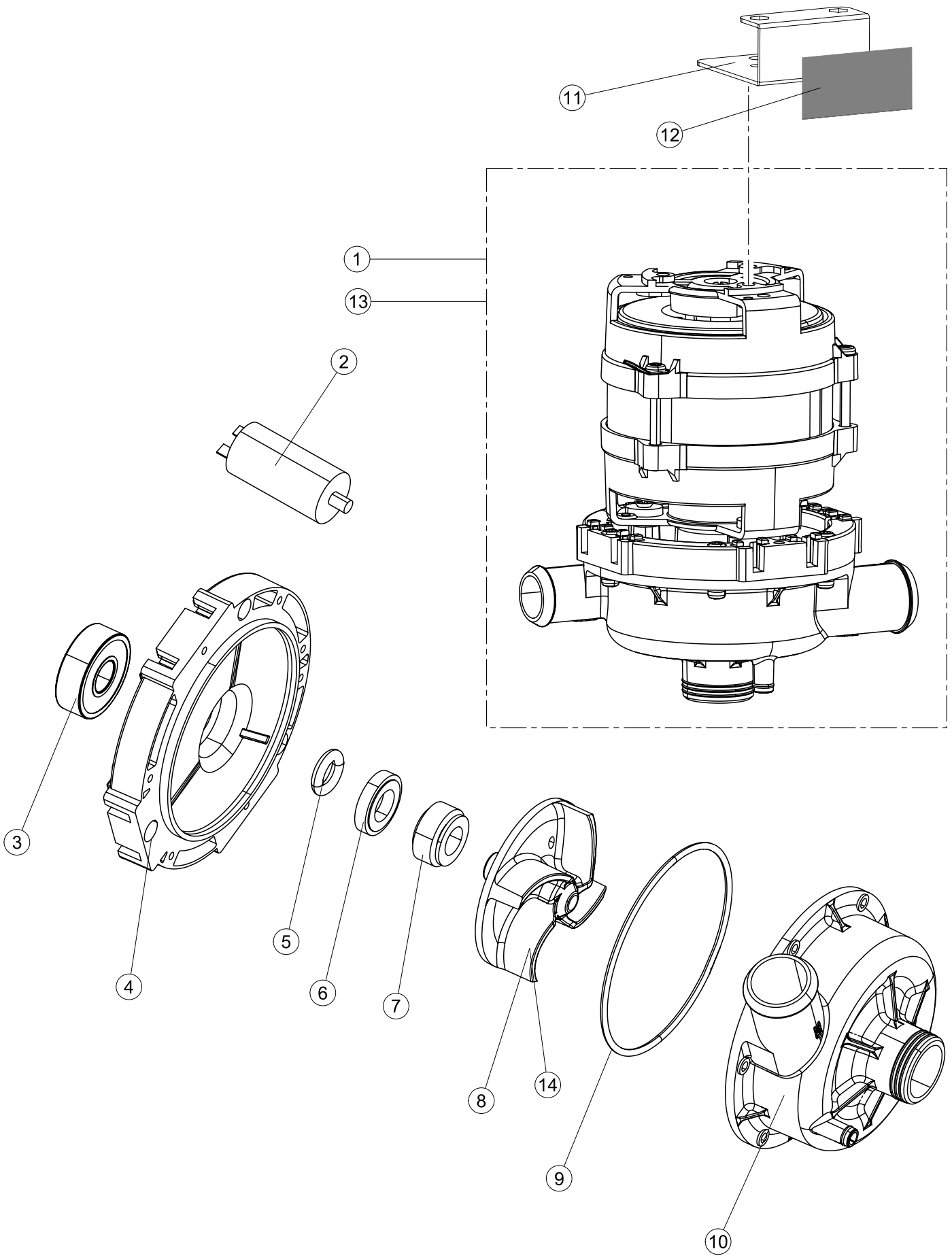
Pompa scarico
Drain pump

Page	Ref	Part Code	Description
5	1	MH104470	HOSE – SUMP TO DRAIN PUMP
5	2	MH104583	DRAIN PUMP 50Hz
5	3	MH104471	HOSE – DRAIN PUMP OUTLET
5	4	MH104472	ANTI SYPHON VALVE
5	5	MH104473	INLET HOSE FROM ANTI SYPHON VALVE
5	6	MH100511	CONNECTOR FOR DRAIN PUMP HOSE
5	7	MH100355	DRAIN HOSE L=2450mm dia. 22mm
5	9	MH103934	MEMBRANE
5	10	MH103933	RUBBER GASKET
5	11	MH103932	VALVE SPHERE
5	12	MH104478	CAP FOR ANTI SYPHON VALVE
5	13	MH104488	AIR BOX
5	14	MH100500	PRESSURE TUBE 10x17mm
5	15	MH103824	SOLENOID VALE 3 WAYS
5	16	MH104000	INTERNAL WATER SOFTENER
5	17	MH104173	SOLENOID VALVE - SINGLE
5	18	MH103733	INLET TUBE ¾" WRAS APPROVED
5	19	MH104434	FORMED HOSE - SOFTENER
5	20	MH104435	FORMED HOSE - SOFTENER
5	21	MH104436	FORMED HOSE - SOFTENER
5	22	MH104002	SOLENOID VALVE TRIPLE – NO RESTRICTOR
5	23	MH104477	FORMED HOSE
5	24	MH104437	HOSE – SOLENOID TO DRAIN
5	25	MH104019	DRAIN 'T' CONNECTOR FOR SOFTENER
5	26	MH104438	DRAIN CONNECTION
5	27	MH100488	O-RING
5	28	MH104439	FILL COLUMN – SOFTENER
5	29	MH103942	GASKET – WASH/RINSE SUPPORT COLUMN
5	30	MH103941	RING NUT – WASH/RINSE SUPPORT COLUMN
5	31	MH101943	O-RING
5	32	MH103447	PLUG FOR SALT CONTAINER
5	33	MH100288	O-RING
5	34	MH102166	TUBE WRAS APPROVED (per Mtr)
5	35	MH100444	GASKET FOR TOP WASH FEED

6



Page	Ref	Part Code	Description
6	1	MH104440	GASKET
6	2	MH104441	CENTRAL NUT
6	3	MH100410	GASKET
6	4	MH104503	SPINDLE FOR WASH ARM
6	6	MH104584	LOWER WASH ARM COMPLETE
6	7	MH103844	GASKET – TEFLON
6	8	MH104135	GASKET – TEFLON
6	9	MH104630	RINSE ARM COMPLETE - UPPER
6	10	MH104631	RINSE ARM COMPLETE - LOWER
6	11	MH104126	END PLUG FOR RINSE ARM
6	12	MH103848	RINSE JET ST/ST
6	13	MH103849	RINSE JET ST/ST
6	14	MH103846	THUMB NUT
6	15	MH100414	O-RING
6	16	MH103889	SPINDLE FOR RINSE ARM - UPPER
6	17	MH104129	SPINDLE FOR RINSE ARM – LOWER
6	19	MH104602	SPINDLE FOR RINSE ARM - UPPER
6	20	MH104603	SPINDLE FOR RINSE ARM - LOWER
6	21	MH104132	THUMB NUT
6	22	MH104604	SPINDLE FOR WASH ARM
6	23	MH104442	RING NUT – WASH/RINSE SUPPORT COLUMN
6	24	MH104443	GASKET
6	25	MH104464	LOWER CENTRAL PIPELINE
6	26	MH104445	SCRAP TRAY FILTER – WASH TANK
6	27	MH104586	WASH ARM CENTRE BUSH
6	28	MH102229	RING NUT
6	30	MH104371	WASH ARM L=390mm 8 JETS



Page	Ref	Part Code	Description
7	1	MH104446	WASH PUMP 1 PHASE 230V 190W c/w CAPACITOR
7	2	MH104539	CAPACITOR 4Mf
7	3	MH104447	BEARING
7	4	MH104448	REAR HOUSING
7	5	MH104453	SEAL – PUMP HOUSING
7	6	MH104450	MECHANICAL SEAL
7	7	MH104451	MECHANICAL SEAL
7	8	MH104452	IMPELLER
7	9	MH104449	O-RING
7	10	MH104454	PUMP HOUSING
7	11	MH104455	BRACKET
7	12	MH104456	RUBBER GASKET