



EVO2035WS

PARTS BOOK

From S/N: 4252753

16-05-2013

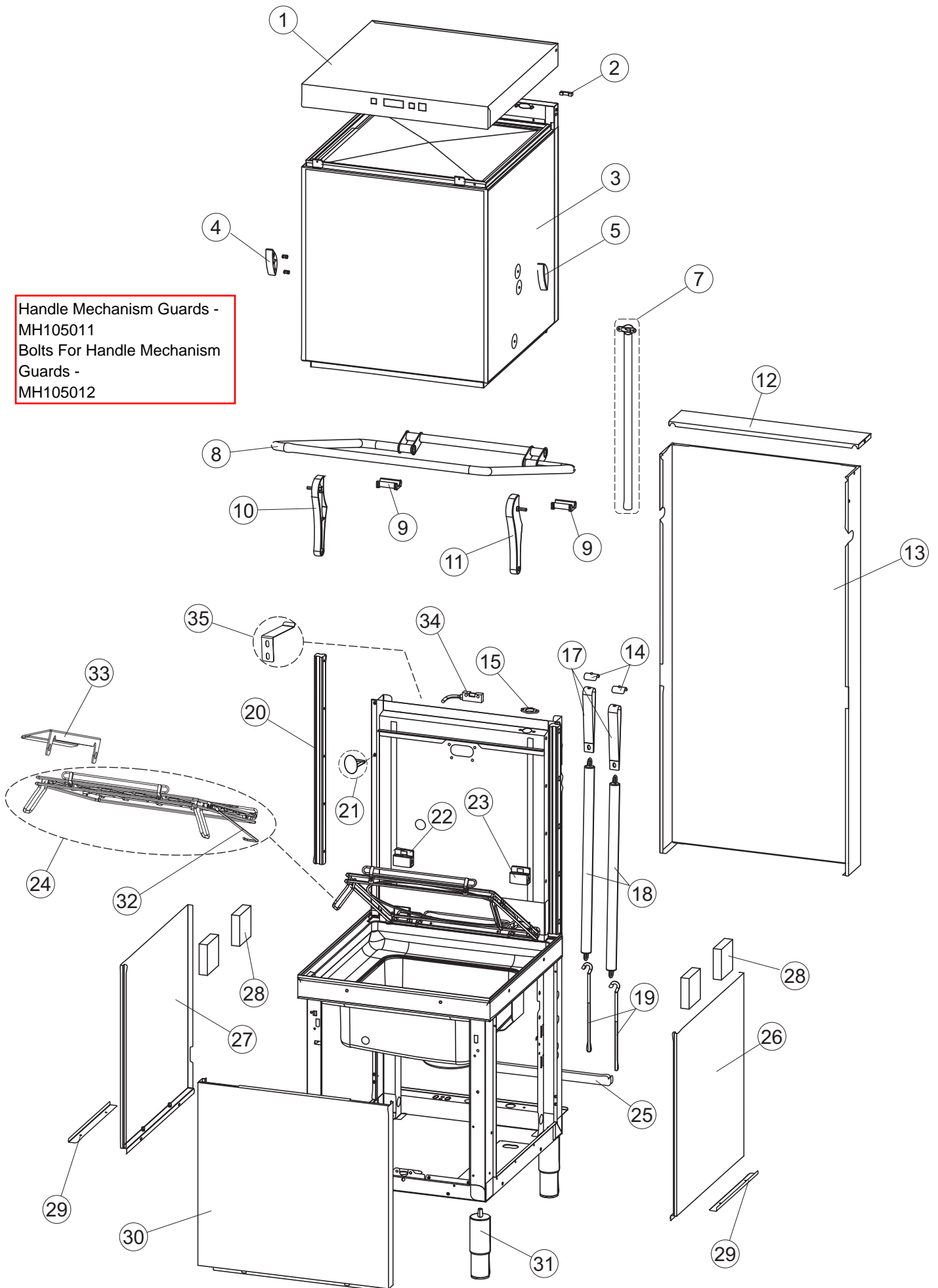
All spares available from



The Engine Shed
Top Station Road
Brackley
NN13 7UG
Tel: 0845 1308060
Fax: 01280 845345
Web: www.caterparts.com

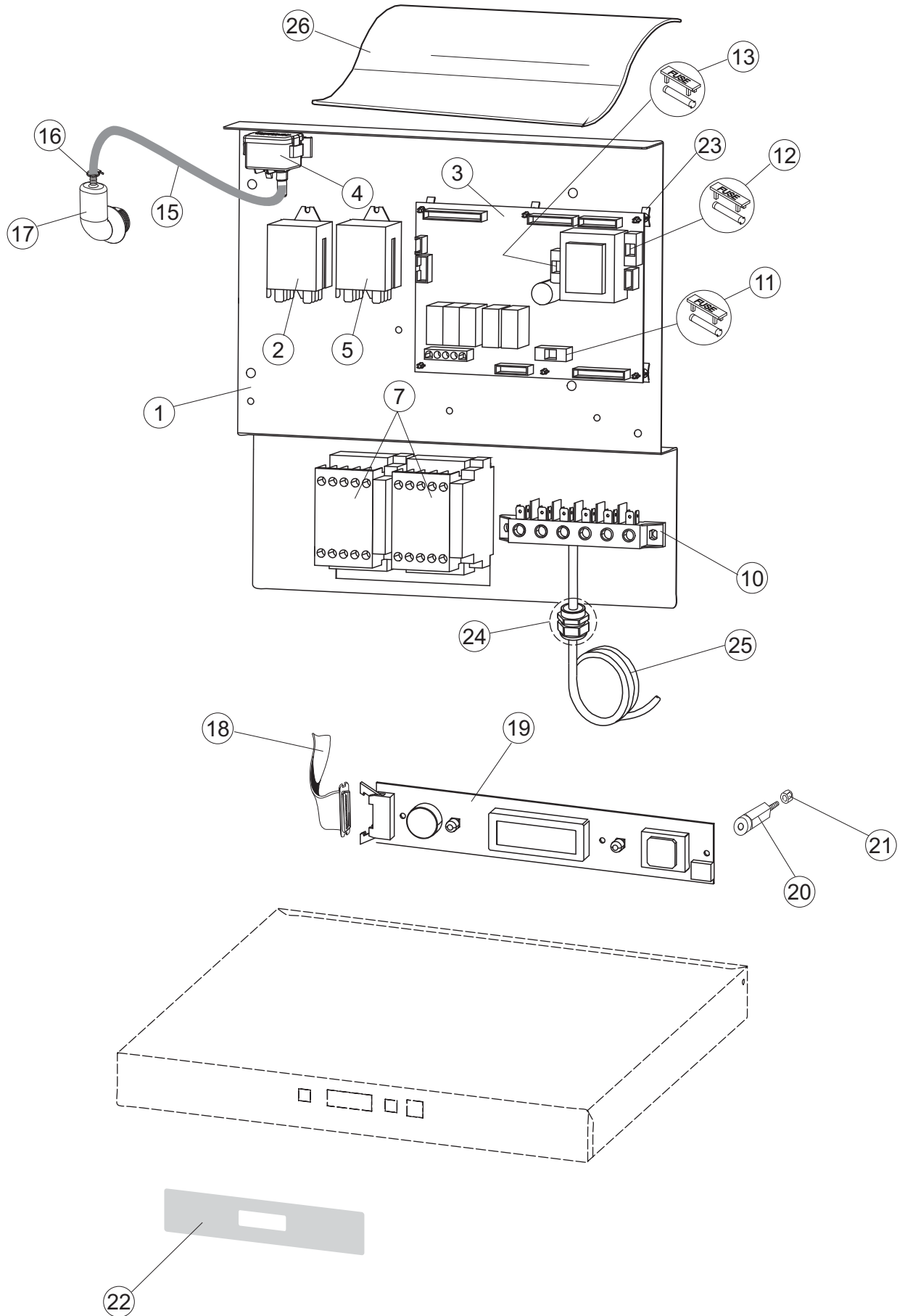
Copyright Notice: All rights reserved. No parts of this manual may be reproduced in any form without express written permission of Maidaid-Halcyon (A trading name of Buttress Group Ltd)

Handle Mechanism Guards -
MH105011
Bolts For Handle Mechanism
Guards -
MH105012

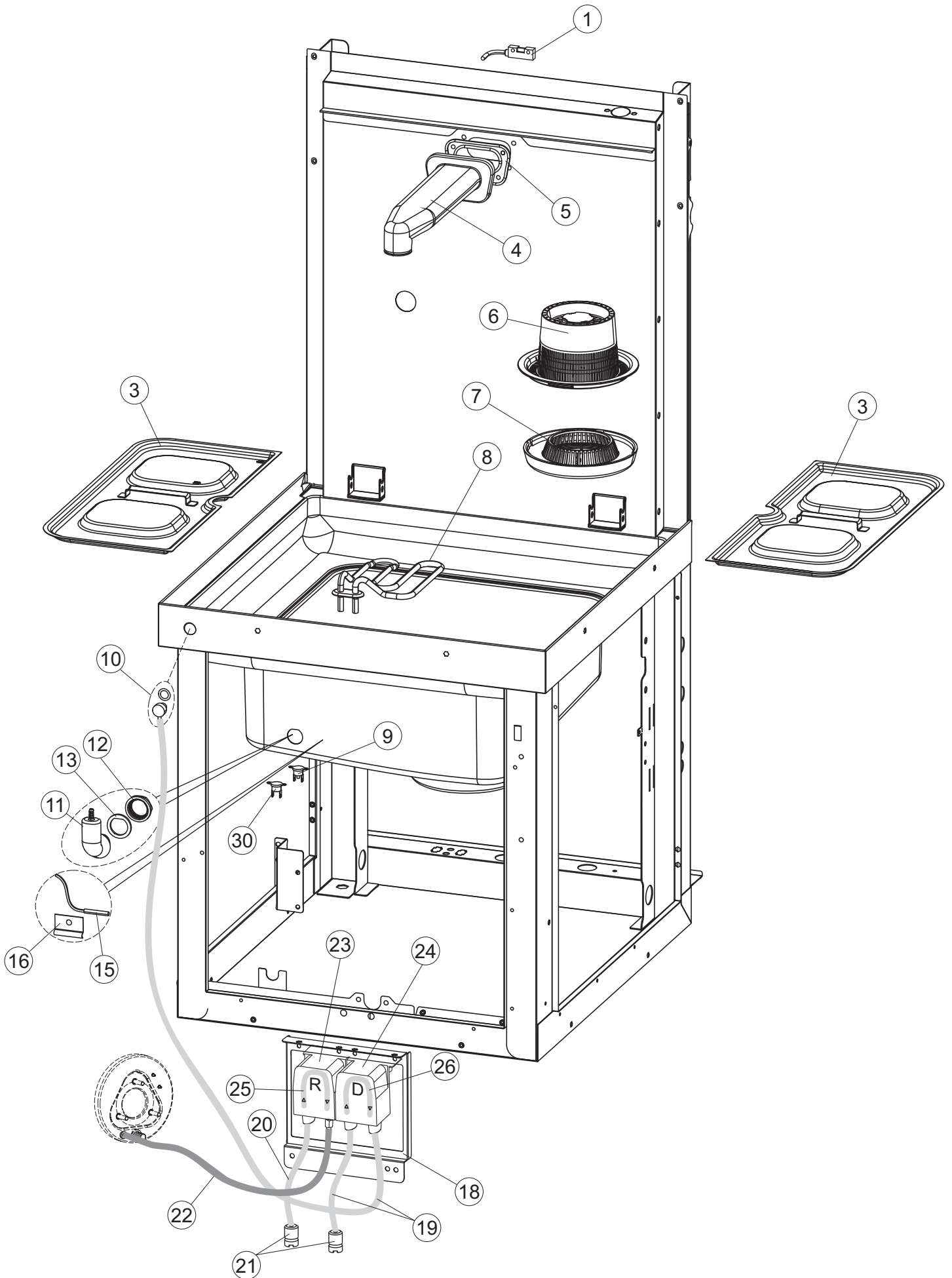


| Page | Ref | Part Code | Description |
|------|-----|-----------|--------------------------------------|
| 1 | 1 | MH104706 | TOP PANEL |
| 1 | 2 | MH101077 | MAGNET for MICROSWITCH |
| 1 | 3 | MH104707 | COMPLETE SQUARE HOOD ASSEMBLY |
| 1 | 4 | MH104662 | BUFFER for HOOD L/H |
| 1 | 5 | MH104663 | BUFFER for HOOD R/H |
| 1 | 7 | MH104646 | RIBBON CABLE GUIDE TUBE |
| 1 | 8 | MH104664 | HOOD HANDLE |
| 1 | 9 | MH104647 | BEARING / SUPPORT – HOOD HANDLE |
| 1 | 10 | MH104665 | HOOD HANDLE SUPPORT L/H |
| 1 | 11 | MH104666 | HOOD HANDLE SUPPORT R/H |
| 1 | 12 | MH104648 | COVER for REAR PANEL |
| 1 | 13 | MH104667 | REAR PANEL |
| 1 | 14 | MH104668 | HOOD SPRING TOP BUSHES |
| 1 | 15 | MH104669 | GUIDE RING |
| 1 | 17 | MH104670 | HOOD SPRING UPPER MOUNTS |
| 1 | 18 | MH102396 | SPRING for HOOD |
| 1 | 19 | MH100570 | SPRING ADJUSTMENT HOOK |
| 1 | 20 | MH104649 | HOOD GUIDE(SOLD INDIVIDUALLY) |
| 1 | 21 | MH104704 | HOOD GUIDE SPACER |
| 1 | 22 | MH104650 | BASKET CARRIAGE MOUNTING BRACKET L/H |
| 1 | 23 | MH104651 | BASKET CARRIAGE MOUNTING BRACKET R/H |
| 1 | 24 | MH104653 | RACK FRAME |
| 1 | 25 | MH104671 | HOOD SPRING TENSION BAR |
| 1 | 26 | MH104654 | SIDE PANEL R/H |
| 1 | 27 | MH104655 | SIDE PANEL L/H |
| 1 | 28 | MH100565 | ADHESIVE PAD |
| 1 | 29 | MH100567 | FRONT STRIP |
| 1 | 30 | MH104672 | FRONT PANEL |
| 1 | 31 | MH100566 | MACHINE FOOT |
| 1 | 32 | MH104673 | BASKET CARRIAGE SUPPORT BAR |
| 1 | 33 | MH104705 | BRACKET |
| 1 | 34 | MH100377 | DOOR SWITCH |
| 1 | 35 | MH104656 | BRACKET |

2

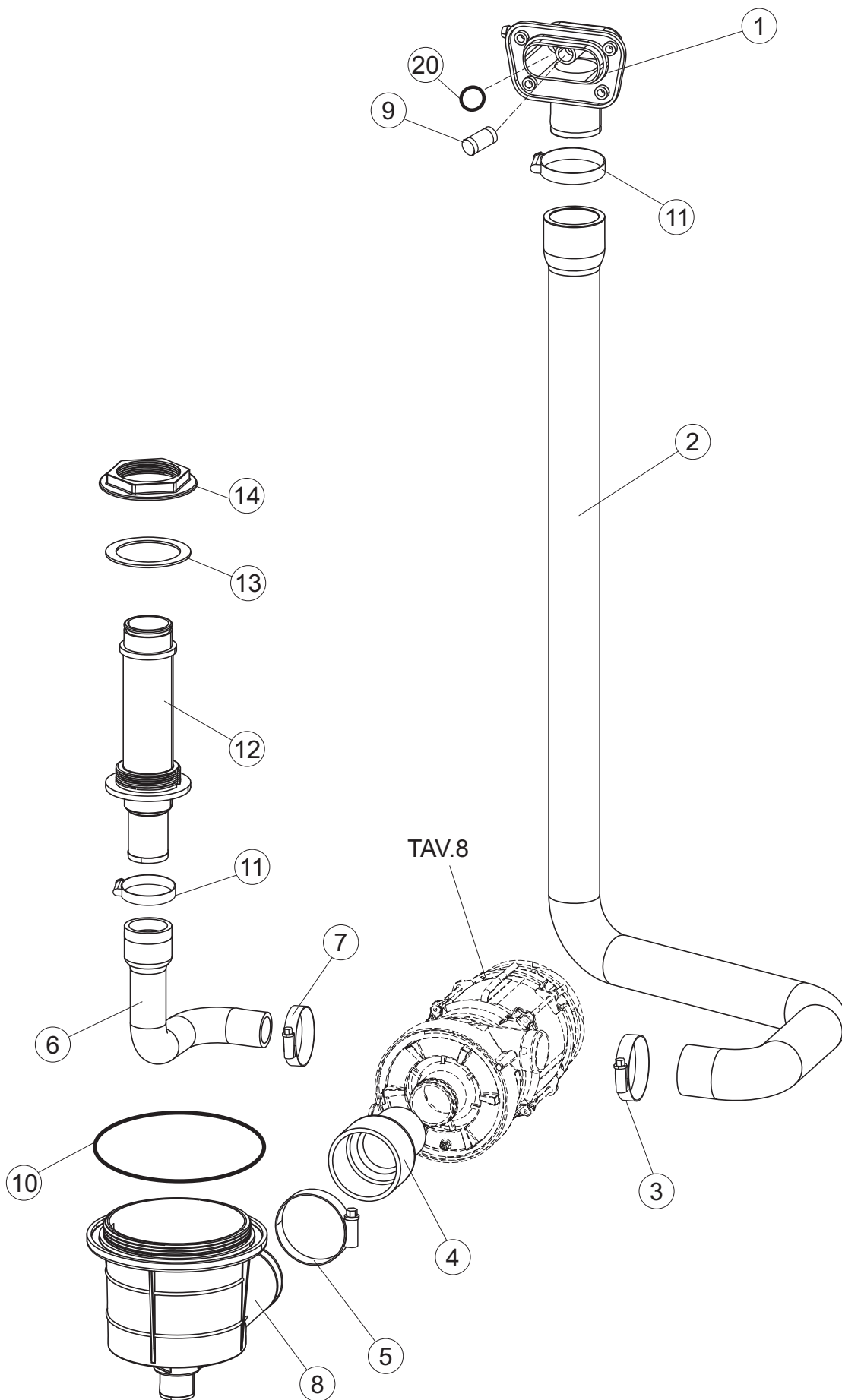


| Page | Ref | Part Code | Description |
|------|-----|-----------|---|
| 2 | 1 | MH104657 | COMPLETE ELECTRICAL PANEL |
| 2 | 2 | MH100573 | RELAY 1 POLE 30A AC 230V 4 PIN (FINDER) |
| 2 | 3 | MH104546 | MAIN PCB BOARD |
| 2 | 4 | MH104606 | ELECTRONIC PRESSURE SWITCH |
| 2 | 5 | MH103415 | RELAY 2 POLE 16A AC 230V 8 PIN (FINDER) |
| 2 | 7 | MH102375 | CONTACTOR SIEMENS 4Kw22A 230V |
| 2 | 10 | MH100262 | TERMINAL BLOCK 6 POLE |
| 2 | 11 | MH100580 | FUSE 4A 5x20 |
| 2 | 12 | MH100282 | FUSE 100Ma 5x20T |
| 2 | 13 | MH100281 | FUSE 2A 5x20T |
| 2 | 15 | MH100353 | TUBE 4x7mm (per Mtr) – PRESSURE SWITCH |
| 2 | 16 | MH100545 | HOSE CLIP 5mm |
| 2 | 17 | MH101092 | AIR BOX |
| 2 | 18 | MH101313 | RIBBON CABLE |
| 2 | 19 | MH104600 | DISPLAY PCB |
| 2 | 20 | MH101059 | PCB LOCATION SPACER |
| 2 | 21 | MH101355 | NUT M3 – WHITE PLASTIC |
| 2 | 22 | MH104716 | FASCIA EVO2035WS |
| 2 | 23 | MH101397 | PCB FOOT |
| 2 | 24 | MH104199 | CABLE GLAND |
| 2 | 25 | MH104641 | SINGLE PHASE 3 CORE 32A CABLE |
| 2 | 26 | MH104658 | PLASTIC CONTROLS COVER |



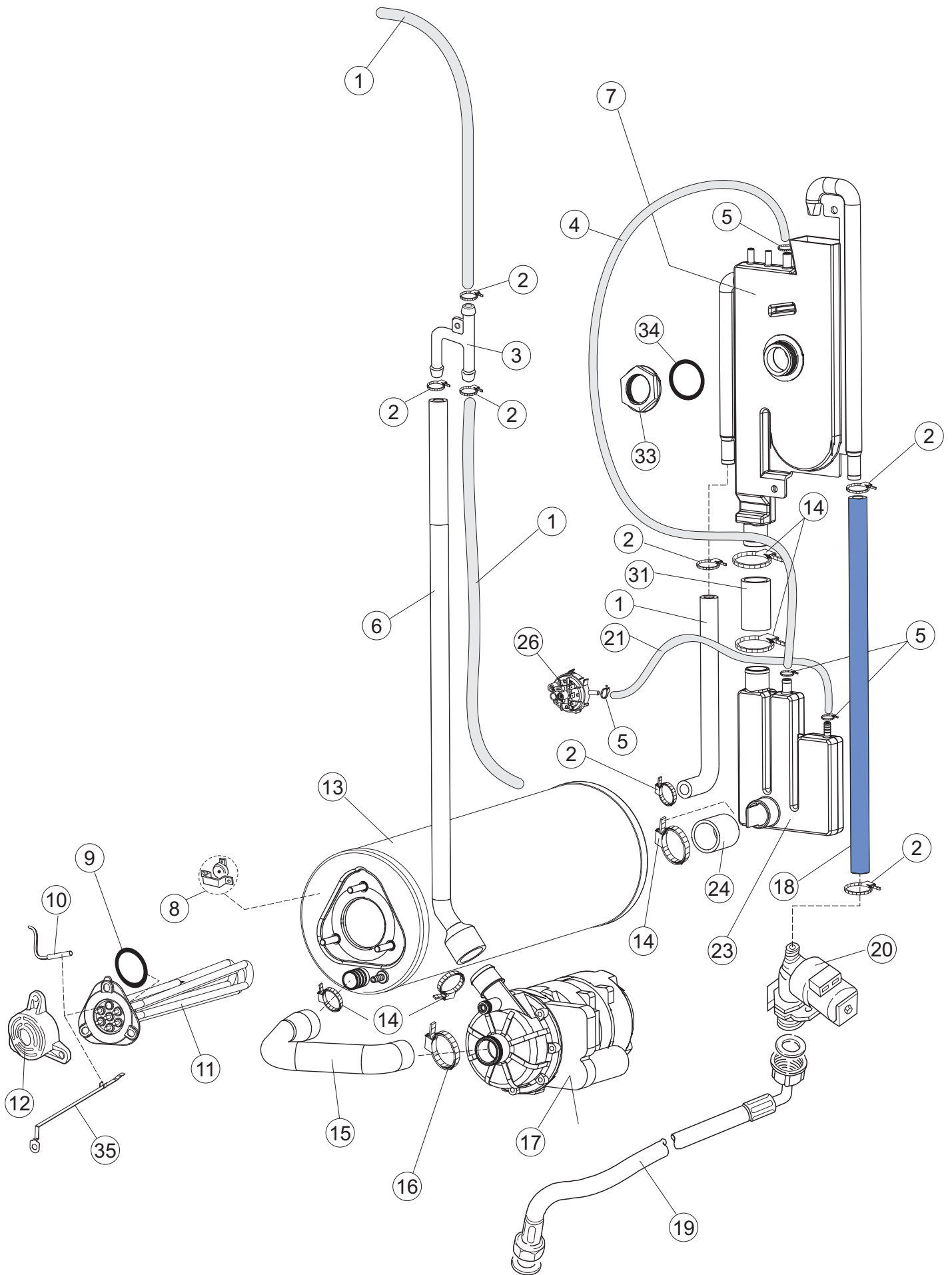
| Page | Ref | Part Code | Description |
|------|-----|-----------|--|
| 3 | 1 | MH100377 | DOOR SWITCH |
| 3 | 2 | MH105002 | COMPLETE SCRAP TRAY KIT |
| 3 | 3 | MH104593 | SCRAP TRAY FILTER |
| 3 | 4 | MH100605 | UPPER WASH SUPPORT / FEED |
| 3 | 5 | MH100606 | GASKET for WASH FEED |
| 3 | 6 | MH103984 | FILTER ASSEMBLY |
| 3 | 7 | MH103918 | RING NUT BODY – INLET & DRAIN |
| 3 | 8 | MH104659 | ELEMENT 2.5Kw 230V c/w GASKET |
| 3 | 9 | MH100601 | CONTACT THERMOSTAT 95° C 1N/C – BOILER |
| 3 | 10 | MH104266 | DETERGENT ELBOW M12 METAL |
| 3 | 11 | MH101092 | AIR BOX |
| 3 | 12 | MH101364 | NUT – PLASTIC |
| 3 | 13 | MH101363 | GASKET for AIR BOX |
| 3 | 15 | MH103715 | TEMPERATURE PROBE WASH / RINSE |
| 3 | 16 | MH101316 | FIXING PLATE |
| 3 | 18 | MH104201 | BRACKET – CHEMICAL DOSER |
| 3 | 19 | MH101089 | TUBE 4x6mm CLEAR (per Mtr) |
| 3 | 20 | MH100745 | TUBE 4x6mm PVC BLUE (1 Mtr pack) |
| 3 | 21 | MH104325 | BOTTLE WEIGHT & FILTER |
| 3 | 22 | MH104388 | TUBE 5x11mm up to 100°c – RINSE AID BOILER |
| 3 | 23 | MH103986 | RINSE AID PUMP – PERISTALTIC |
| 3 | 24 | MH103979 | DETERGENT PUMP 3l/h |
| 3 | 25 | MH104643 | INTERNAL RINSE AID SQUEEZE TUBE 5x10mm |
| 3 | 26 | MH104642 | INTERNAL RINSE AID SQUEEZE TUBE 6x10mm |
| 3 | 30 | MH103821 | CONTACT THERMOSTAT 90°C 1 N/C |

4

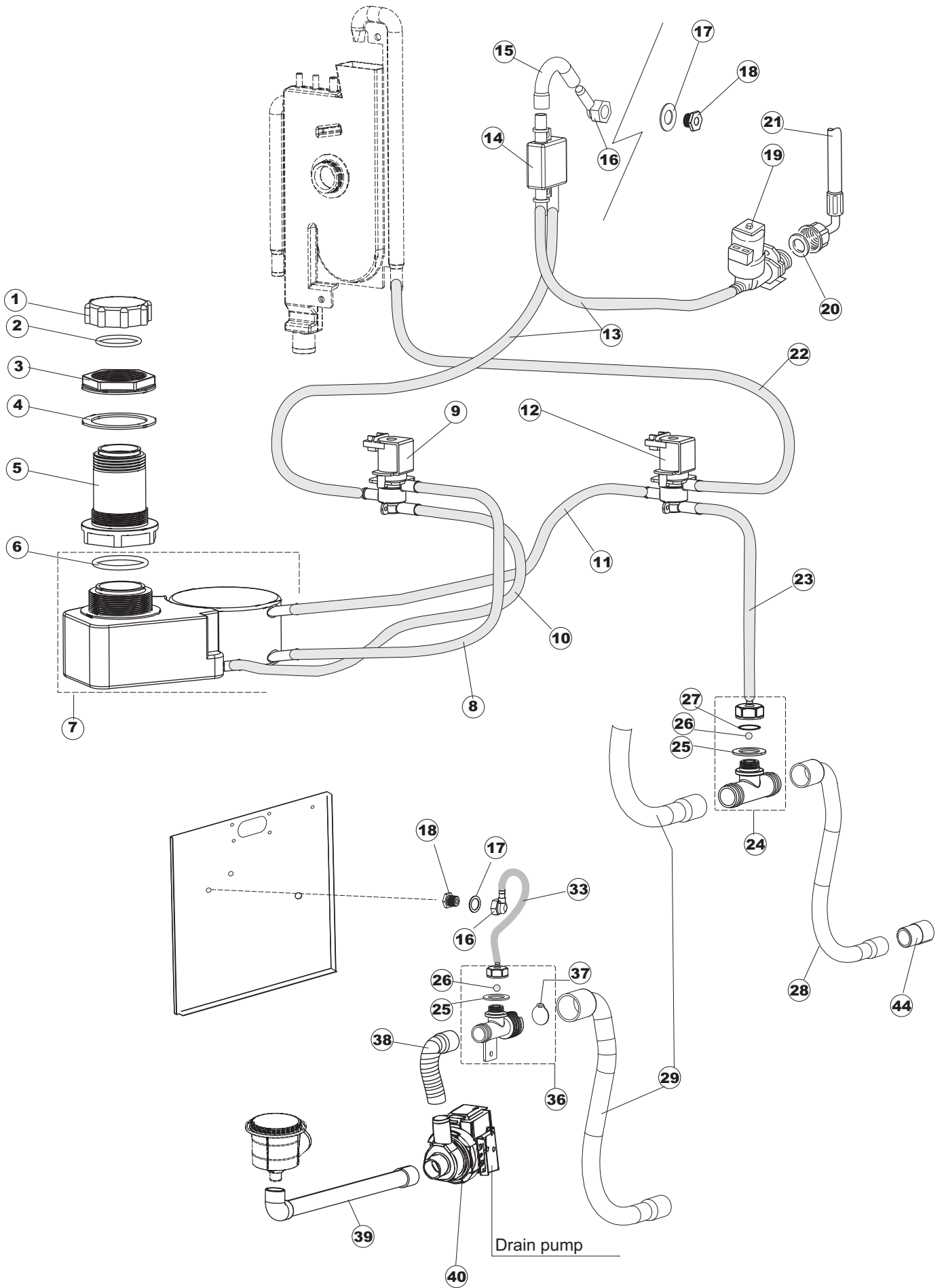


| Page | Ref | Part Code | Description |
|------|-----|-----------|--|
| 4 | 1 | MH101180 | WASH HOSE CONNECTION – REAR TOP |
| 4 | 2 | MH101377 | WASH HOSE |
| 4 | 3 | MH101384 | HOSE CLIP 32-50mm |
| 4 | 4 | MH104678 | HOSE – DRAIN PUMP TO SUMP |
| 4 | 5 | MH101388 | HOSE CLIP 60-80mm/ 12 |
| 4 | 6 | MH104679 | DELIVERY TUBE – LOWER WASH |
| 4 | 7 | MH101386 | HOSE CLIP 20-32mm |
| 4 | 8 | MH104680 | SUMP |
| 4 | 9 | MH100490 | INSERT SEAL Ø10mm |
| 4 | 10 | MH103919 | O-RING |
| 4 | 11 | MH101383 | HOSE CLIP 40-60mm / 12 |
| 4 | 12 | MH104682 | LOWER WASH COLUMN |
| 4 | 13 | MH103942 | GASKET – WASH / RINSE SUPPORT COLUMN |
| 4 | 14 | MH103941 | RING NUT – WASH / RINSE SUPPORT COLUMN |
| 4 | 20 | MH104685 | O-RING |

5

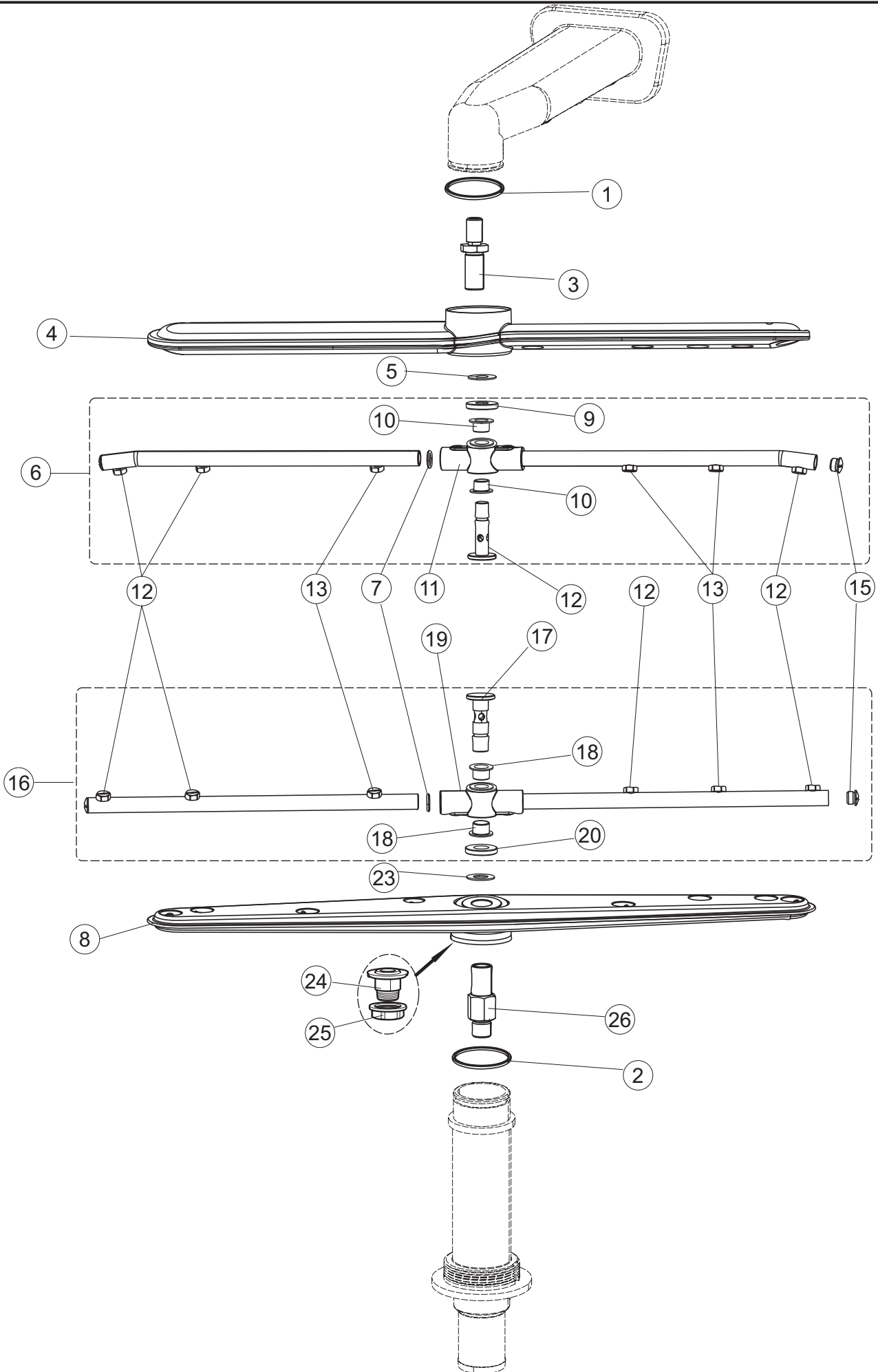


| Page | Ref | Part Code | Description |
|------|-----|-----------|---|
| 5 | 1 | MH100583 | RUBBER TUBE 12x19.5mm (per Mtr) |
| 5 | 2 | MH101385 | HOSE CLIP 12-22mm |
| 5 | 3 | MH100584 | CONNECTOR 3 WAY – RINSE |
| 5 | 4 | MH102695 | TUBE 6x9mm CLEAR PVC (per Mtr) |
| 5 | 5 | MH101389 | HOSE CLIP 8-12mm |
| 5 | 6 | MH101128 | OUTLET HOSE for BOOSTER PUMP |
| 5 | 7 | MH103998 | BREAK TANK – PLASTIC |
| 5 | 8 | MH100601 | CONTACT THERMOSTAT 95°C 1N/C – BOILER |
| 5 | 9 | MH100599 | GASKET for RINSE ELEMENT |
| 5 | 10 | MH103715 | TEMPERATURE PROBE – WASH or RINSE CYCLE |
| 5 | 11 | MH103646 | ELEMENT 6Kw 230V c/w GASKET – BOILER |
| 5 | 12 | MH101070 | ELEMENT COVER |
| 5 | 13 | MH103983 | BOILER |
| 5 | 14 | MH101386 | HOSE CLIP 20-32mm |
| 5 | 15 | MH103989 | ASPIRATION HOSE |
| 5 | 16 | MH101386 | HOSE CLIP 20-32mm |
| 5 | 17 | MH103992 | BOOSTER PUMP 230V 200W c/w CAPACITOR |
| 5 | 18 | MH102166 | TUBE WRAS APPROVED (per Mtr) |
| 5 | 19 | MH101390 | INLET TUBE |
| 5 | 20 | MH100380 | SOLENOID VALVE SINGLE STRAIGHT 11.5mm |
| 5 | 21 | MH104388 | FEED TUBE 5x11mm up to 100°C (per Mtr) |
| 5 | 23 | MH103990 | BOILER PRESSURE CHAMBER |
| 5 | 24 | MH103991 | RUBBER HOSE |
| 5 | 26 | MH100602 | PRESSURE SWITCH 110 / 60 |
| 5 | 31 | MH101122 | RUBBER HOSE 20x30mm (per Mtr) |
| 5 | 33 | MH103995 | Nut – PLASTIC |
| 5 | 34 | MH103996 | GASKET – RUBBER |
| 5 | 35 | MH103726 | PROBE HOLDER for THERMOSTAT |

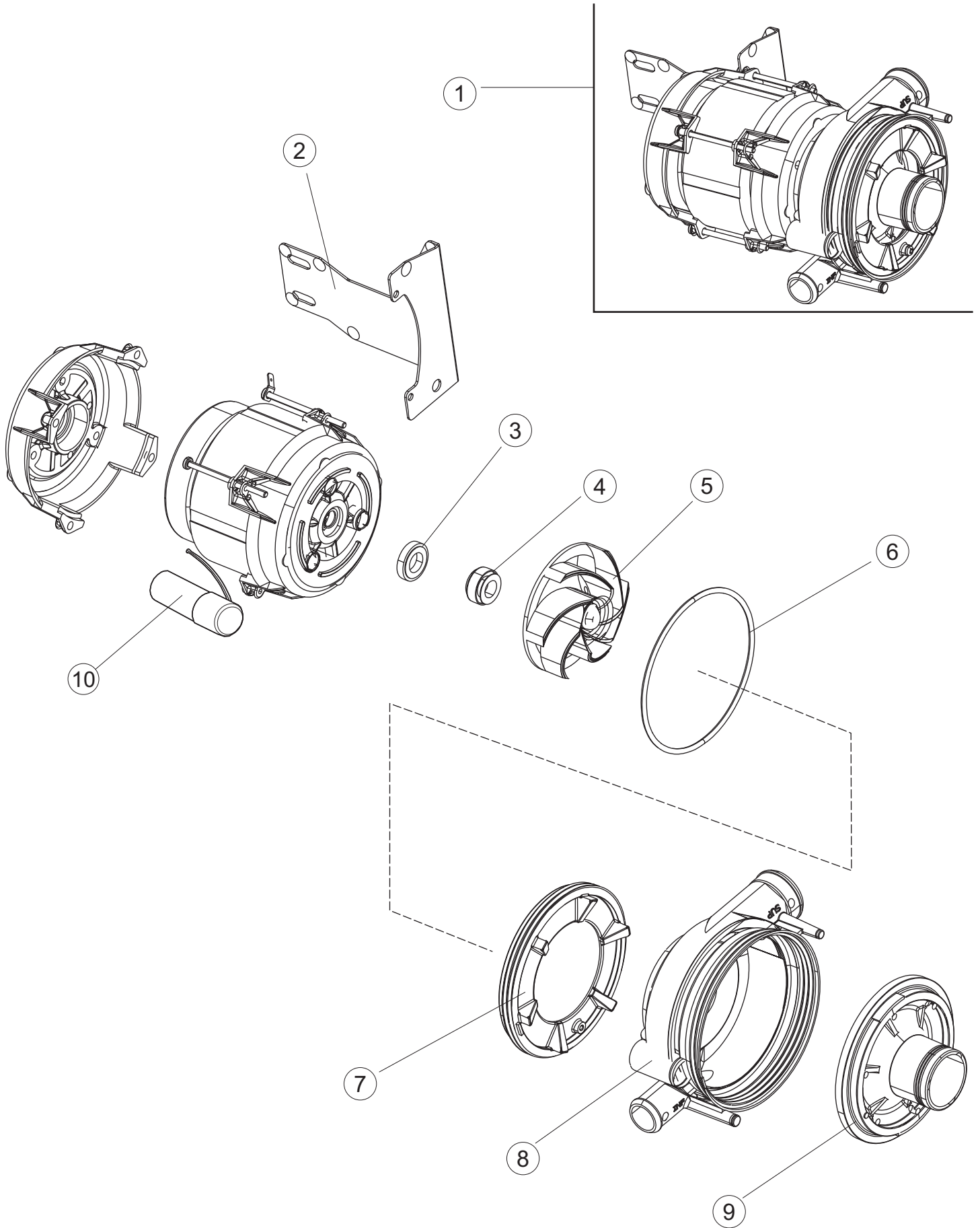


| Page | Ref | Part Code | Description |
|------|-----|-----------|--|
| 6 | 1 | MH103447 | PLUG for SALT CONTAINER |
| 6 | 2 | MH101943 | O-RING |
| 8 | 3 | MH103941 | RING NUT – WASH / RINSE SUPPORT COLUMN |
| 8 | 4 | MH103942 | GASKET - WASH / RINSE SUPPORT COLUMN |
| 8 | 5 | MH104717 | CONTAINER SALT CONNECTION |
| 8 | 6 | MH100288 | O-RING |
| 8 | 7 | MH104000 | INTERNAL WATER SOFTENER |
| 8 | 8 | MH100265 | TUBE – RUBBER |
| 8 | 9 | MH103824 | SOLENOID VALVE 3 WAY |
| 8 | 10 | MH104171 | TUBE for WATER SOFTENER |
| 8 | 11 | MH100263 | TUBE – RUBBER |
| 8 | 12 | MH104002 | SOLENOID VALVE TRIPLE NO RESTRICTOR |
| 8 | 13 | MH100500 | PRESSURE TUBE 10x17mm |
| 8 | 14 | MH103917 | AIR BOX ASSEMBLY |
| 8 | 15 | MH100583 | RUBBER TUBE 12x19.5mm (pre Mtr) |
| 8 | 16 | MH100398 | RINSE ELBOW |
| 8 | 17 | MH104172 | GASKET for RINSE TUBE |
| 8 | 18 | MH103922 | RING NUT |
| 8 | 19 | MH104173 | SOLENOID VALVE - SINGLE |
| 8 | 20 | MH100379 | WASHER S641 EXPO |
| 8 | 21 | MH101390 | INLET TUBE |
| 8 | 22 | MH104003 | TUBE - RUBBER |
| 8 | 23 | MH100172 | TUBE - RUBBER |
| 8 | 24 | MH104019 | DRAIN 'T' CONNECTOR for SOFTENER |
| 8 | 25 | MH103933 | GASKET – RUBBER |
| 8 | 26 | MH103932 | VALVE SPHERE |
| 8 | 27 | MH100488 | O-RING |
| 8 | 28 | MH103935 | TUBE – RUBBER |
| 8 | 29 | MH104174 | DRAIN HOSE for DRAIN PUMP |
| 8 | 33 | MH104484 | TUBE 10x14mm PVC CLEAR (per Mtr) |
| 8 | 36 | MH104592 | DRAIN PUMP AIR RELEASE VALVE |
| 8 | 37 | MH103934 | MEMBRANE |
| 8 | 38 | MH101367 | DRAIN HOSE L=1000mm |
| 8 | 39 | MH104389 | HOSE |
| 8 | 40 | MH104715 | DRAIN PUMP |
| 8 | 44 | MH104684 | DRAIN HOSE COUPLING |

7



| Page | Ref | Part Code | Description |
|------|-----|-----------|---------------------------|
| 7 | 1 | MH100087 | O-RING |
| 7 | 2 | MH100615 | SPLIT RING |
| 7 | 3 | MH104480 | RINSE SPINDLE |
| 7 | 4 | MH104690 | WASH ARM COMPLETE – UPPER |
| 7 | 5 | MH103844 | GASKET – TEFLON |
| 7 | 6 | MH104709 | RINSE ARM COMPLETE |
| 7 | 7 | MH100414 | O-RING |
| 7 | 8 | MH104687 | WASH ARM – LOWER |
| 7 | 9 | MH103846 | THUMB NUT |
| 7 | 10 | MH103847 | BEARING – UPPER RINSE ARM |
| 7 | 11 | MH104710 | RINSE BOSS – UPPER |
| 7 | 12 | MH103848 | RINSE JET ST/ST |
| 7 | 13 | MH103849 | RINSE JET ST/ST |
| 7 | 15 | MH104126 | END PLUG for RINSE ARM |
| 7 | 16 | MH104711 | RINSE ARM COMPLETE |
| 7 | 17 | MH104129 | SPINDLE for RINSE ARM |
| 7 | 18 | MH104130 | BEARING – LOWER RINSE ARM |
| 7 | 19 | MH104712 | RINSE BOSS - LOWER |
| 7 | 20 | MH104132 | THUMB NUT |
| 7 | 23 | MH104135 | GASKET – TEFLON |
| 7 | 24 | MH104688 | WASH ARM BUSH – LOWER |
| 7 | 25 | MH102229 | RING NUT |
| 7 | 26 | MH104689 | SPINDLE for WASH ARM |



| Page | Ref | Part Code | Description |
|------|-----|-----------|--|
| 8 | 1 | MH104691 | WASH PUMP 1 PHASE 230V 0.61Kw c/w CAP. |
| 8 | 2 | MH104692 | BRACKET for WASH PUMP |
| 8 | 3 | MH103960 | LOCK for SHAFT SEAL |
| 8 | 4 | MH103961 | ROTATING SHAFT SEAL |
| 8 | 5 | MH104693 | IMPELLER |
| 8 | 6 | MH103963 | SEAL for WASH PUMP HOUSING |
| 8 | 7 | MH104694 | LOCKIING PIN / FRONT PLATE |
| 8 | 8 | MH104695 | IMPELLER REAR HOUSING |
| 8 | 9 | MH103964 | FRONT PLATE / WASH PUMP |
| 8 | 10 | Q910110 | CAPACITOR 14Mf |