



D515

PARTS BOOK

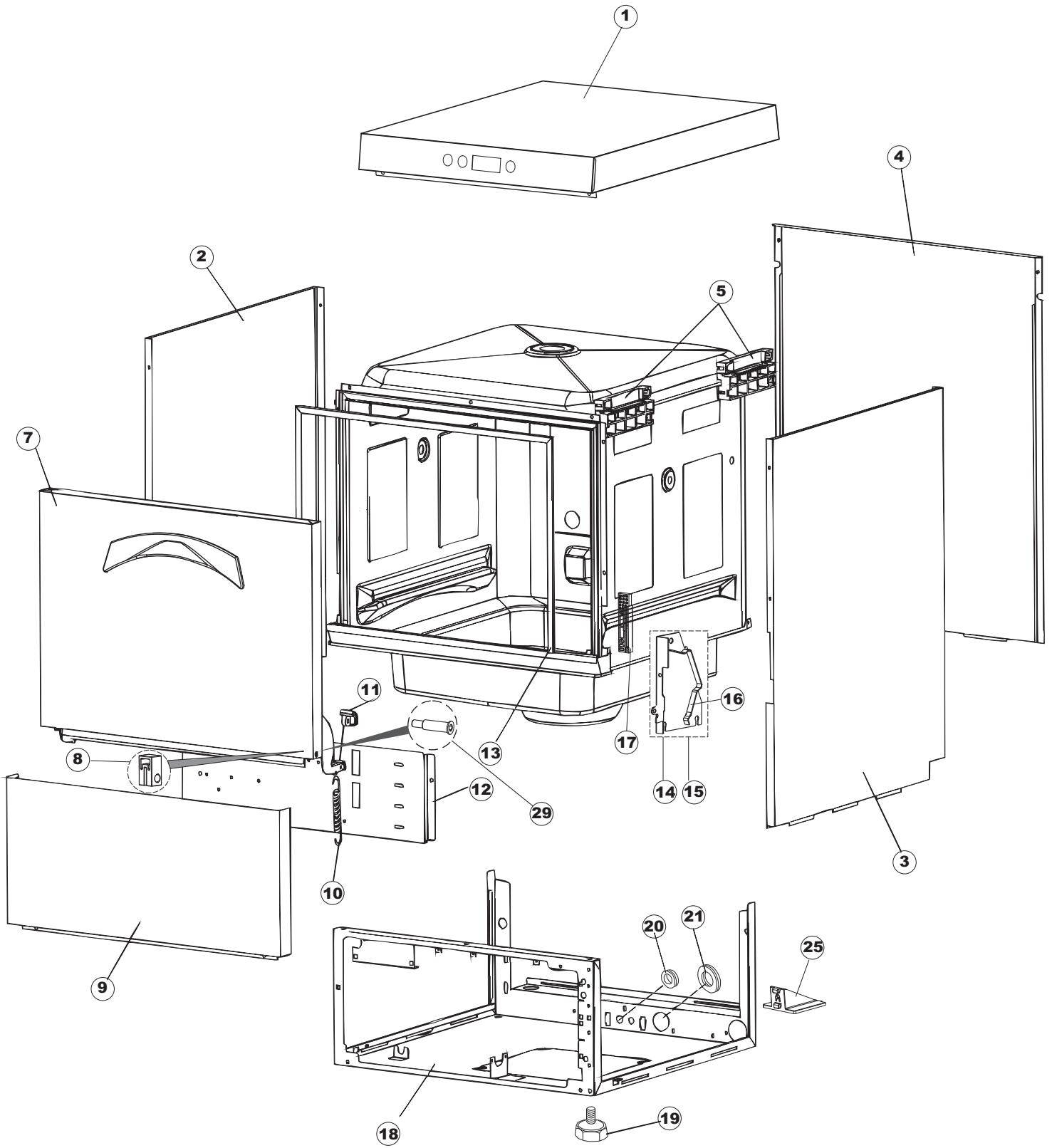
From S/N: 2825713

13-01-2015 (Ref: 916972)

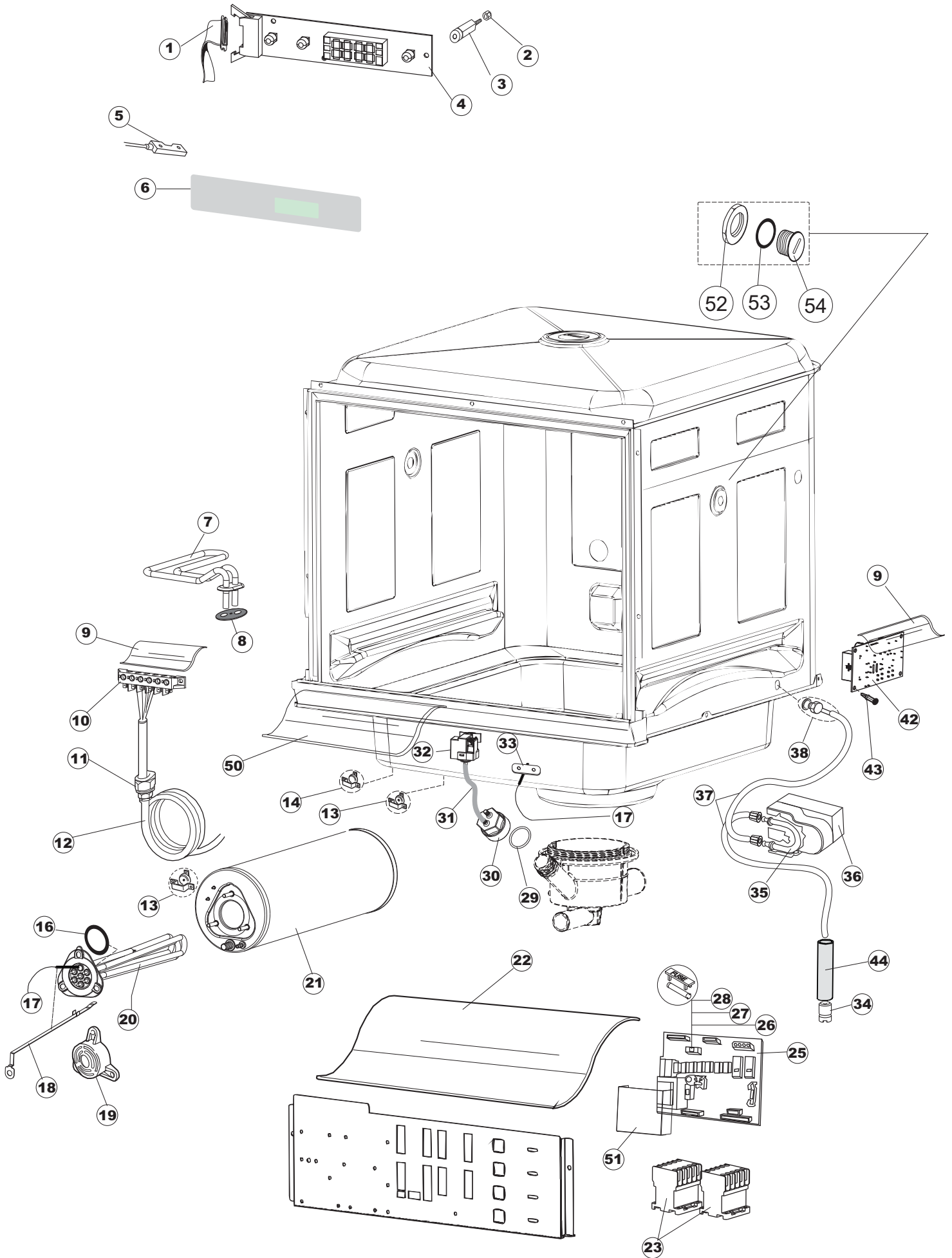
All spares available from



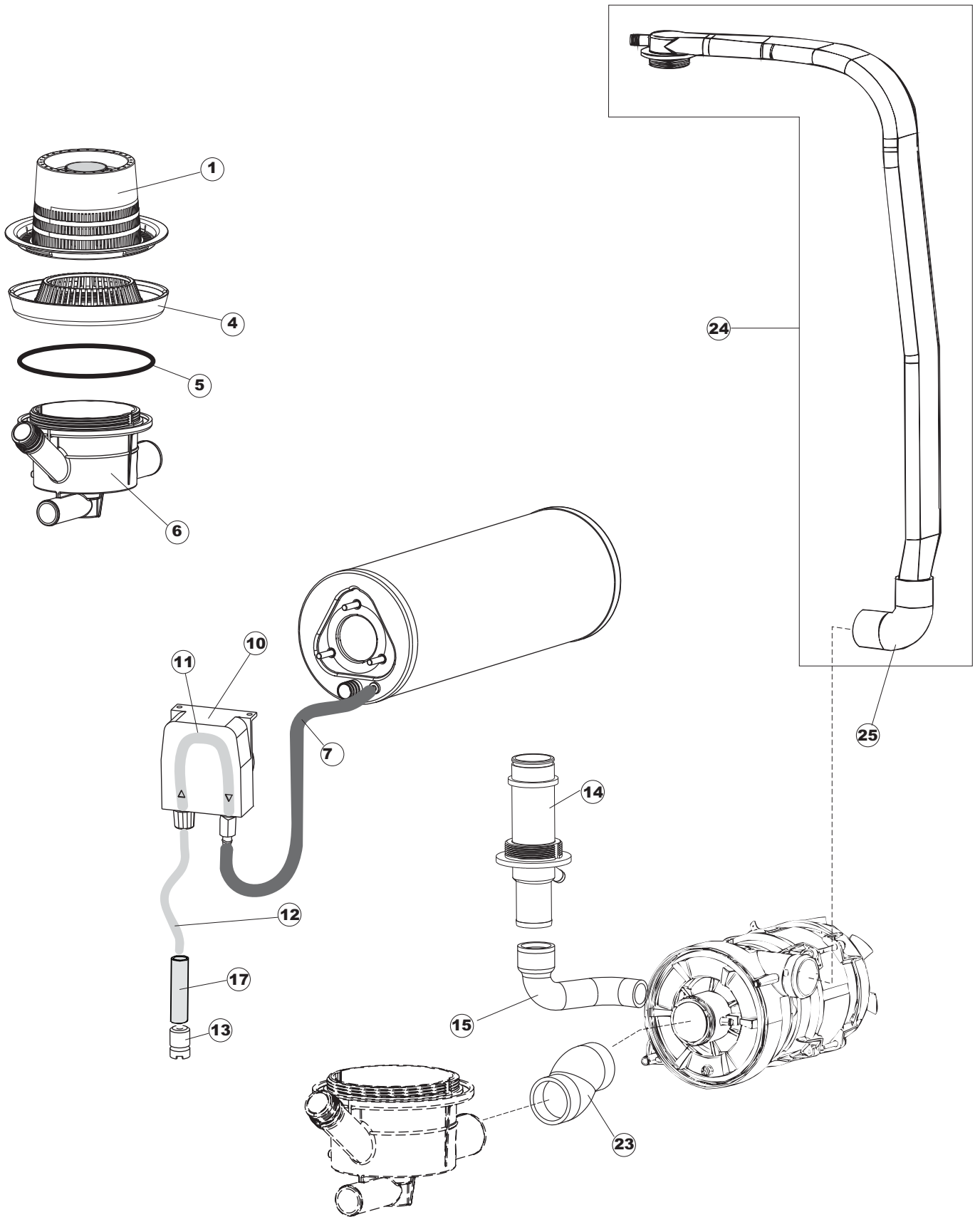
The Engine Shed
Top Station Road
Brackley
NN13 7UG
Tel: 0845 1308060
Fax: 01280 845345
Web: www.caterparts.com



Maidaid D515			
Page	Ref	Part Code	Description
1	1	MH105073	TOP PANEL
1	2	MH103973	LEFT HAND SIDE PANEL
1	3	MH103972	RIGHT HAND SIDE PANEL
1	4	MH103971	REAR PANEL
1	5	MH103894	TOP AND SIDE MOUNTING BRACKET
1	7	MH104633	DOOR
1	8	MH103897	HINGE PIVOT CENTERING BLOCK
1	9	MH104618	LOWER FRONT PANEL
1	10	MH103976	DOOR SPRING
1	11	MH103896	HINGE STOP
1	12	MH103898	CONTROLS MOUNTING PLATE
1	13	MH103951	DOOR GASKET
1	14	MH103949	DOOR STAY SPRING AND BRACKET – RIGHT HAND
1	15	MH103950	DOOR STAY SPRING AND BRACKET – LEFT HAND
1	16	MH103899	DOOR STAY SPRING (RIGHT OR LEFT HAND)
1	17	MH103952	DOOR STOP
1	18	MH105108	CHASSIS
1	19	MH100459	FOOT
1	20	MH100347	CABLE GLAND
1	21	MH100457	CABLE GROMMET
1	25	MH104620	PANEL CLOSURES
1	29	MH105109	DOOR PIN

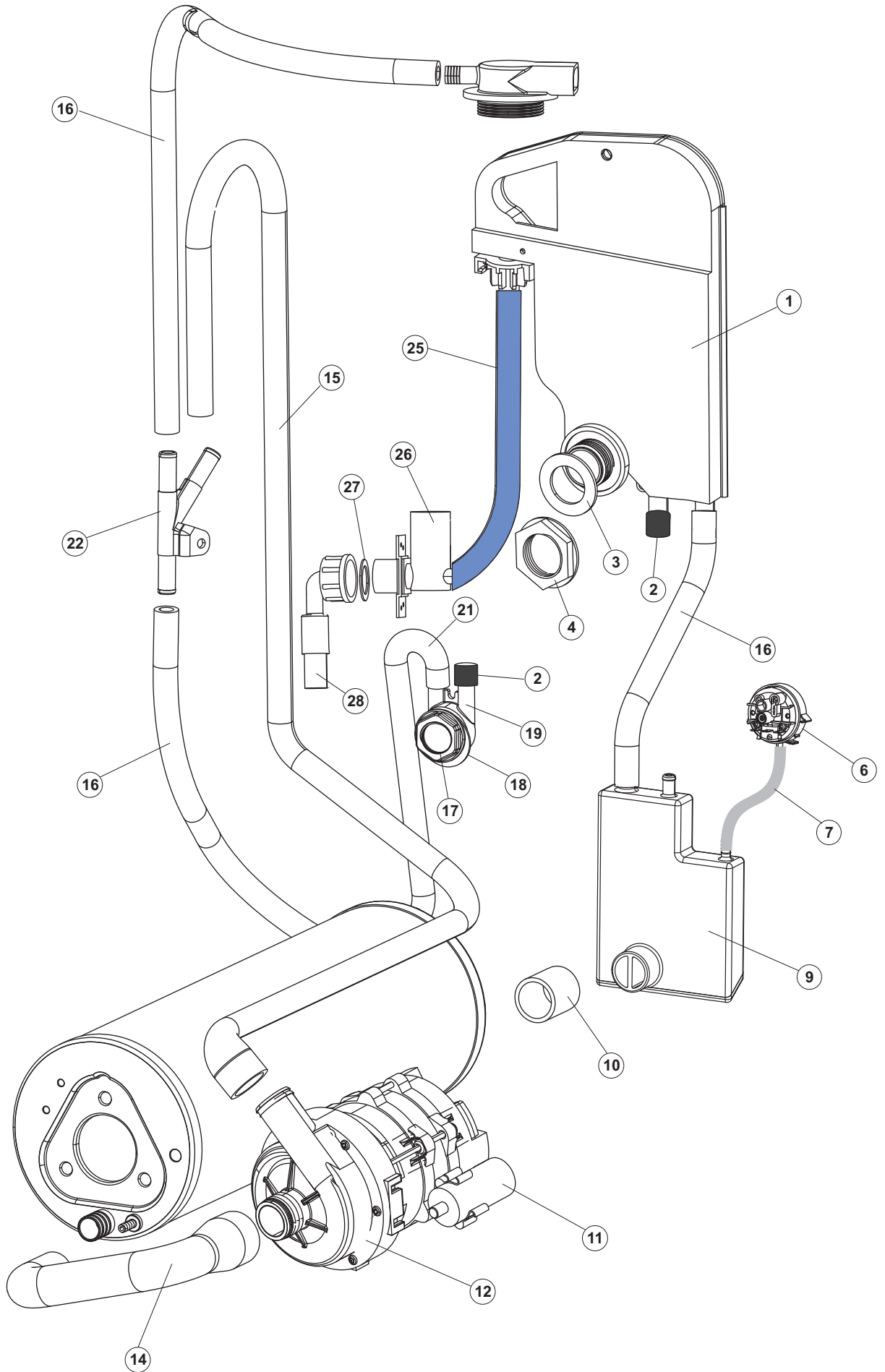


Maidaid D515			
Page	Ref	Part Code	Description
2	1	MH103900	RIBBON CABLE
2	2	MH101355	PCB NUT M3 – WHITE PLASTIC
2	3	MH101059	PCB SPACER
2	4	MH104545	DISPLAY PCB
2	5	MH100377	DOOR SWITCH – MAGNETIC SENSOR
2	6	MH105110	FASCIA FOR D515
2	7	MH104431	ELEMENT 2.1 kW c/w GASKET – WASH TANK
2	8	MH100370	GASKET L=46mm W=22mm – WASH TANK
2	9	MH103912	COVER FOR TERMINAL BLOCK
2	10	MH100262	TERMINAL BLOCK 6 POLE
2	11	MH100481	CABLE GLAND
2	12	MH105096	CABLE
2	13	MH100368	SAFETY THERMOSTAT 95 deg C – WASH TANK & BOILER
2	14	MH103821	CONTACT THERMOSTAT 90 deg C
2	16	MH100599	GASKET FOR RINSE ELEMENT
2	17	MH103715	TEMPERATURE PROBE – WASH & RINSE
2	18	MH103726	PROBE HOLDER – RINSE THERMOSTAT
2	19	MH101070	ELEMENT COVER
2	20	MH100598	ELEMENT 6 kW – RINSE BOILER
2	21	MH103983	RINSE BOILER
2	22	MH101374	PLASTIC COVER FOR ELECTRICS
2	23	MH103908	CONTACTOR
2	25	MH105097	MAIN PCB
2	26	MH100282	FUSE 100 mA 5x20T
2	27	MH100281	FUSE 2 A 5x20T
2	28	MH100580	FUSE 4 A 5x20
2	29	MH103909	O RING
2	30	MH103954	CONNECTION NUT FOR AIR BOX
2	31	MH100353	TUBE FOR PRESSURE SWITCH 4x7mm CLEAR
2	32	MH104606	ELECTRONIC PRESSURE SWITCH – WASH TANK
2	33	MH100679	FIXING PLATE – WASH THERMOSTAT
2	34	MH103645	BOTTLE WEIGHT AND FILTER
2	35	MH104642	DETERGENT PUMP SQUEEZE TUBE
2	36	MH103979	PERISTALTIC DETERGENT PUMP
2	37	MH101089	DETERGENT TUBE 4x6mm – CLEAR (Per metre)
2	38	MH104266	DETERGENT ELBOW– METAL M12
2	42	MH104594	PCB FOR WASH PUMP SOFT START
2	43	MH104622	MOUNTING SPACER FOR PCB
2	44	MH100363	DETERGENT TUBE STIFFENER TUBE
2	50	MH103822	PLASTIC MEMBRANE 550x220mm
2	51	MH103823	PLASTIC COVER
2	52	MH104023	LOCK NUT
2	53	MH100046	O-RING (24 x 2.5mm)
2	54	MH104024	BLANK FOR WASH TANK

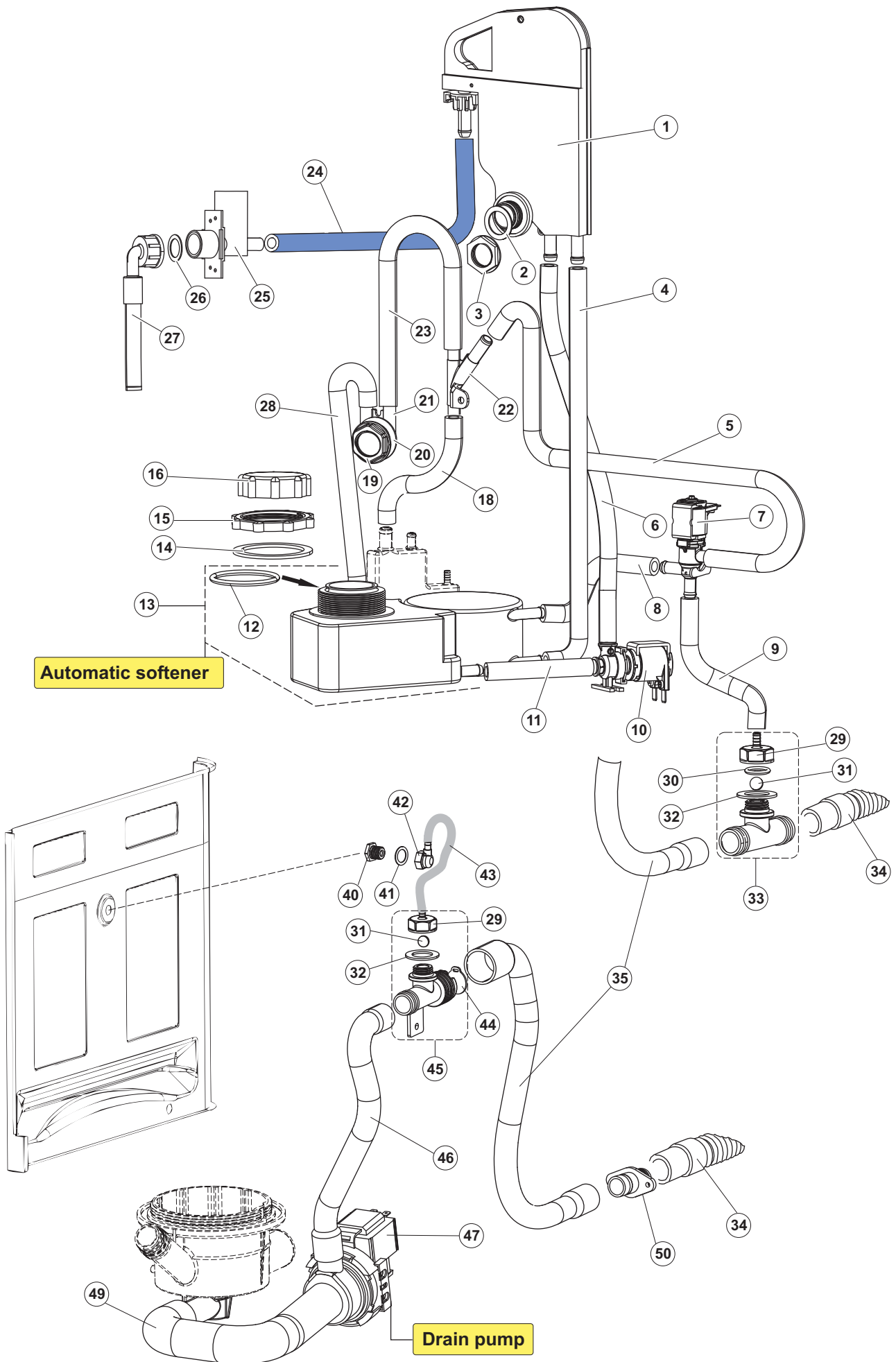


Maidaid D515

Page	Ref	Part Code	Description
3	1	MH103984	WASH PUMP FILTER - CAPPED
3	4	MH103918	RING NUT FOR SUMP
3	5	MH103919	O RING FOR SUMP
3	6	MH103920	WASH SUMP
3	7	MH104388	RINSE AID FEED TO BOILER TUBE 5x11mm
3	10	MH103986	PERISTALTIC RINSE AID PUMP
3	11	MH104643	RINSE AID PUMP SQUEEZE TUBE (c/w Non-return valve)
3	12	MH100745	RINSE AID TUBE 4x6mm PVC BLUE (Per metre)
3	13	MH103645	BOTTLE WEIGHT AND FILTER
3	14	MH103931	BOTTOM WASH/RINSE COLUMN
3	15	MH103930	MOULDED TUBE – WASH PUMP TO LOWER COLUMN
3	17	MH100363	DETERGENT TUBE STIFFENER TUBE
3	23	MH103926	MOULDED TUBE – WASH PUMP TO SUMP
3	24	MH103985	TOP WASH DELIVERY PIPE
3	25	MH103955	WASH MANIFOLD - CONNECTION ELBOW



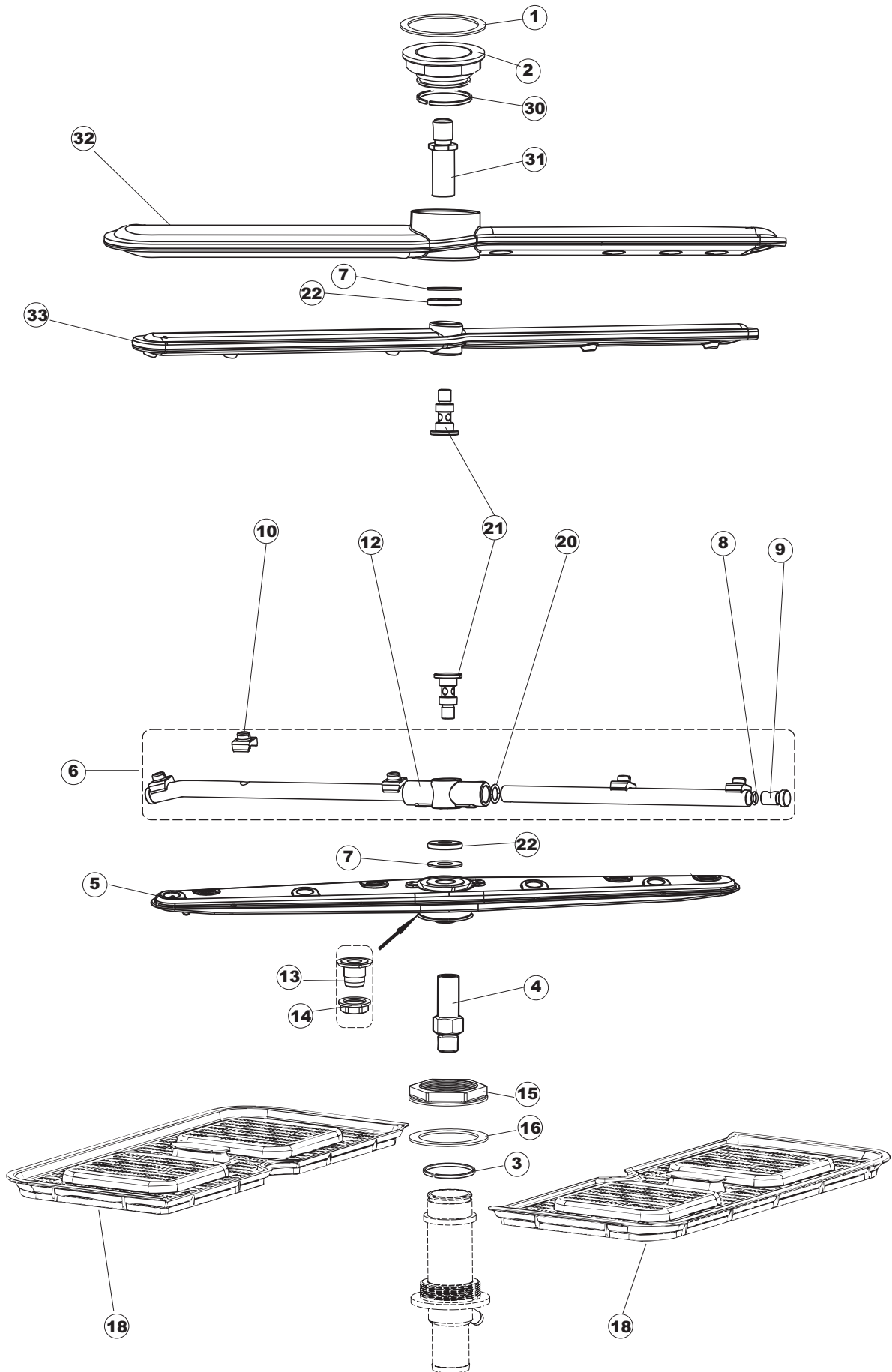
Maidaid D515			
Page	Ref	Part Code	Description
4	1	MH105079	BREAKTANK
4	2	MH105111	SLEEVE
4	3	MH105080	RUBBER GASKET FOR BREAKTANK
4	4	MH105081	RING NUT FOR BREAKTANK
4	6	MH103987	PRESSURE SWITCH 35/22
4	7	MH100353	SILICONE TUBE 4x7mm CLEAR (Per metre)
4	9	MH105104	BOILER PRESSURE CHAMBER
4	10	MH103991	TUBE – BOILER TO PRESSURE CHAMBER
4	11	MH104539	CAPACITOR 4mf
4	12	MH103992	RINSE BOOSTER PUMP 200W 230V c/w CAPACITOR
4	14	MH103989	TUBE – BOILER TO PRESSURE PUMP
4	15	MH103993	RINSE DELIVERY TUBE – PUMP TO CONNECTOR
4	16	MH100500	PRESSURE TUBE 10x17mm
4	17	MH105091	RING NUT - OVERFLOW
4	18	MH100444	GASKET-OVERFLOW
4	19	MH105092	OVERFLOW BODY
4	21	MH105115	TUBE – RINSE BOILER FEED
4	22	MH100584	3 WAY HOSE CONNECTOR
4	25	MH102166	FILL HOSE – SOLENOID TO BREAKTANK
4	26	MH105105	FILL SOLENOID
4	27	MH100379	GASKET – FILL HOSE
4	28	MH101390	FILL HOSE – ¾" BSP



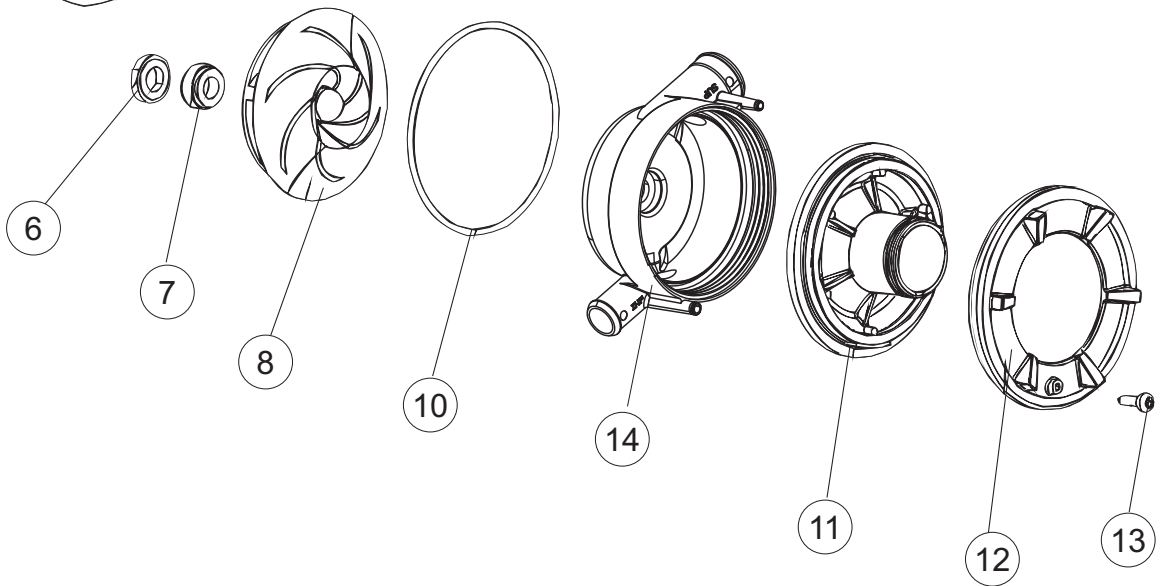
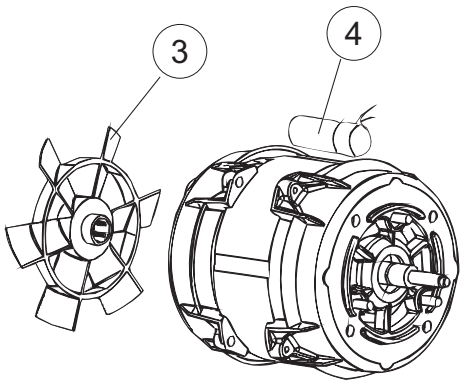
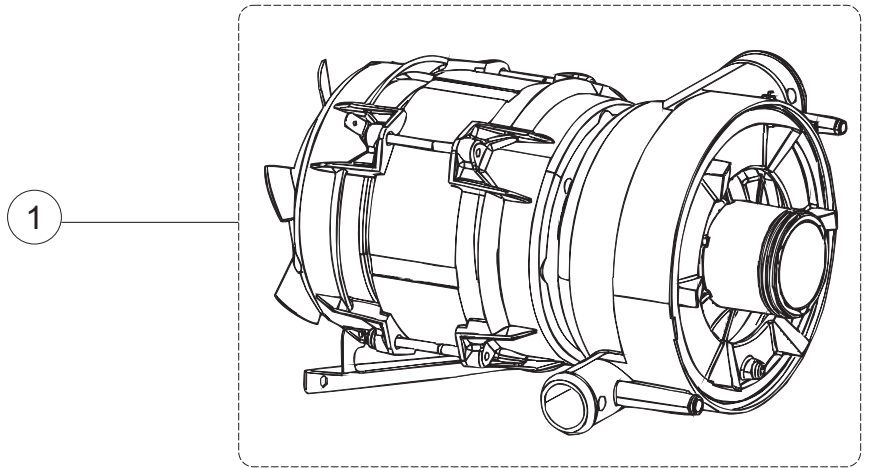
Maidaid D515

Page	Ref	Part Code	Description
5	1	MH105079	BREAKTANK
5	2	MH105080	RUBBER GASKET FOR BREAKTANK
5	3	MH105081	RING NUT FOR BREAKTANK
5	4	MH105117	FORMED HOSE
5	5	MH105118	TUBE – 3 WAY SOLENOID TO RINSE
5	6	MH104484	TUBE – BREAKTANK TO REGEN SOLENOID PVC CLEAR 10x14mm
5	7	MH105083	3 WAY SOLENOID
5	8	MH100263	TUBE – 3 WAY SOLENOID TO SOFTENER
5	9	MH105119	TUBE - 3 WAY SOLENOID TO NON RETURN DRAIN VALVE
5	10	MH105086	2 WAY SOLENOID TO SOFTENER
5	11	MH100500	SHORT TUBE–TO SOFTENER PVC CLEAR 10x17mm
5	12	MH100288	GASKET–TOP SEAL INSIDE WASH TANK
5	13	MH104000	AUTOMATIC WATER SOFTENER
5	14	MH103825	O RING FOR SOFTENER – BELOW WASH TANK
5	15	MH105101	RING NUT FOR SOFTENER
5	16	MH105102	CAP NUT FOR SOFTENER
5	18	MH105120	DELIVERY TUBE FOR BOILER PRESSURE CHAMBER
5	19	MH105091	RING NUT - OVERFLOW
5	20	MH100444	GASKET-OVERFLOW
5	21	MH105092	OVERFLOW BODY
5	22	MH100584	RINSE 3 WAY HOSE CONNECTOR
5	23	MH105089	TUBE – BOILER FILL UPPER
5	24	MH102166	FILL HOSE – SOLENOID TO BREAKTANK
5	25	MH104173	FILL SOLENOID
5	26	MH100379	GASKET – FILL HOSE
5	27	MH101390	FILL HOSE 3/4" - EXTERNAL
5	28	MH105115	TUBE – RINSE BOILER FEED
5	29	MH104438	CONNECTOR – TUBE TO DRAIN NON RETURN VALVE
5	30	MH100488	O RING 9.92x2.62mm
5	31	MH103932	FLOAT BALL - DRAIN NON RETURN VALVE
5	32	MH103933	GASKET – RUBBER 32x19.5mm
5	33	MH104019	DRAIN NON RETURN VALVE
5	34	MH100355	DRAIN HOSE - EXTERNAL
5	35	MH103935	DRAIN HOSE - INTERNAL
5	40	MH103922	BOSS CONNECTOR
5	41	MH100399	GASKET
5	42	MH100398	AIR BLEED ELBOW
5	43	MH104484	TUBE – AIR BLEED PVC CLEAR 10x14mm
5	44	MH103934	MEMBRANE – ANTI-SYPHON VALVE
5	45	MH104592	DRAIN NON RETURN AND AIR BLEED VALVE COMPLETE
5	46	MH103936	DRAIN TUBE – DRAIN PUMP TO NON RETURN
5	47	MH104583	DRAIN PUMP
5	49	MH103939	DRAIN TUBE – SUMP TO DRAIN PUMP
5	50	MH100511	DRAIN TUBE CONNECTOR

6



Maidaid D515			
Page	Ref	Part Code	Description
6	1	MH104440	GASKET
6	2	MH101115	CENTRAL NUT
6	3	MH100087	SPLIT RING
6	4	MH101973	SPINDLE FOR WASH ARM – LOWER
6	5	MH103831	WASH ARM S/S - LOWER
6	6	MH104385	RINSE ARM COMPLETE S/S - LOWER
6	7	MH103844	GASKET-TEFLON
6	8	MH101101	O RING – RINSE ARM END PLUG
6	9	MH101102	END PLUG – RINSE ARM
6	10	MH104383	RINSE JET
6	12	MH104272	CENTRE BOSS – RINSE ARM
6	13	MH102273	UNION BOSS
6	14	MH102229	RING NUT
6	15	MH103941	RING NUT–WASH/RINSE COLUMN
6	16	MH103942	GASKET – WASH/RINSE COLUMN
6	18	MH104593	SCRAP TRAY FILTER (Left OR Right) – SOLD SEPERATELY
6	20	MH100414	O RING – RINSE ARM BOSS
6	21	MH104373	SPINDLE – RINSE ARM
6	22	MH103846	THUMB NUT
6	30	MH100087	SPLIT RING
6	31	MH104503	SPINDLE FOR WASH ARM - UPPER
6	32	MH104377	WASH ARM COMPOSITE – UPPER L=465mm 10 JETS
6	33	MH104378	RINSE ARM COMPOSITE- UPPER



Maidaid D515

Page	Ref	Part Code	Description
7	1	MH104536	DUAL FLOW WASH PUMP 470 W
7	3	MH103959	COOLING FAN BLADE
7	4	MH102172	CAPACITOR 10mf
7	6	MH103960	LOCK FOR SHAFT SEAL
7	7	MH103961	ROTATING SHAFT SEAL
7	8	MH103962	IMPELLER
7	10	MH103963	SEAL FOR WASH PUMP HOUSING
7	11	MH105106	FRONT PLATE – WASH PUMP
7	12	MH103965	LOCKING RING - FRONT PLATE
7	13	MH103966	SCREW
7	14	MH104483	DUAL FLOW IMPELLER BODY HOUSING