



D511 & D515WS PARTS BOOK

From S/N: 2750144

01-02-2013

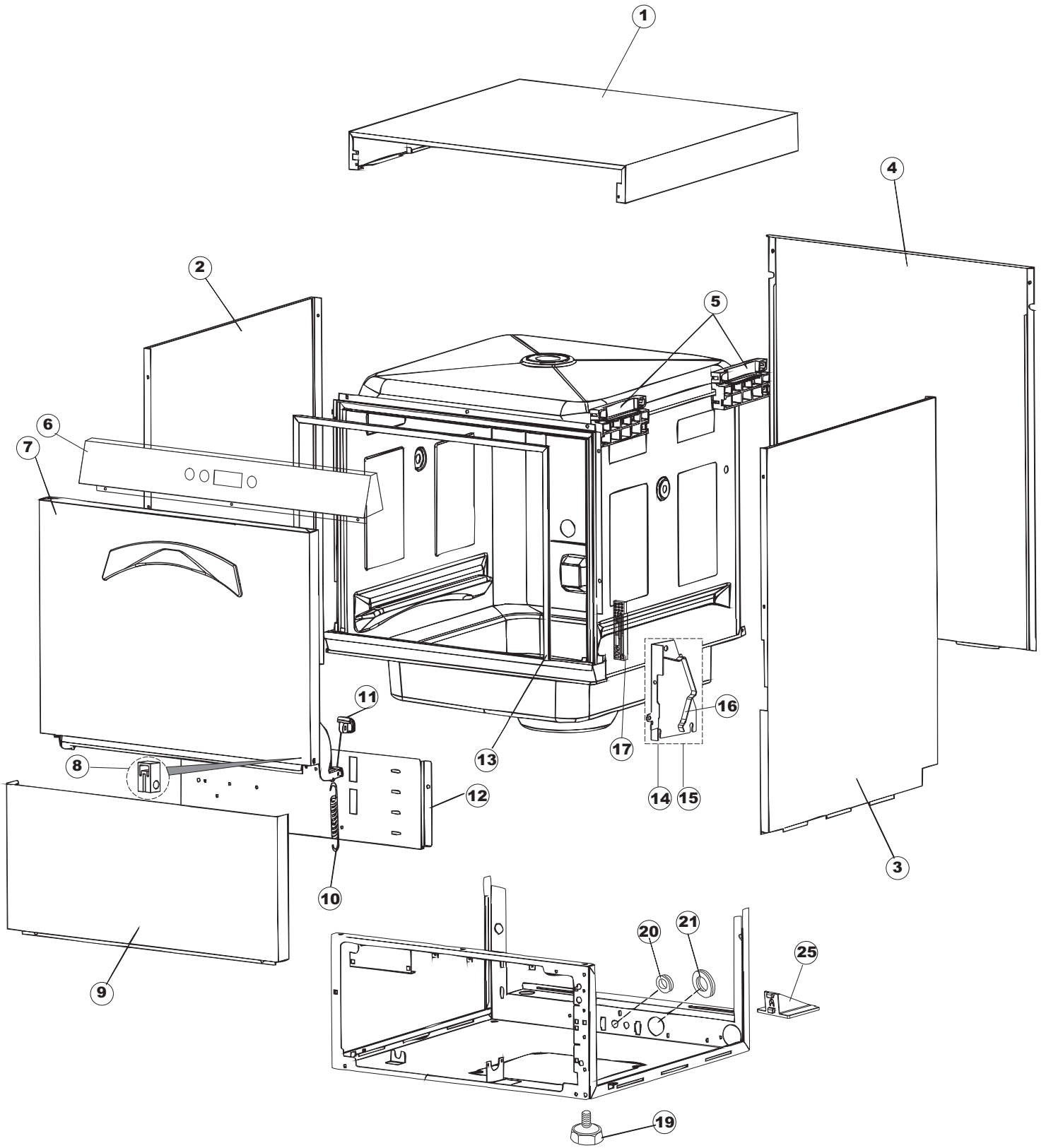
All spares available from



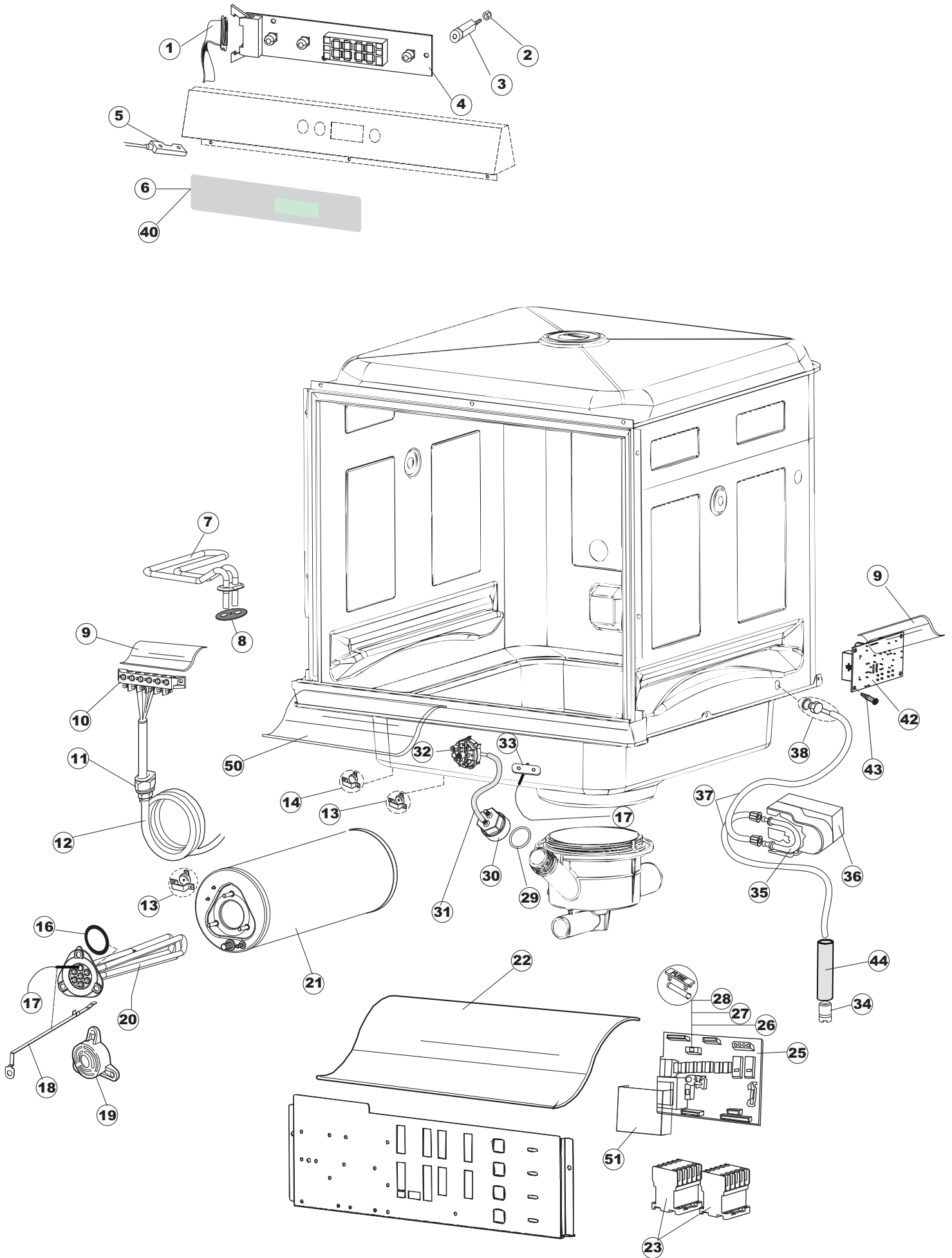
The Engine Shed
Top Station Road
Brackley
NN13 7UG
Tel: 0845 1308060
Fax: 01280 845345
Web: www.caterparts.com

Copyright Notice: All rights reserved. No parts of this manual may be reproduced in any form without express written permission of Maidaid-Halcyon (A trading name of Buttress Group Ltd)

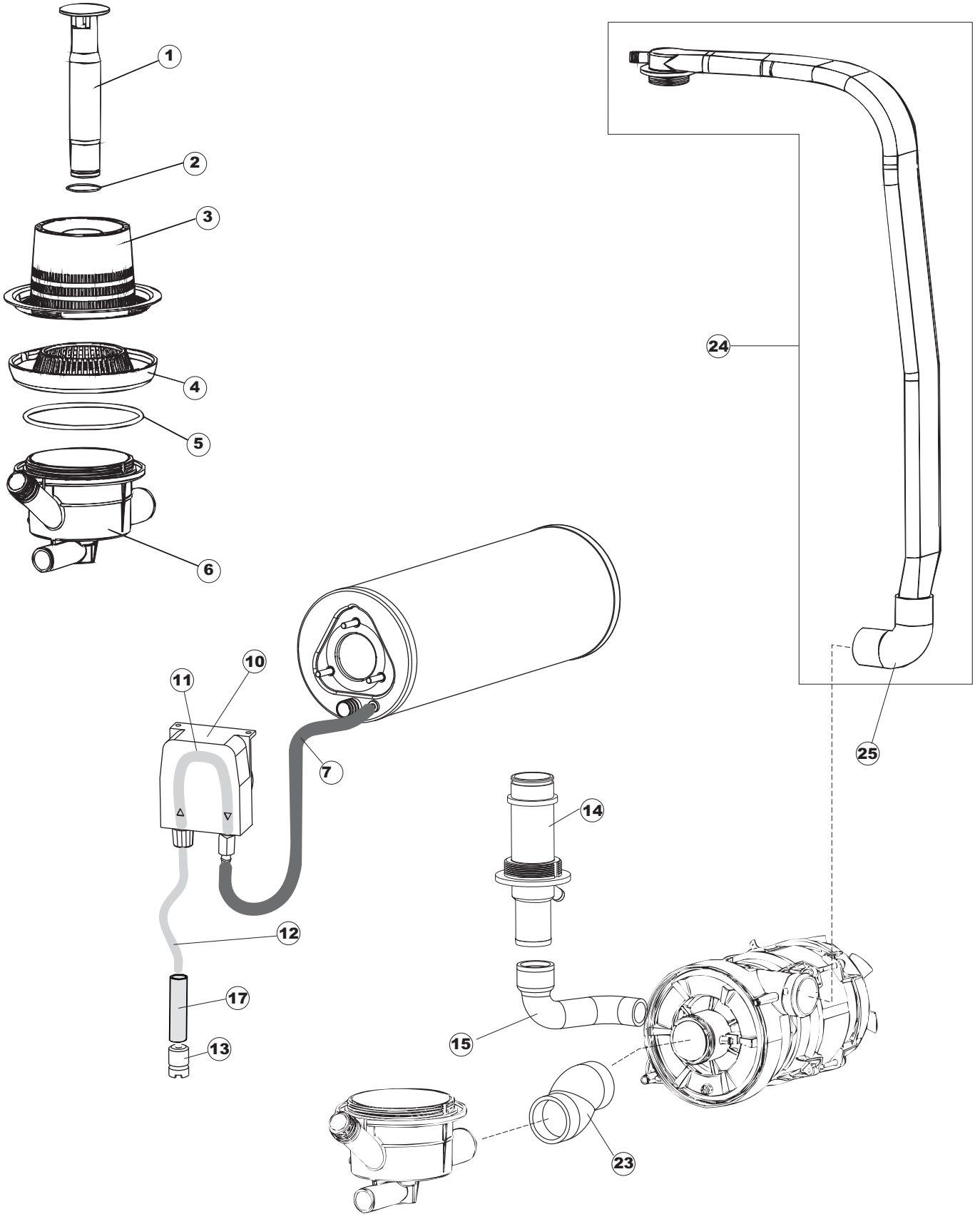
1



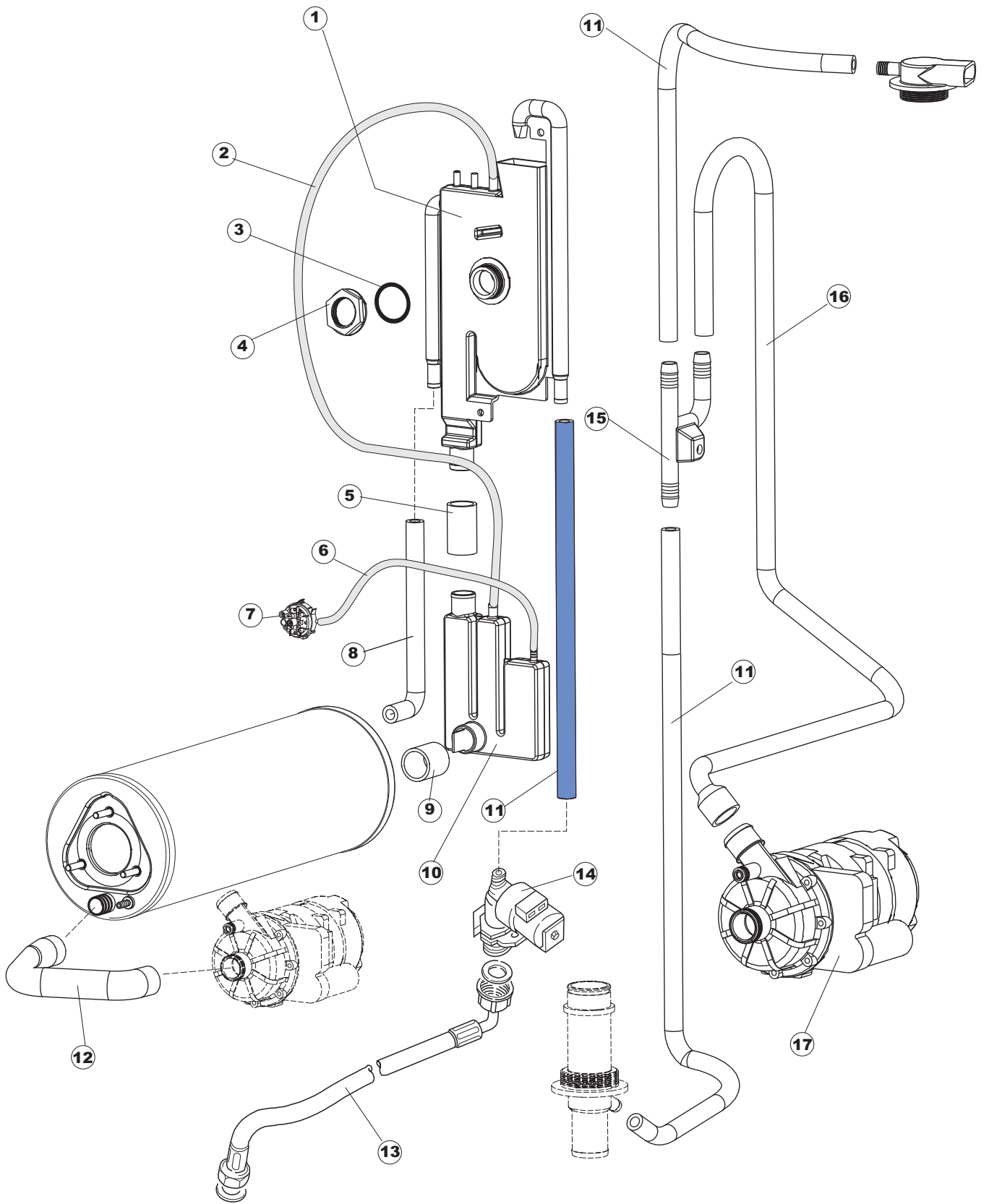
Page	Ref	Part Code	Description
1	1	MH104634	TOP PANEL
1	2	MH103973	SIDE PANEL L/H
1	3	MH103972	SIDE PANEL R/H
1	4	MH103971	BACK PANEL
1	5	MH103894	BRACKET
1	6	MH104632	DISPLAY PANEL
1	7	MH104633	DOOR
1	8	MH103897	HINGE PIVOT CENTERING BLOCK
1	9	MH104618	FRONT PANEL – LOWER
1	10	MH103976	SPRING L=200mm
1	11	MH103896	STOP for HINGE
1	12	MH103898	BRACKET
1	13	MH103951	GASKET for DOOR
1	14	MH103949	DOOR SPRING ASSEMBLY R/H
1	15	MH103950	DOOR SPRING ASSEMBLY L/H
1	16	MH103899	SRING for DOOR HINGE
1	17	MH103952	DOOR ROD STOP
1	19	MH100459	MACHINE FOOT
1	20	MH100347	CABLE GLAND
1	21	MH100457	CABLE GROMMET
1	25	MH104620	PANEL CLOSURES



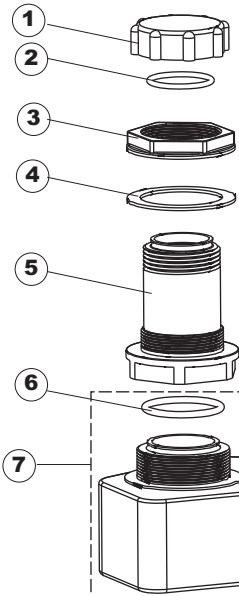
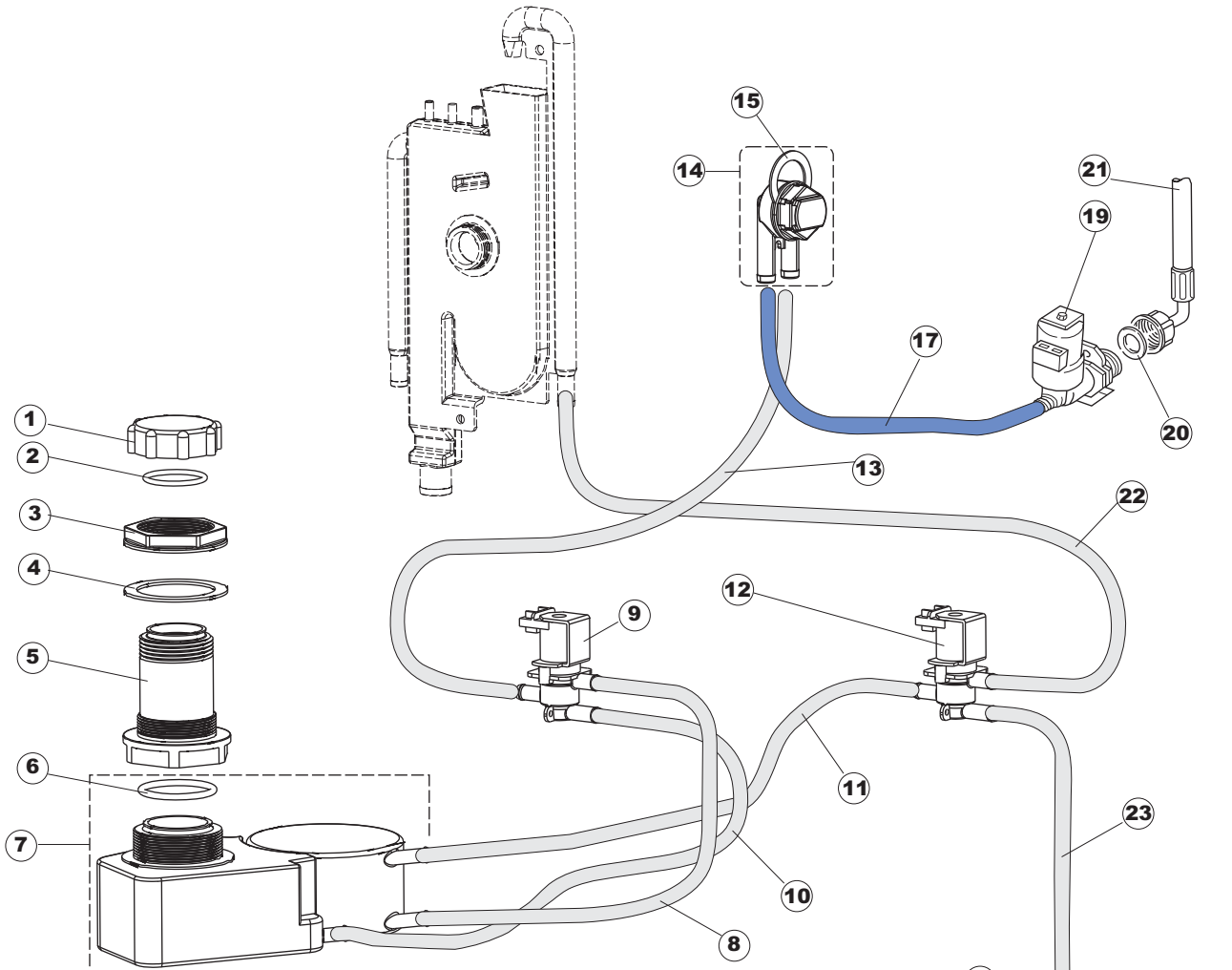
Page	Ref	Part Code	Description
2	1	MH103900	RIBBON CABLE
2	2	MH101355	NUT-M3WHITEPLASTIC
2	3	MH101059	PCB LOCATION SPACER
2	4	MH104545	DISPLAY PCB
2	5	MH100377	DOOR SWITCH
2	6	MH104635	FASCIA D511
2	7	MH104431	ELEMENT 2.1Kw 230V for WASH TANK c/w GASKET
2	8	MH100370	GASKET L=46mm W=22mm – WASH TANK ELEMENT
2	9	MH103912	PROTECTION
2	10	MH100262	TERMINAL BLOCK 6 POLE
2	11	MH100481	CABLE STOP-BLACK
2	13	MH100368	OVERHEAT THERMOSTAT – 95deg C
2	14	MH103821	CONTACT THERMOSTAT 90deg C
2	16	MH100599	GASKET for RINSE ELEMENT
2	17	MH103715	TEMPERATURE PROBE - WASH / RINSE CYCLE
2	18	MH103726	PROBE HOLDER for THERMOSTAT
2	19	MH101070	ELEMENT COVER
2	20	MH100598	ELEMENT 6.5Kw 240V for BOILER - w/o GASKET
2	21	MH103983	BOILER
2	22	MH103820	PLASTIC CURTAIN for CONTROLS 480x300mm
2	23	MH104502	COTACTOR 230V 50-60Hz
2	25	MH104546	PCB BOARD
2	26	MH100580	FUSE 4A
2	27	MH100281	FUSE 2A 5x20T
2	28	MH100580	FUSE 4A
2	29	MH103909	O-RING
2	30	MH103954	CONNECTION NUT for AIR BOX
2	31	MH100353	TUBE 4x7mm – PRESSURE SWITCH (per Mtr)
2	32	MH104479	PRESSURE SWITCH 105/125
2	33	MH100679	PROBE FIXING PLATE
2	34	MH104325	BOTTLE WEIGHT & FILTER
2	35	MH103789	INTERNAL DETERGENT SQUEEZE TUBE 6x10 (MICRODOS)
2	36	MH104637	PERISTALTIC DETERGENT PUMP
2	37	MH101089	TUBE 4x6mm CLEAR (per Mtr.)
2	38	MH104266	DETERGENT ELBOW M12 – METAL
2	40	MH104636	FASCIA D515WS
2	42	MH104594	MAIN PCB BOARD
2	43	MH104622	PCB MOUNT (to be confirmed)
2	44	MH100363	TUBING BOTTLE SUPPORT
2	50	MH103822	PLASTIC PROTECTION for ELECTRICS 550x220mm
2	51	MH103823	AUXILIARY PCB BOARD



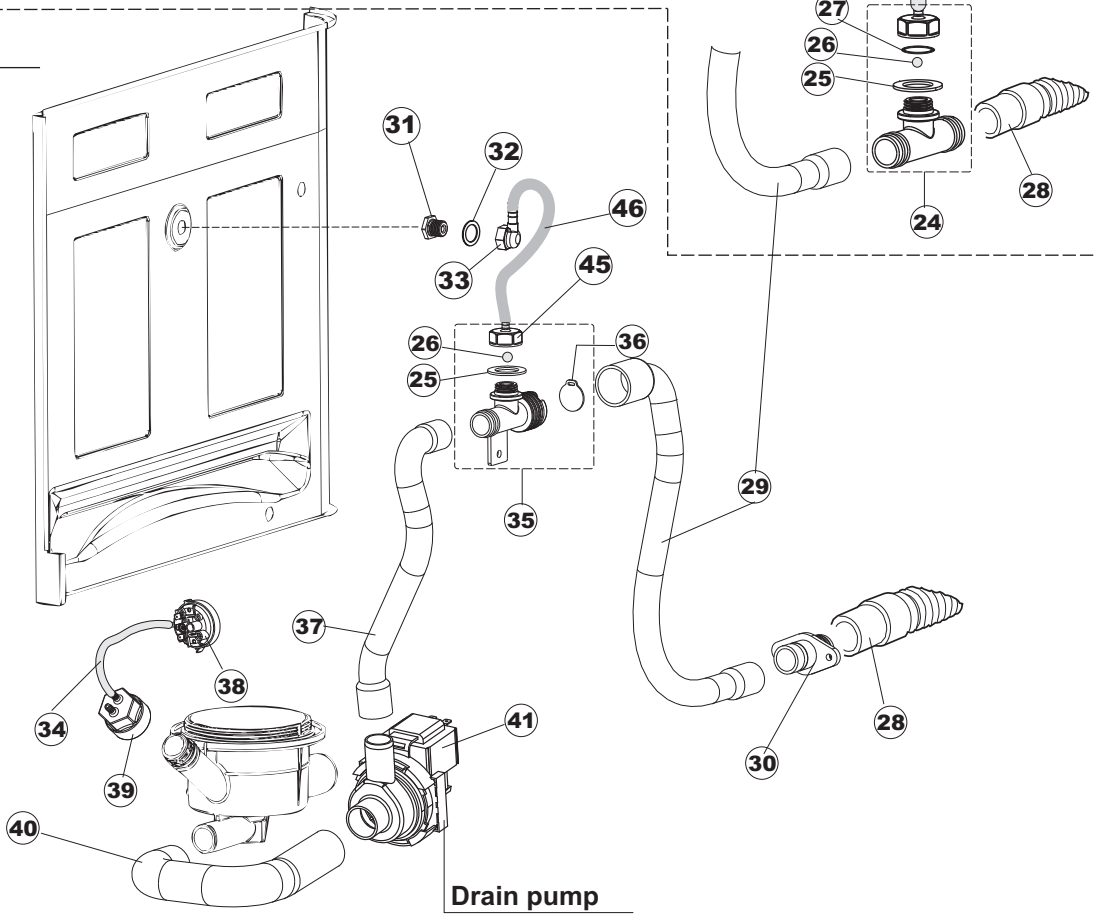
Page	Ref	Part Code	Description
3	1	MH103914	DRAIN PLUG
3	2	MH104029	O-RING for DRAIN PLUG
3	3	MH103915	ASPIRATION FILTER COMPLETE
3	4	MH103918	RING NUT BODY – INLET & DRAIN
3	5	MH103919	O-RING
3	6	MH103920	ASPIRATION & DRAIN BODY
3	7	MH104388	FEED TUBE 5x11mm 100deg C (per Mtr)
3	10	MH104639	PERISTALTIC RINSE AID PUMP
3	11	MH103835	INTERNAL RINSE AID SQUEEZE TUBE 6x10mm
3	12	MH100745	TUBE 4x6mm PVC BLUE (1Mtr pkt)
3	13	MH104325	BOTTLE WEIGHT & FILTER
3	14	MH103931	BOTTOM WASH/RINSE SUPPORT COLUMN
3	15	MH103930	RUBBER INTAKE HOSE
3	17	MH100363	TUBING BOTTLE SUPPORT
3	23	MH103926	ASPIRATION HOSE
3	24	MH103985	WASH PIPELINE – WELDED PLASTIC
3	25	MH103955	WASH CONNECTION ELBOW



Page	Ref	Part Code	Description
4	1	MH103998	AIR GAP- PLASTIC
4	2	MH102695	TUBE 6x9mm (per Mtr)
4	3	MH103996	GASKET – RUBBER
4	4	MH103995	NUT – PLASTIC
4	5	MH103994	RUBBER TUBE
4	6	MH100353	TUBE 4x7mm FOR PRESSURE SWITCH (per Mtr)
4	7	MH103987	PRESSURE SWITCH 35/22
4	8	MH103988	RUBBER TUBE
4	9	MH103991	RUBBER TUBE
4	10	MH103990	BOILER PRESSURE CHAMBER
4	11	MH102166	TUBE WRAS APPROVED (per Mtr)
4	12	MH103989	ASPIRATION HOSE
4	13	MH101144	INLET TUBE ¾”
4	14	MH100380	SOLENOID VALVE SINGLE STRAIGHT 11.5mm
4	15	MH100584	CONNECTOR 3 WAY – RINSE
4	16	MH103993	RUBBER TUBE
4	17	MH103992	BOOSTER PUMP



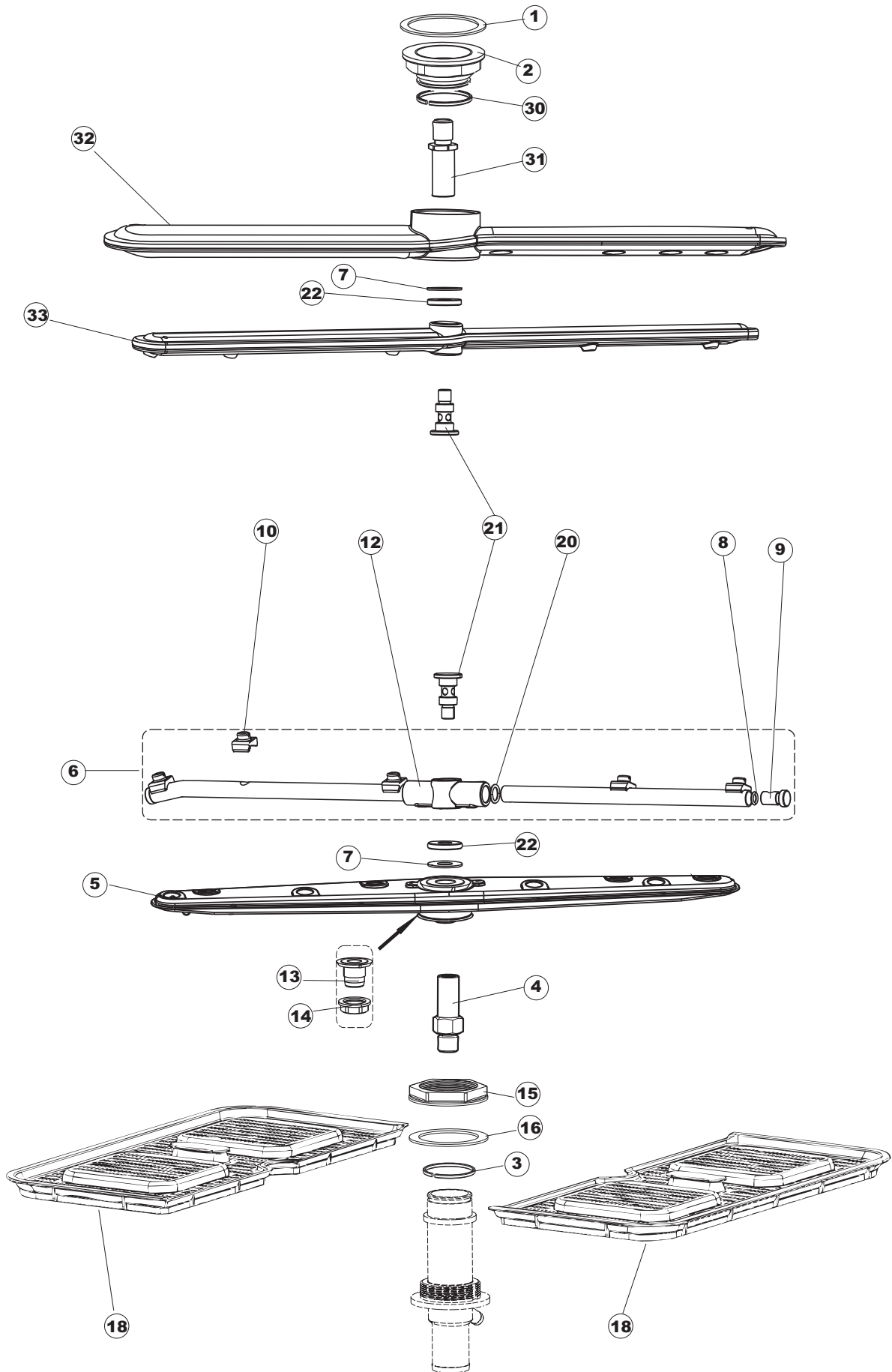
D515WS
Automatic softener



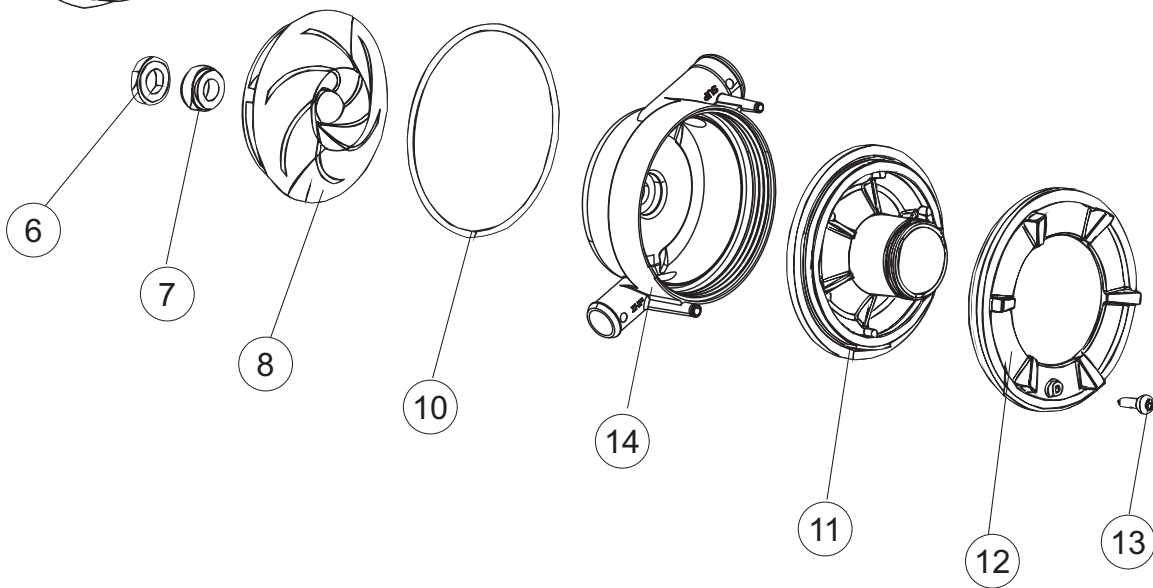
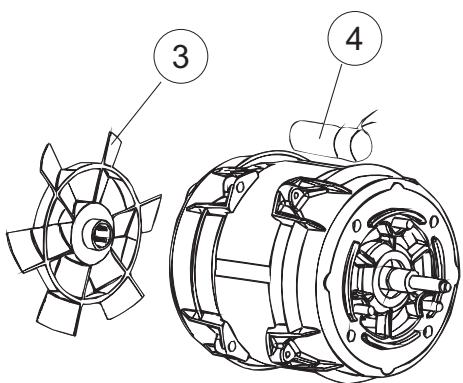
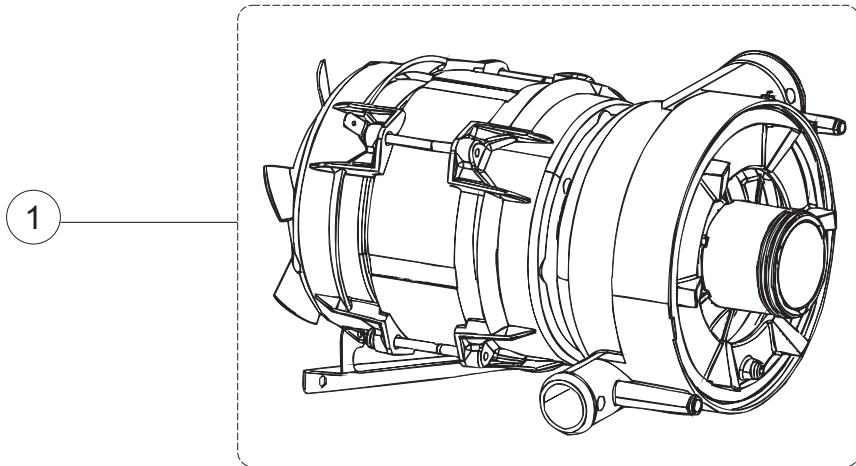
Drain pump

Page	Ref	Part Code	Description
5	1	MH103447	PLUG FOR SALT CONTAINER
5	2	MH101943	O-RING
5	3	MH103941	RING NUT – WASH / RINSE SUPPORT COLUMN
5	4	MH103942	GASKET – WASH / RINSE SUPPORT COLUMN
5	5	MH103999	CONNECTION FOR SALT CONTAINER
5	6	MH100288	O-RING
5	7	MH104000	INTERNAL WATER SOFTENER
5	8	MH100265	TUBE – RUBBER
5	9	MH103824	SOLENOID VALVE 3 WAY
5	10	MH104171	TUBE FOR WATER SOFTENER
5	11	MH100263	TUBE – RUBBER
5	12	MH104002	SOLENOID VALVE –TRIPLE NO RESTRICTOR
5	13	MH100500	TUBE – SOLENOID TO BREAKTANK
5	14	MH104488	AIR BREAK
5	15	MH100444	GASKET FOR TOP WASH FEED
5	17	MH102166	TUBE WRAS APPROVED (per Mtr)
5	19	MH104173	SOLENOID VALVE – SINGLE
5	20	MH100379	WASHER S641 EXPO
5	21	MH101144	INLET HOSE WRAS APPROVED
5	22	MH104003	TUBE – RUBBER
5	23	MH100172	TUBE – RUBBER
5	24	MH104019	DRAIN 'T' CONNECTION FOR SOFTENER
5	25	MH103933	RUBBER GASKET
5	26	MH103932	VALVE SPHERE
5	27	MH100488	O-RING
5	28	MH100355	DRAIN HOSE L=2450mm D=22mm
5	29	MH103935	TUBE – RUBBER
5	30	MH100511	CONNECTOR FOR DRAIN PUMP HOSE
5	31	MH103922	NUT
5	32	MH100399	GASKET
5	33	MH100398	RINSE ELBOW – TOP
5	34	MH100353	TUBE 4x7mm (per Mtr) – PRESSURE SWITCH
5	35	MH104592	ANTI SYPHON VALVE
5	36	MH103934	MEMBRANE
5	37	MH103936	TUBE – RUBBER
5	38	MH103937	PRESSURE SWITCH 165/140
5	39	MH103938	CONNECTION for AIR BOX
5	40	MH103939	RUBBER HOSE
5	41	MH104583	DRAIN PUMP 50Hz
5	45	MH104438	DRAIN CONNECTION
5	46	MH104484	TUBE 10x14mm PVC CLEAR (per Mtr)

6



Page	Ref	Part Code	Description
6	1	MH104440	GASKET
6	2	MH101115	CENTRAL NUT
6	3	MH100615	SPLIT RING
6	4	MH101973	SPINDLE for WASH TANK – TOP
6	5	MH103831	WASH ARM
6	6	MH104385	RINSE ARM COMPLETE
6	7	MH103844	GASKET – TEFLON
6	8	MH101101	O-RING
6	9	MH101102	END PLUG for RINSE ARM
6	10	MH104383	RINSE JET
6	12	MH104272	CENTRE RINSE BOSS
6	13	MH102273	UNION NUT
6	14	MH102229	RING NUT
6	15	MH103941	RING NUT – WASH / RINSE SUPPORT COLUMN
6	16	MH103942	GASKET – WASH / RINSE SUPPORT COLUMN
6	18	MH104593	SCRAP TRAY FILTER
6	20	MH100414	O-RING
6	21	MH104373	RINSE ARM SPINDLE
6	22	MH103846	THUMB NUT
6	30	MH100087	O-RING
6	31	MH104503	SPINDLE for WASH ARM
6	32	MH104377	WASH ARM L=465mm 10 JETS
6	33	MH104378	RINSE ARM



Page	Ref	Part Code	Description
7	1	MH104536	WASH PUMP
7	3	MH103959	COOLING FAN BLADE
7	4	MH102172	CAPACITORV10Mf
7	6	MH103960	LOCK for SHAFT SEAL
7	7	MH103961	ROTATING SHAFT SEAL
7	8	MH103962	IMPELLER
7	10	MH103963	SEAL for WASH PUMP HOUSING
7	11	MH103964	FRONT PLATE
7	12	MH103965	LOCKING RING – FRONT PLATE
7	13	MH103966	SCREW
7	14	MH104483	FRONT COVER IMPELLER HOUSING