



Wiring diagram

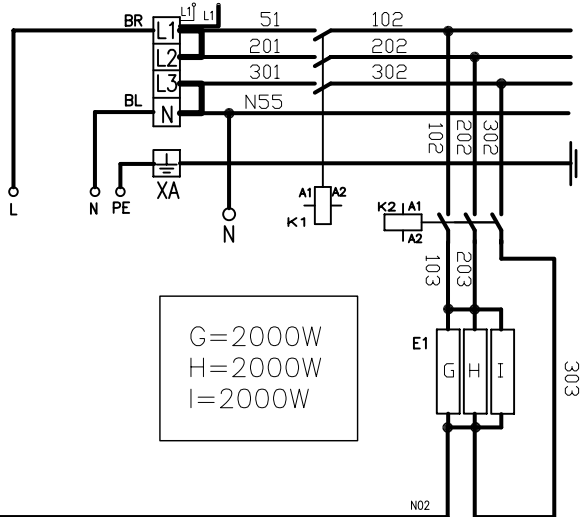
D501

All spares available from

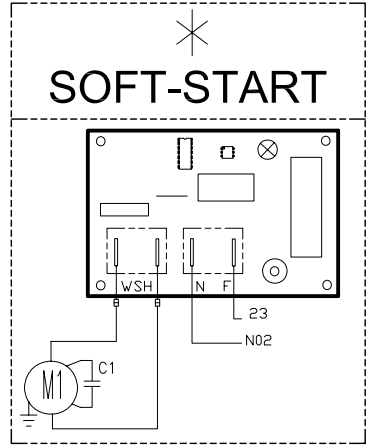
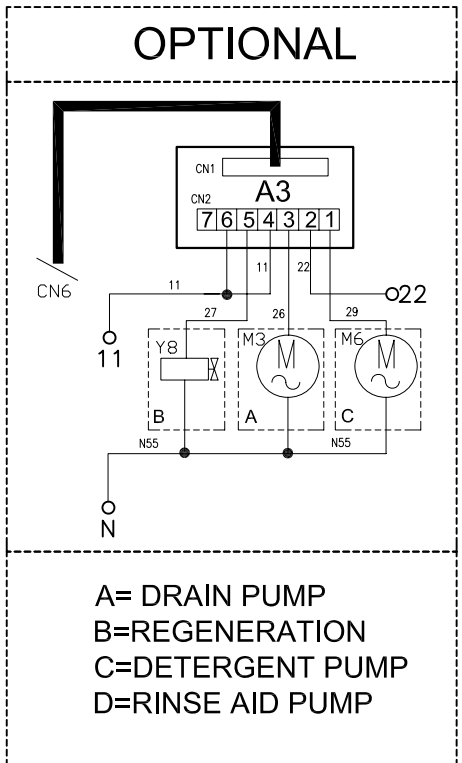
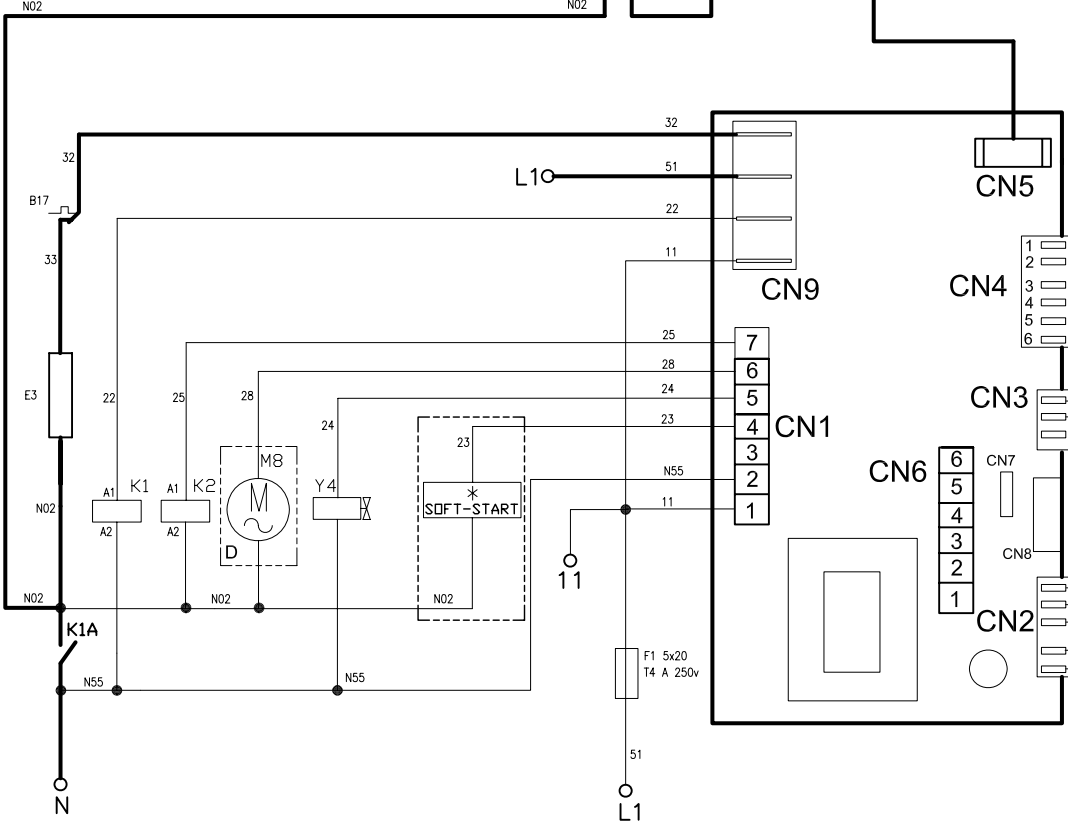


The Engine Shed
Top Station Road
Brackley
NN13 7UG
Tel: 0845 1308060
Fax: 01280 845345

Copyright Notice: All rights reserved. No parts of this manual may be reproduced in any form without express written permission of Maidaid-Halcyon (A trading name of Buttress Group Ltd)



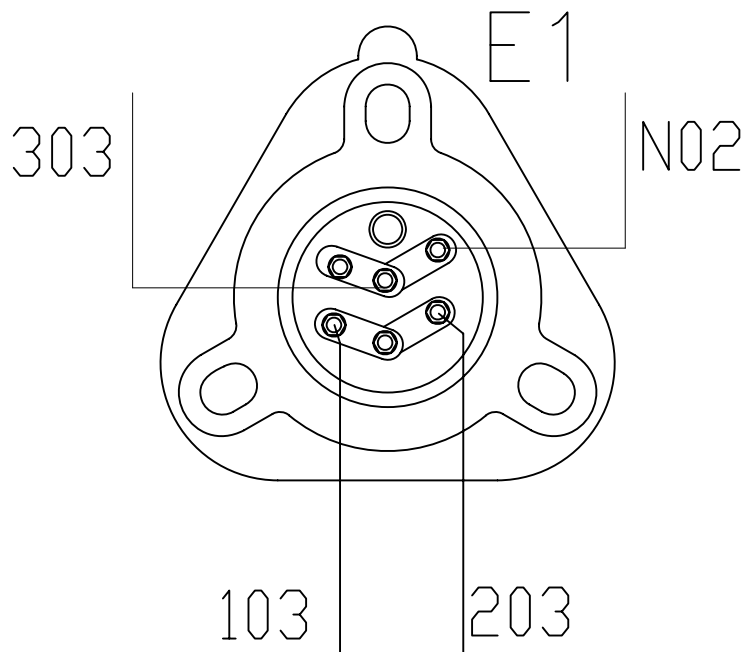
G=2000W
H=2000W
I=2000W



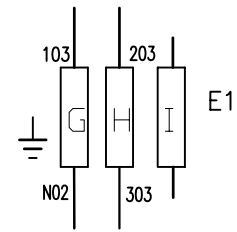
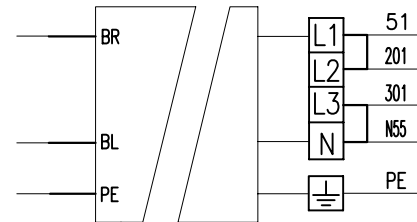
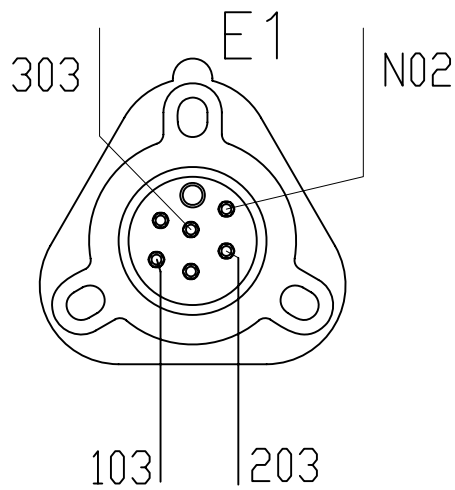
code D501		denomination WIRING DIAGRAM			Code 1232	
re-examined	date 04/02/13					
inspected by Bertolini	date	From S/N 2752395			n°/file	mod
validated by	date 04/02/13	total blat 4	N°blat 1	Next blat -	1232	--

n° MODIFICA	DESCRIZIONE	SDSTITUISCE	DATA

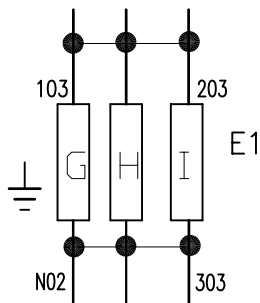
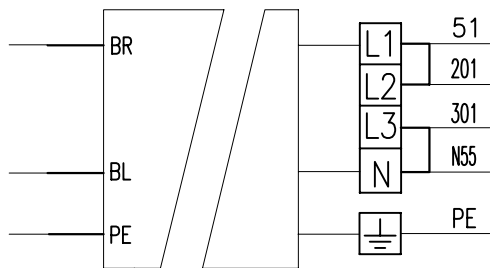
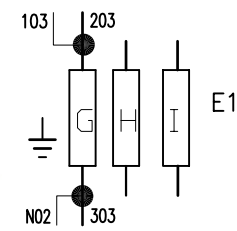
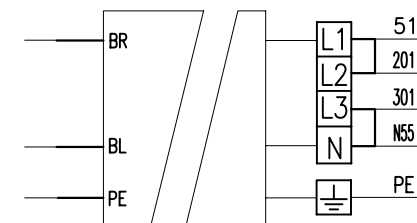
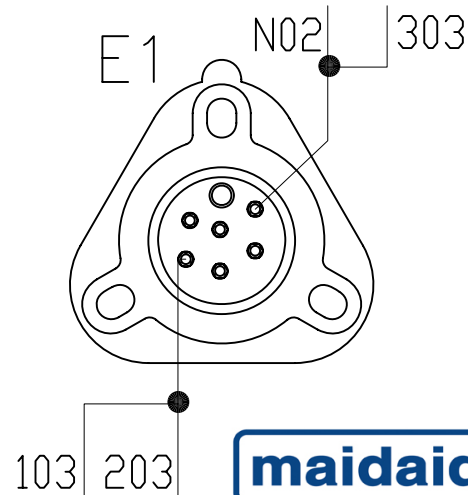
230v 1N 50hz 6,6kw 30A



230v 1N 50hz 4,6kw 20A



230v 1N 50hz 2,6kw 13A

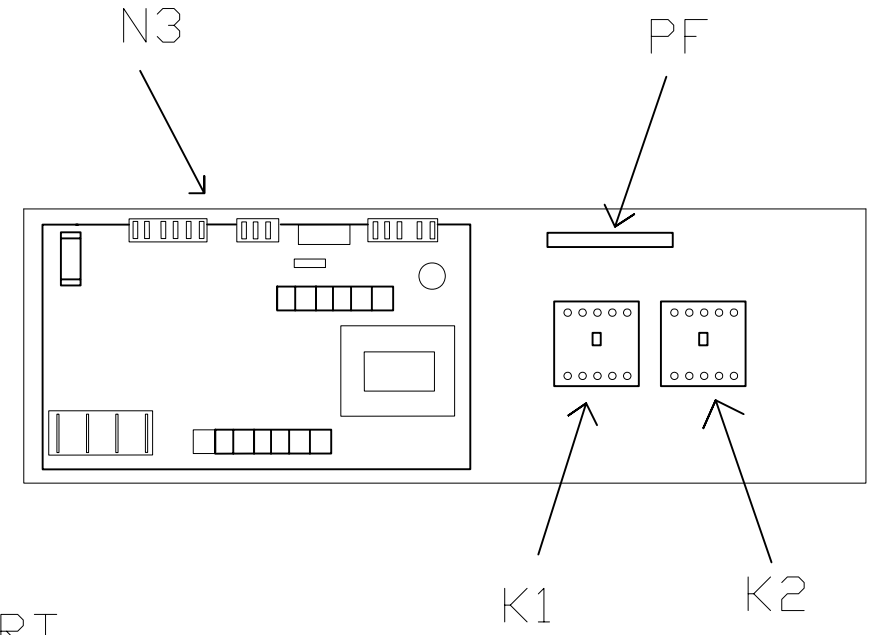
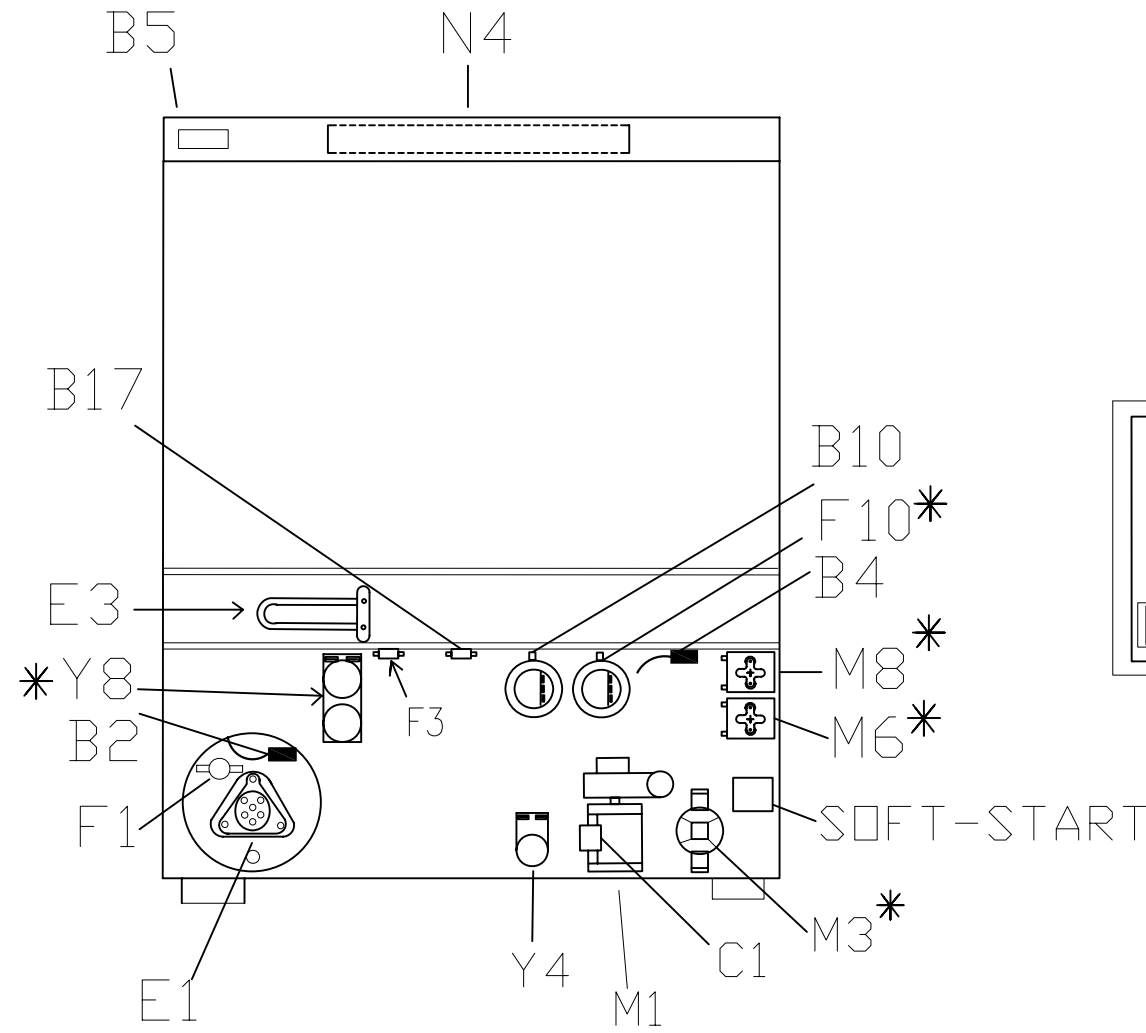


G=2000W
H=2000W
I=2000W

code machine		D501		denomination		Code	
re-examined	date	04/02/13		WIRING DIAGRAMM		1232	
inspected by	date	Bertolini		From S/N 2752395		n°/file	mod
validated by	date	total blat	N° blat	Next blat	1232a		--
	04/02/13	4	2	-			

DESCRIZIONE	SOSTITUISCE	DATA

*
OPTIONAL



n° MODIFICA	DESCRIZIONE	SOSTITUISCE	DATA
-1			
-2			

code machine D501		denomination TOPOGRAPHICAL			Code 1232	
re-examined	date 04/02/13	From S/N 2752395			n°/file	mod
inspected by Bertolini	date				1232T	--
validated by	date 04/02/13	total blatt 4	N°blatt 3	Next blatt -		



	GB	D	F	I	E	P
B2	Boiler probe	Temperaturfühler Durchlauferhitzer	Sonde surchauffeur	Sonda boiler	Palpador de temperatura calderin	Sonda de temperatura caldera
B4	Tank probe	Tanktemperaturfühler	Sonde cuve	Sonda vasca	Palpador de temperatura en la cuba	Sonda de temperatura tanque
B5	Door switch	Reed- Türsicherheitkontaktschalter	Micro contact de porte	Micro porta	Interruptor de puerta	Micro-interruptor porta
B10	Tank level control	Tankniveauschalter	Pressostat de cuve	Controllo livello vasca	Interruptor del nivel en la cuba	Interruptor de nivel tanque
B17	Tank limiting thermostat	Tank begrenzung thermostat	Thermostat de limitation de la cuve	Termostato limitatore vasca	Termostato limitador cuba	Limitador de temperatura caldera
C1	Wash pump noise filter	Funkentörfilter Umwälzpumpe	Condensateur pompe de lavage	Condensatore pompa lavaggio	Condensador bomba de lavado	Condensador bomba lavagem
E1	Boiler heating element	Heizkörper Durchlauferhitzer	Resistance du surchauffeur	Resistenza boiler	Resistencia del calderin	Resistências caldera
E3	Tank heating element	Tankheizung	Resistance de cuve	Resistenza vasca	Resistencia de la cuba	Resistências cuba
Fa	Terminal fuse	Sicherungsklemme	Borne fusible	Porta fusibile		
F1	Boiler safety thermostat	Durchlauferhitzer Temperaturbegrenzer	Thermostat securite surchauffeur	Termostato sicurezza boiler	Limitador de temperatura del calderin	Rgolador de temperatura caldera
F3	Tank safety thermostat	Tanktemperaturbegrenzer	Thermostat securite cuve	Termostato sicurezza vasca	Limitador de temperatura del deposito	Rgolador de temperatura tanque
F10	Tank level safety switch	Überlaufschutz Tankniveauschalter	Pressostat de contrôle niveau Cuve	Sicurezza livello vasca	Interruptor de nivel agua en la cuba	Segurança de nivel tanque
K1	Main relay	Relais EIN / AUS	Relais Marche / Arrêt	Relé di linea	Relé suministro de corriente	Relé de alimentação elétrica
K2	Boiler heating element relay	Durchlauferhitzer Heizkörper Relais	Relais resistance surchauffeur	Relé resistencia boiler	Relé resistencia Calderin	Relé de resistência de caldeira
M1	Wash pump motor	Motor Umwälzpumpe	Moteur pompe lavage	Motore pompa lavaggio	Motor bomba lavado	Motor bomba de lavagem
M3	Drain pump motor	Motor Laugenpumpe	Moteur pompe vidange	Motore pompa scarico	Motor bomba de esgote	Motor bomba de esgoto
M6	Detergent pump motor	Dosiergerät Reiniger	Moteur pompe produit lavage	Dosatore detergente	Dosificador por el detergente	Doseador de detergente
M8	Rinse aid pump motor	Dosiergerät Glänzmittel	Moteur pompe produit de rinçage	Dosatore brillantante	Dosificador abrillantador	Doseador da solução para brilho
N3	Electronic control	Programmschaltwerk Elektronikmodul	Carte controle cycle	Scheda controllo ciclo	Electrónica de control ciclo	Módulo electrónico temporizador de ciclo
N4	Auxiliary electronic control	Zusatzelektroplatine	Carte électronique auxiliaire	Scheda controllo ausiliaria	Electrónico de control auxiliar	Placa electrónica auxiliar
Y4	Fill / hot rinse solenoid valve	Elektromagnetventil Füllen / Klarspülung warm	Electrovanne remplissage	Electrovalvola carico / risciacquo caldo	Válvula magnética de entrada / enjuague caliente	Válvula magnética de entrada / enxague quente
Y8	Regeneration solenoid switch valve	Regenerieren Elektromagnet wechselventil	Electrovanne échangeur régénération	Electrovalvola scambiatrice di rigenerazione	Válvula cambiadora de regeneración	Válvula cambiasta de regeneração