



D501

PARTS BOOK

From S/N: 2752395

01-02-2013

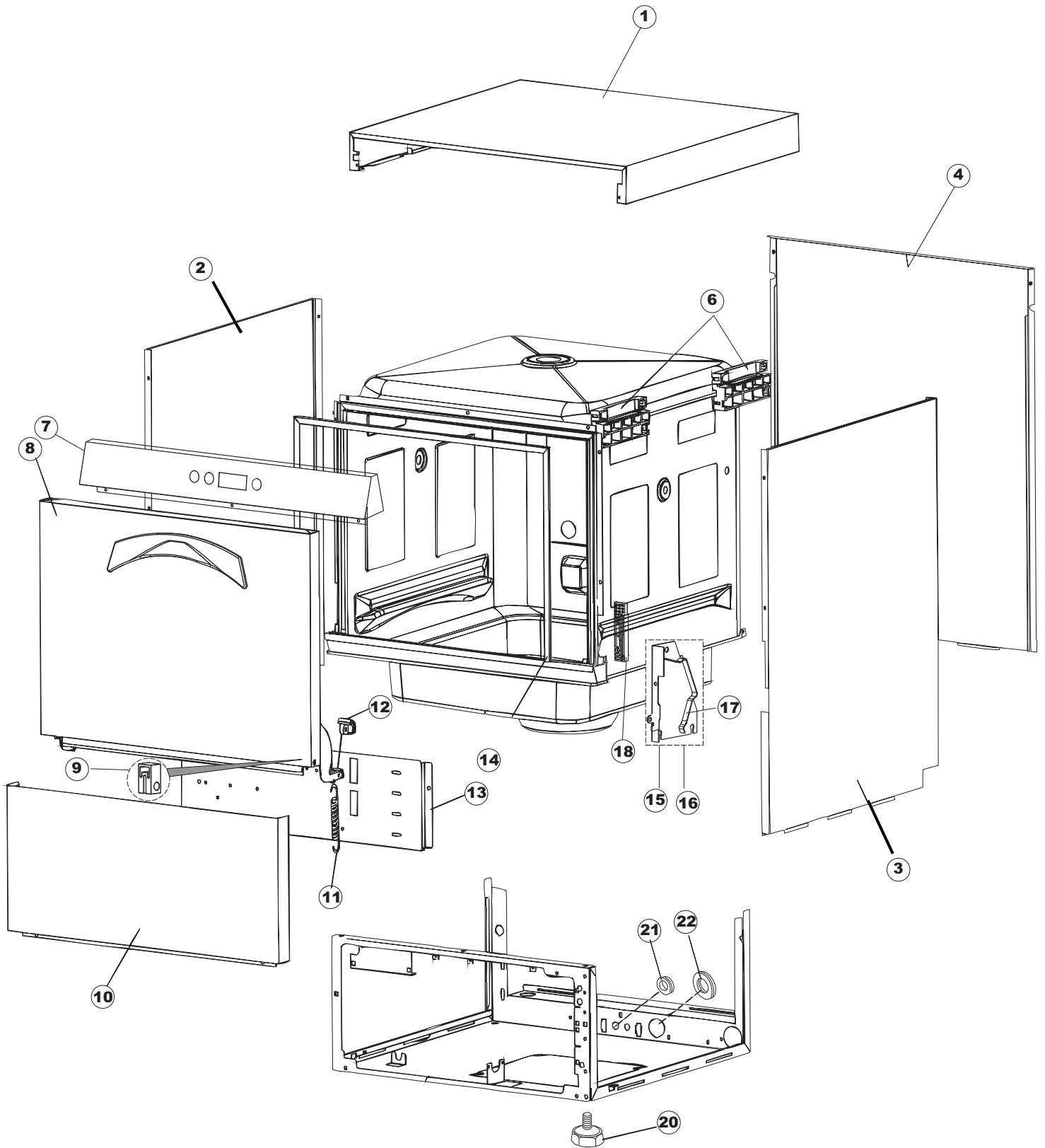
All spares available from



The Engine Shed
Top Station Road
Brackley
NN13 7UG
Tel: 0845 1308060
Fax: 01280 845345
Web: www.caterparts.com

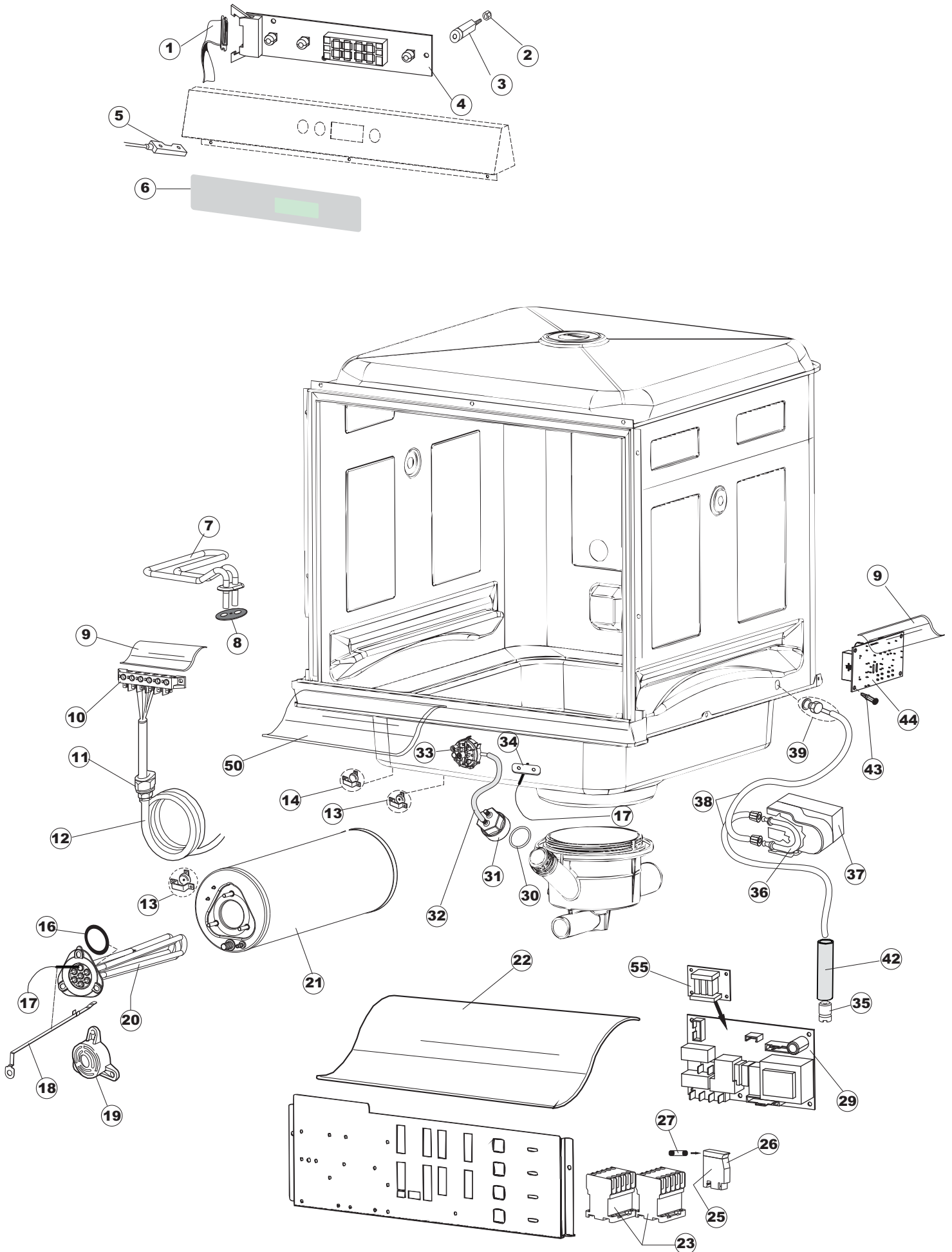
Copyright Notice: All rights reserved. No parts of this manual may be reproduced in any form without express written permission of Maidaid-Halcyon (A trading name of Buttress Group Ltd)

1

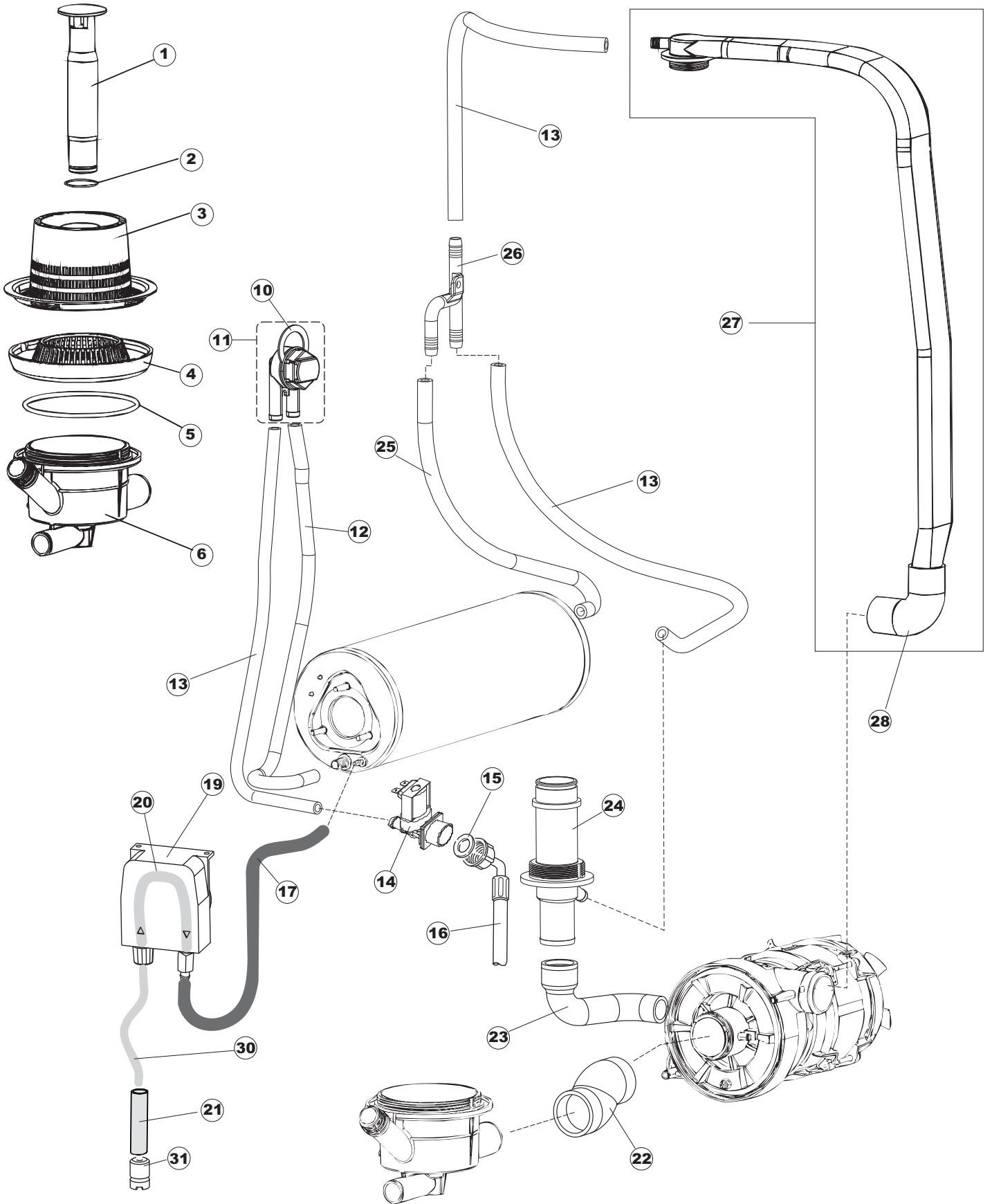


Page	Ref	Part Code	Description
1	1	MH103891	TOP PANEL
1	2	MH103892	SIDE PANEL L/H
1	3	MH103893	SIDE PANEL R/H
1	4	MH103946	BACK PANEL
1	6	MH103894	BRACKET
1	7	MH104632	DISPLAY PANEL
1	8	MH104633	DOOR
1	9	MH103897	HINGE PIVOT CENTERING BLOCK
1	10	MH104618	FRONT PANEL – LOWER
1	11	MH101964	BALANCE SPRING for DOOR COUNTER L=150mm
1	12	MH103896	STOP for HINGE
1	13	MH103898	BRACKET
1	14	MH103951	GASKET for DOOR
1	15	MH103949	DOOR SPRING ASSEMBLY R/H
1	16	MH103950	DOOR SPRING ASSEMBLY L/H
1	17	MH103899	SRING for DOOR HINGE
1	18	MH103952	DOOR ROD STOP
1	20	MH100459	MACHINE FOOT
1	21	MH100347	CABLE GLAND
1	22	MH100457	CABLE GROMMET

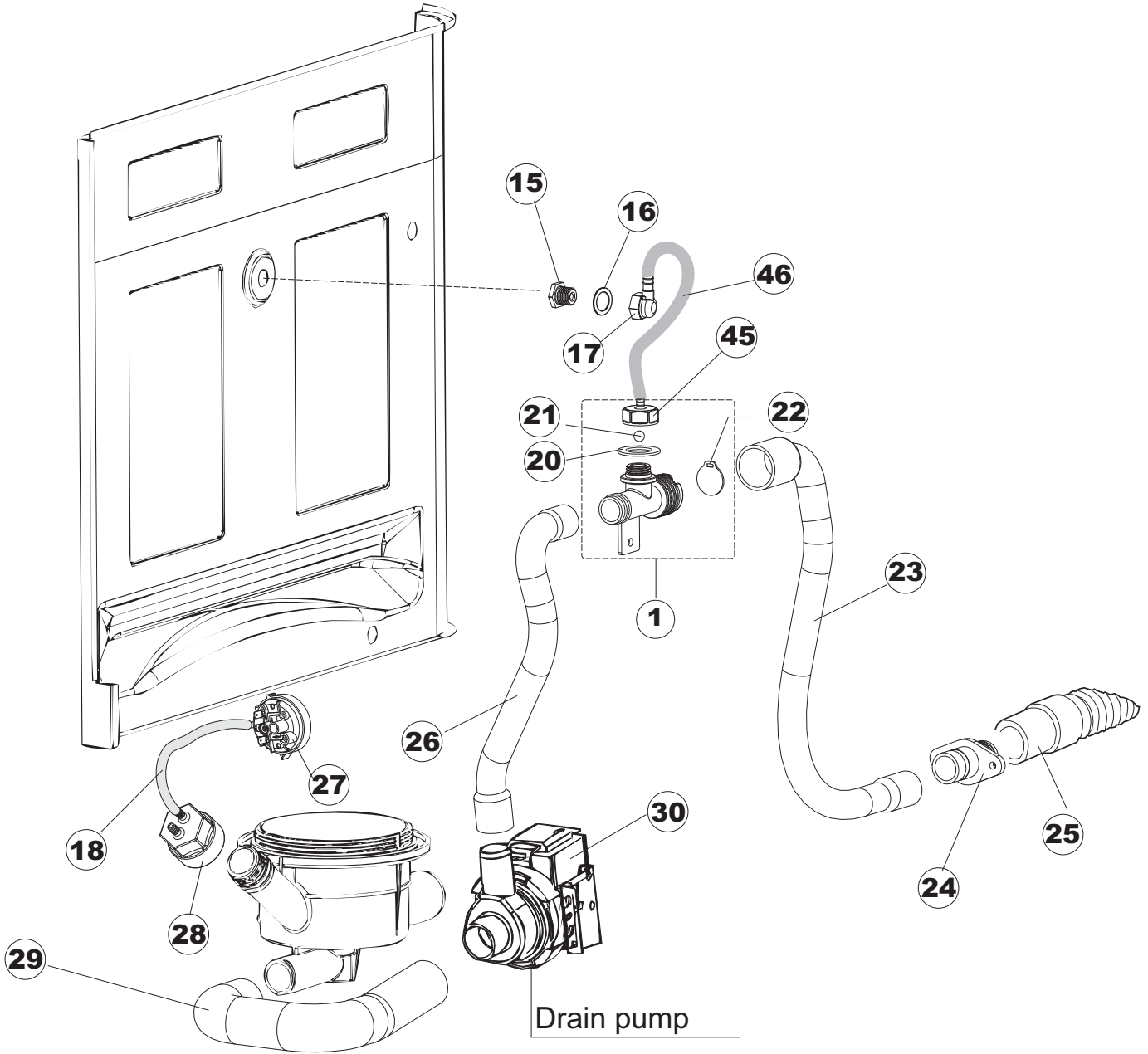
2



Page	Ref	Part Code	Description
2	1	MH103900	RIBBON CABLE
2	2	MH101355	NUT – M3 WHITE PLASTIC
2	3	MH101059	PCB LOCATION SPACER
2	4	MH104545	DISPLAY PCB
2	5	MH100377	DOOR SWITCH
2	6	MH104638	FASCIA
2	7	MH104431	ELEMENT 2.1Kw 230V for WASH TANK c/w GASKET
2	8	MH100370	GASKET L=46mm W=22mm – WASH TANK ELEMENT
2	9	MH103912	PROTECTION
2	10	MH100262	TERMINAL BLOCK 6 POLE
2	11	MH100481	CABLE STOP – BLACK
2	13	MH100368	SAFETY THERMOSTAT 95deg C for WASH TANK
2	14	MH103821	CONTACT THERMOSTAT 90deg C
2	16	MH100599	GASKET for RINSE ELEMENT
2	17	MH103715	TEMPERATURE PROBE - WASH / RINSE CYCLE
2	18	MH103726	PROBE HOLDER for THERMOSTAT
2	19	MH101070	ELEMENT COVER
2	20	MH100598	ELEMENT 6.5Kw 240V for BOILER - w/o GASKET
2	21	MH103911	BOILER dia. 145mm L=405mm
2	22	MH100976	PLASTIC PROTECTION for ELECTRICS 215x290mm
2	23	MH104502	COTACTOR 230V 50-60Hz
2	25	MH103968	FIXING PLATE
2	26	MH103967	HOLDER for FUSE
2	27	MH100580	FUSE 4A
2	29	MH104552	MAIN PCB BOARD
2	30	MH103909	O-RING
2	31	MH103938	CONNECTION for AIR BOX
2	32	MH100353	TUBE 4x7mm (per Mtr) for PRESSURE SWITCH
2	33	MH104479	PRESSURE SWITCH 105/125
2	34	MH100679	PROBE FIXING PLATE
2	35	MH104325	BOTTLE WEIGHT & FILTER
2	36	MH103789	INTERNAL DETERGENT SQUEEZE TUBE 6x10mm (MICRODOS)
2	37	MH104543	PERISTALTIC DETERGENT PUMP (NOT TIMED)
2	38	MH101089	TUBE 4x6mm CLEAR (per Mtr)
2	39	MH104266	DETERGENT ELBOW M12 – METAL
2	42	MH100363	TUBING BOTTLE SUPPORT
2	43	MH104622	PCB MOUNT (to be confirmed)
2	44	MH104594	MAIN PCB BOARD
2	50	MH103822	PLASTIC PROTECTION for ELECTRICS 550x220mm
2	55	MH104512	AUXILIARY PCB BOARD

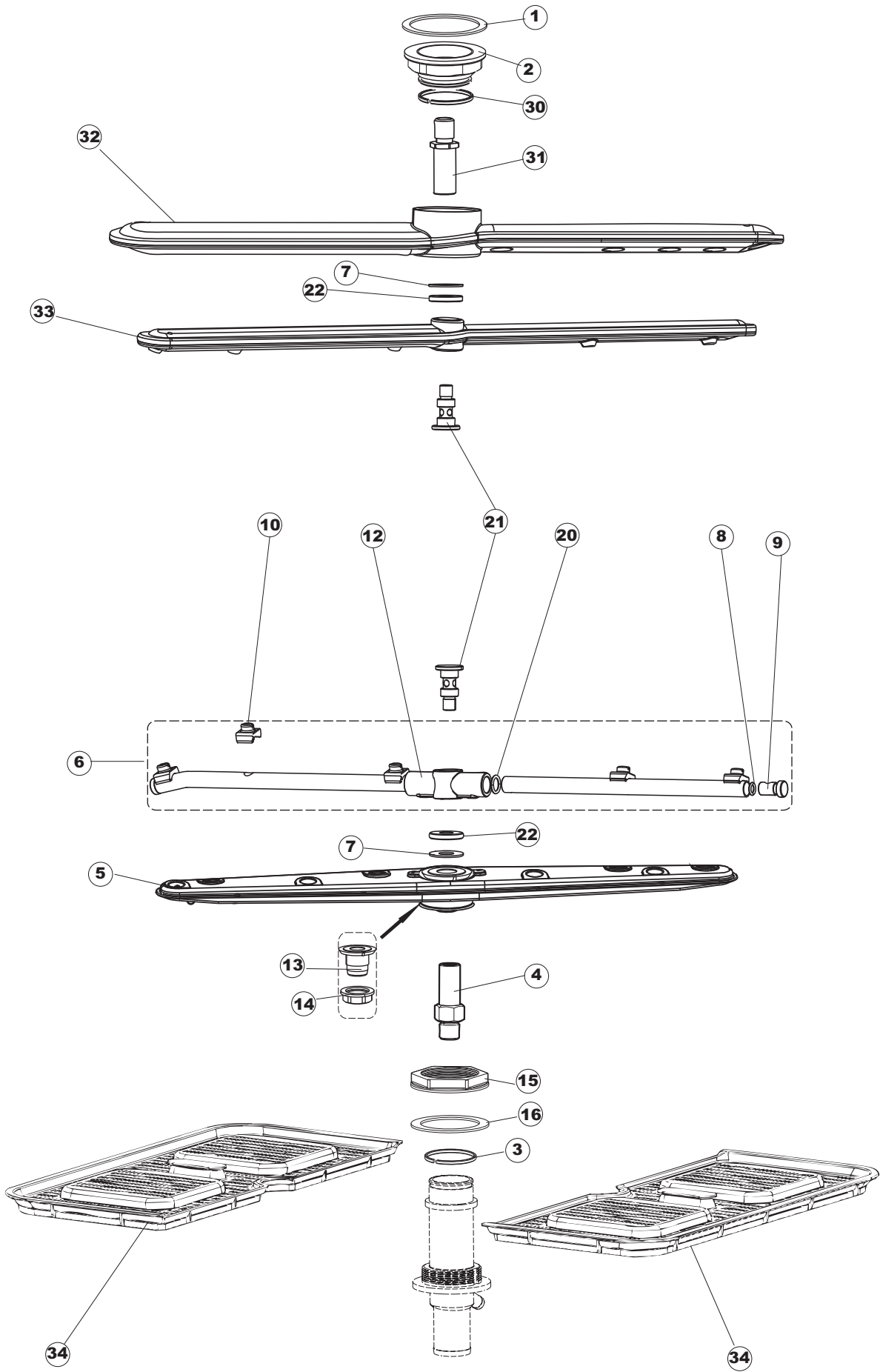


Page	Ref	Part Code	Description
3	1	MH103914	DRAIN PLUG
3	2	MH104029	O-RING for DRAIN PLUG
3	3	MH103915	ASPIRATION FILTER COMPLETE
3	4	MH103918	RING NUT BODY – INLET & DRAIN
3	5	MH103919	O-RING
3	6	MH103920	ASPIRATION & DRAIN BODY
3	10	MH100444	GASKET for TOP WASH FEED
3	11	MH104488	AIR BOX
3	12	MH103924	RUBBER TUBE
3	13	MH100500	PRESSURE TUBE 10x17mm
3	14	MH100380	SOLENOID VALVE SINGLE STRAIGHT 11.5mm
3	15	MH100379	WASHER S641 EXPO
3	16	MH101144	INLET HOSE ¾" WRAS APPROVED
3	17	MH104388	TUBE 5x11mm 100deg C (per Mtr) RINSE AID BOILER
3	19	MH104547	PERISTALTIC RINSE AID PUMP (NOT TIMED)
3	20	MH103835	INTERNAL RINSE AID SQUEEZE TUBE 6x10mm
3	21	MH100363	TUBING BOTTLE SUPPORT
3	22	MH103926	ASPIRATION HOSE
3	23	MH103930	RUBBER INTAKE HOSE
3	24	MH103931	BOTTOM WASH / RINSE SUPPORT COLUMN
3	25	MH103923	RUBBER TUBE
3	26	MH100584	CONNECTOR 3 WAY – RINSE
3	27	MH103925	WASH PIPELINE WELDED PLASTIC
3	28	MH103955	WASH CONNECTION ELBOW
3	30	MH100745	TUBE 4x6mm PVC BLUE (1 Mtr pkt)
3	31	MH104325	BOTTLE WEIGHT & FILTER



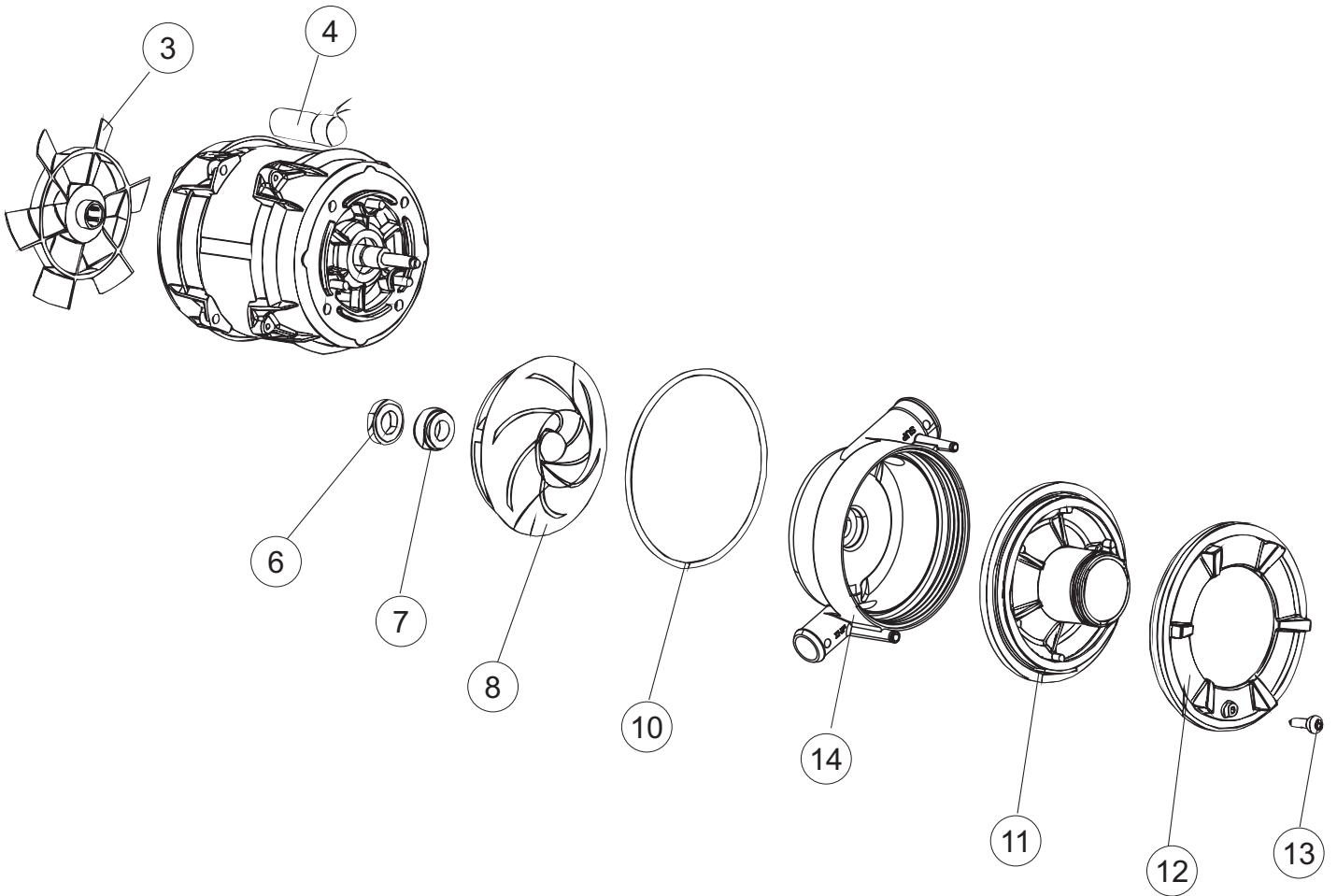
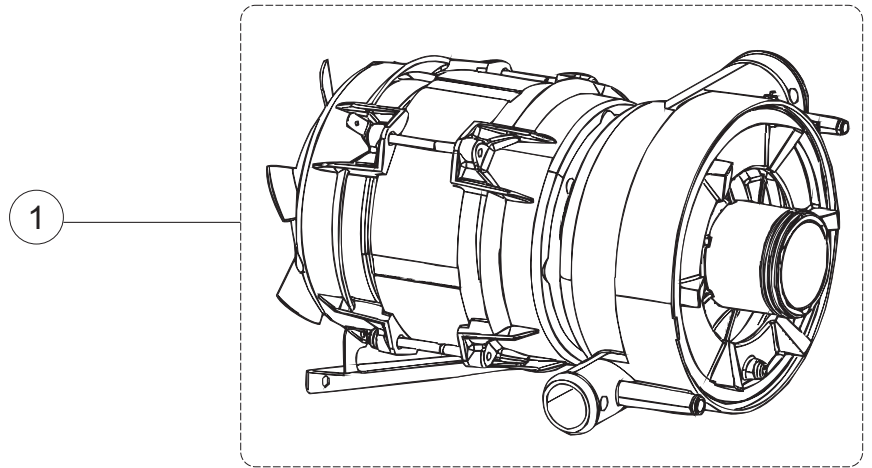
Page	Ref	Part Code	Description
4	1	MH104592	DRAIN PUMP AIR RELEASE VALVE
4	15	MH103922	RING NUT
4	16	MH100399	GASKET
4	17	MH100398	RINSE ELBOW – TOP
4	18	MH100353	TUBE 4x7mm (per Mtr) – PRESSURE SWITCH
4	20	MH103933	RUBBER GASKET
4	21	MH103932	VALVE SPHERE
4	22	MH103934	MEMBRANE
4	23	MH103935	RUBBER TUBE
4	24	MH100511	CONNECTOR for DRAIN PUMP HOSE
4	25	MH100355	DRAIN HOSE L=2450mm D=22mm
4	26	MH103936	RUBBER TUBE
4	27	MH103937	PRESSURE SWITCH 165/140
4	28	MH103938	CONNECTION for AIR BOX
4	29	MH103939	RUBBER TUBE
4	30	MH104583	DRAIN PUMP 50Hz
4	45	MH104438	DRAIN CONNECTION
4	46	MH104484	TUBE 10x14mm PVC CLEAR (per Mtr)

5



Page	Ref	Part Code	Description
5	1	MH104440	GASKET
5	2	MH101115	CENTRAL NUT
5	3	MH100615	SPLIT RING
5	4	MH101973	SPINDLE for WASH TANK – TOP
5	5	MH103831	WASH ARM
5	6	MH104385	RINSE ARM COMPLETE
5	7	MH103844	GASKET – TEFLON
5	8	MH101101	O-RING
5	9	MH101102	END PLUG for RINSE ARM
5	10	MH104383	RINSE JET
5	12	MH104272	CENTRE RINSE BOSS
5	13	MH102273	UNION NUT
5	14	MH102229	RING NUT
5	15	MH103941	RING NUT – WASH / RINSE SUPPORT COLUMN
5	16	MH103942	GASKET – WASH / RINSE SUPPORT COLUMN
5	20	MH100414	O-RING
5	21	MH104373	RINSE ARM SPINDLE
5	22	MH103846	THUMB NUT
5	30	MH100087	O-RING
5	31	MH104503	SPINDLE for WASH ARM
5	32	MH104377	WASH ARM L=465mm 10 JETS
5	33	MH104378	RINSE ARM
5	34	MH104593	SCRAP TRAY FILTER

6



Page	Ref	Part Code	Description
6	1	MH104536	WASH PUMP
6	3	MH103959	COOLING FAN BLADE
6	4	MH102172	CAPACITORV10Mf
6	6	MH103960	LOCK for SHAFT SEAL
6	7	MH103961	ROTATING SHAFT SEAL
6	8	MH103962	IMPELLER
6	10	MH103963	SEAL for WASH PUMP HOUSING
6	11	MH103964	FRONT PLATE
6	12	MH103965	LOCKING RING – FRONT PLATE
6	13	MH103966	SCREW
6	14	MH104483	FRONT COVER IMPELLER HOUSING