



# C501 & C505WS PARTS BOOK

From S/N: 2750240

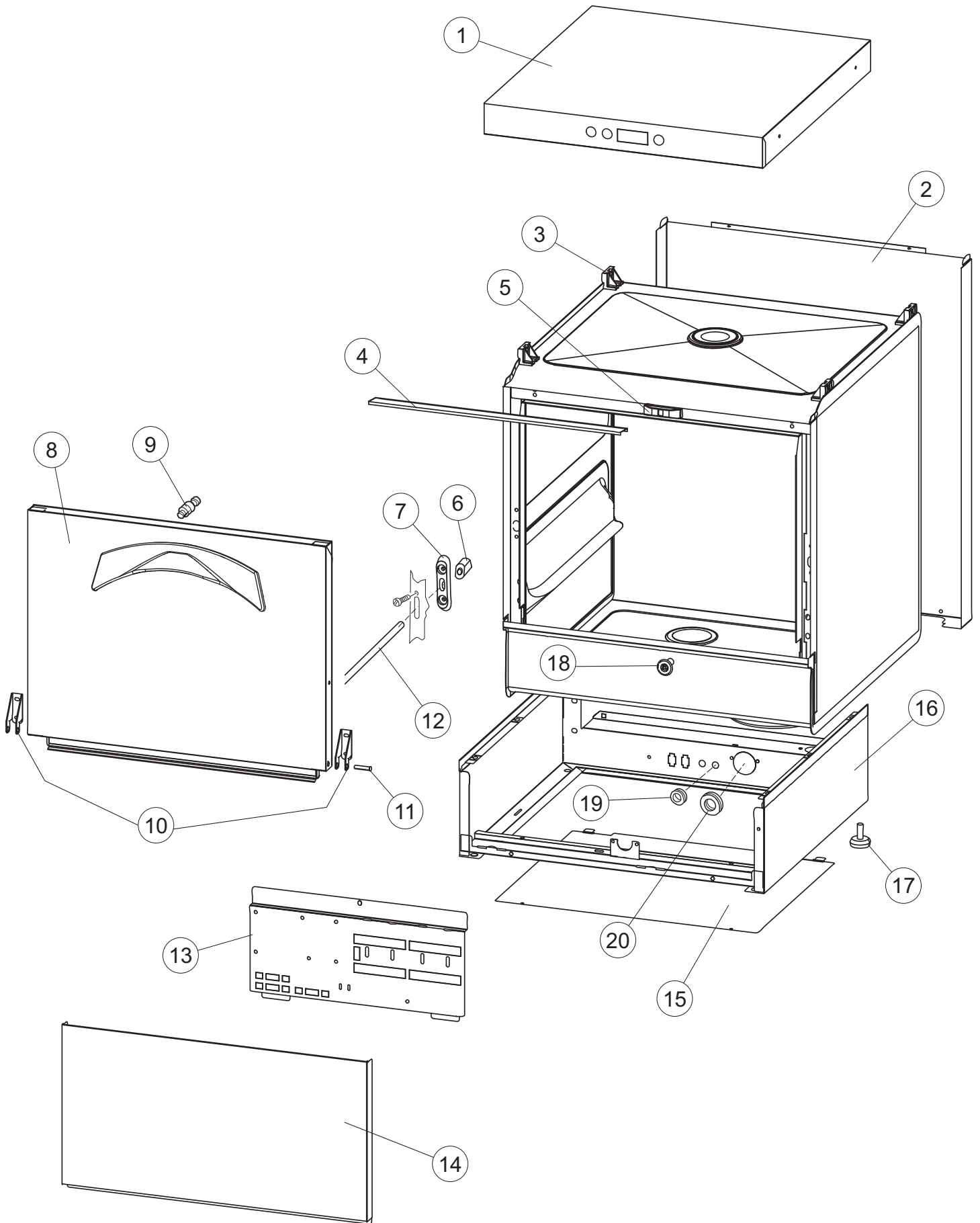
**All spares available from**



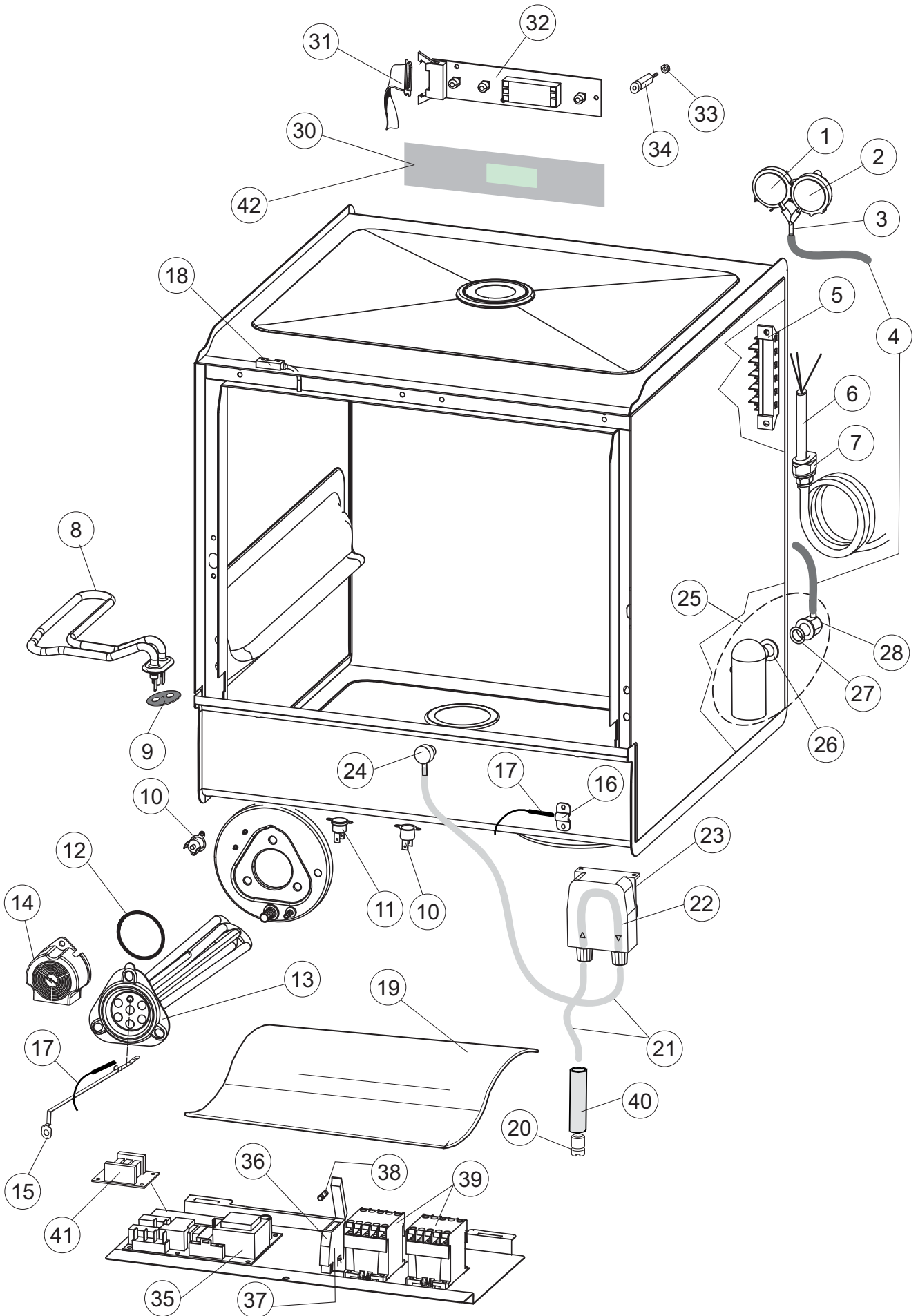
The Engine Shed  
Top Station Road  
Brackley  
NN13 7UG  
Tel: 0845 1308060  
Fax: 01280 845345  
Web: [www.caterparts.com](http://www.caterparts.com)

**Copyright Notice:** All rights reserved. No parts of this manual may be reproduced in any form without express written permission of Maidaid-Halcyon (A trading name of Buttress Group Ltd)

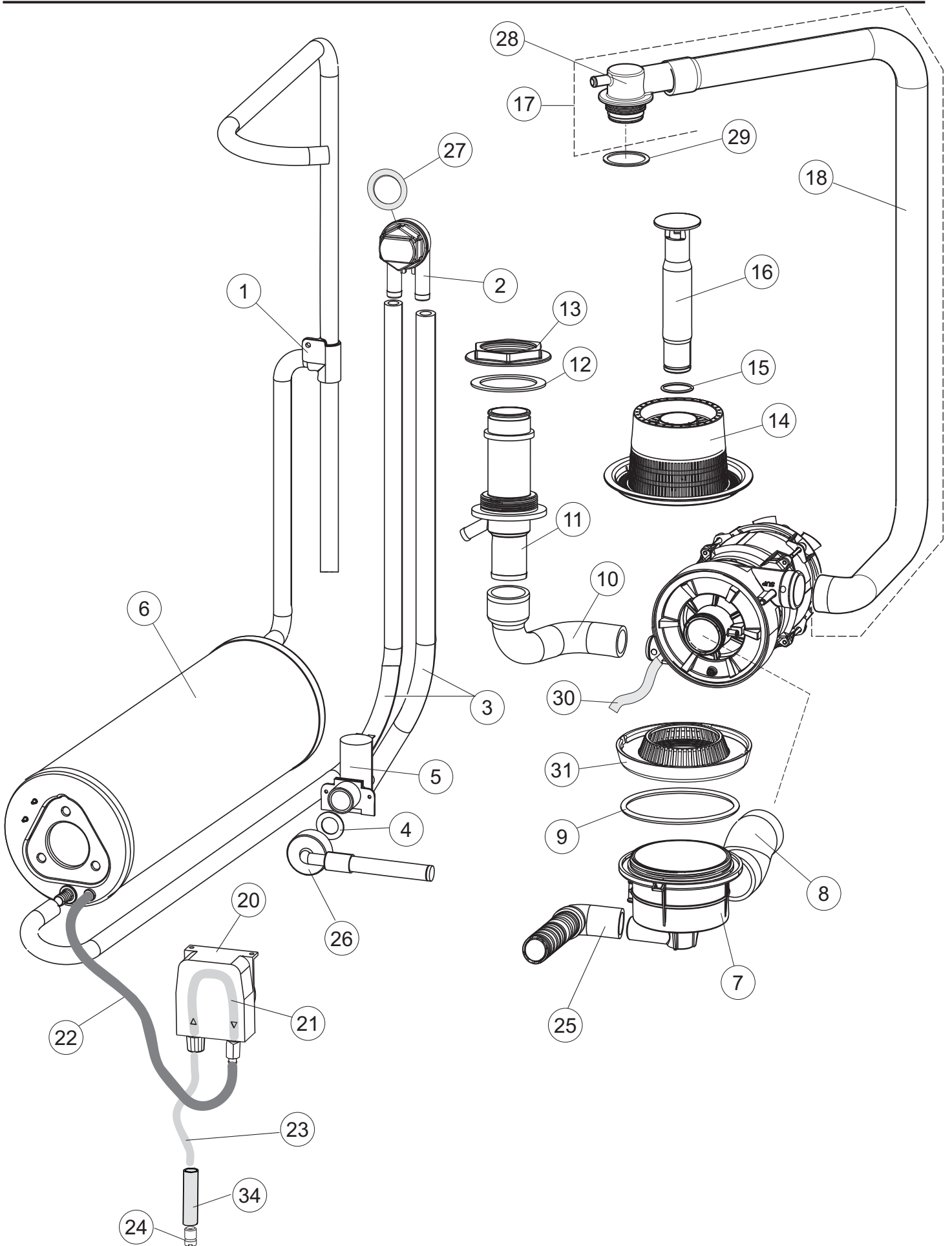
# 1



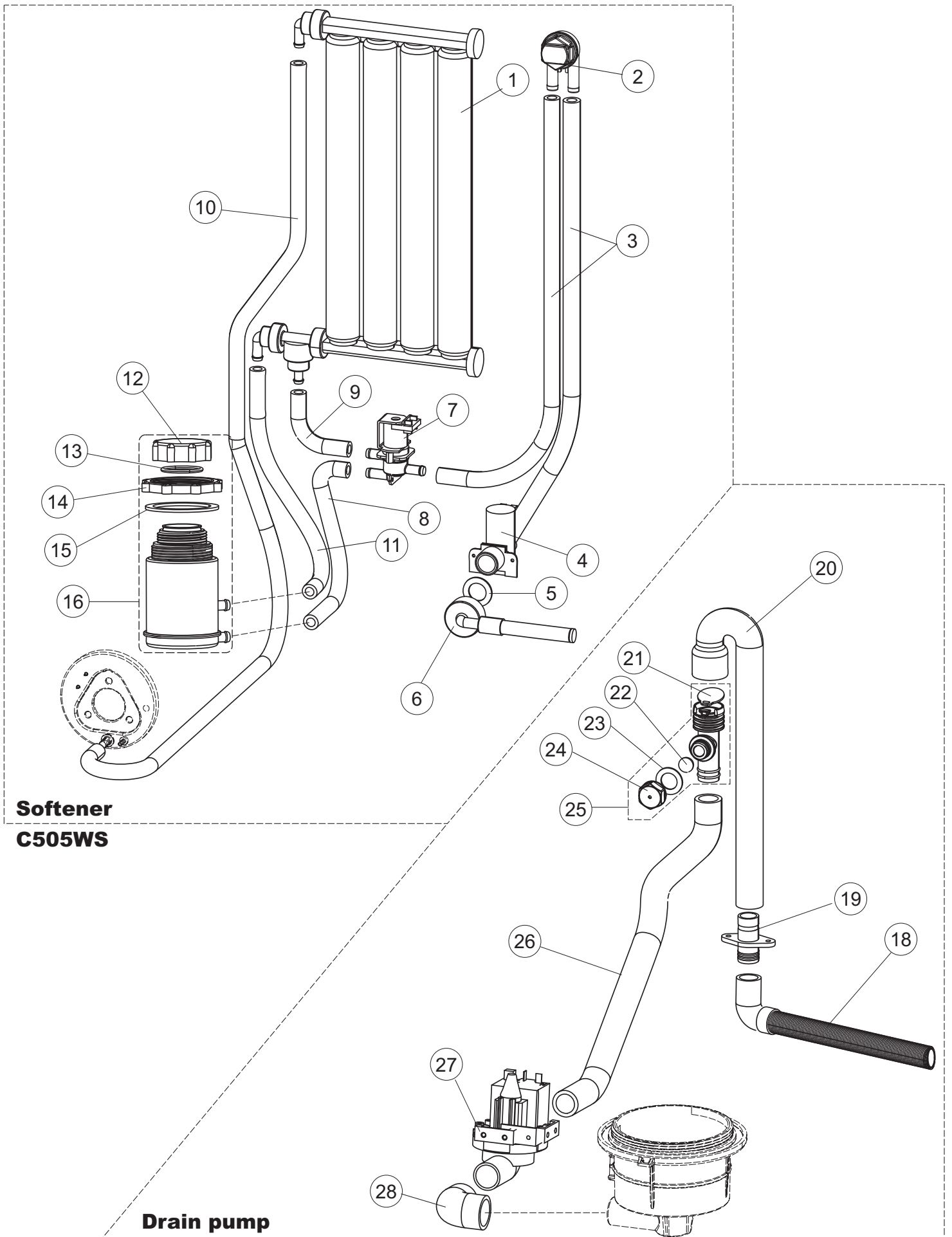
Page	Ref	Part Code	Description
1	1	MH104563	TOP PANEL
1	2	MH104513	REAR PANEL
1	3	MH104514	BRACKET – TOP PANEL
1	4	MH100467	GASKET for DOOR
1	5	MH100463	DOOR CATCH – INNER
1	6	MH100472	STOP for DOOR GUIDE
1	7	MH100471	STAY GUIDE for DOOR
1	8	MH104564	DOOR
1	9	MH101429	LOCKING PIN
1	10	MH100469	HINGE for DOOR
1	11	MH100468	HINGE PIN
1	12	MH100470	DOOR STAY
1	13	MH104516	BRACKET
1	14	MH104517	FRONT PANEL – LOWER
1	15	MH104518	MACHINE BASE PANEL
1	16	MH104519	BOTTOM CHASSIS
1	17	MH100459	MACHINE FOOT
1	18	MH100461	PLUG for WASH TANK
1	19	MH100347	CABLE GLAND
1	20	MH100457	CABLE GROMMET



Page	Ref	Part Code	Description
2	1	MH100352	PRESSURE SWITCH 35/17
2	2	MH104537	PRESSURE SWITCH 90/60 (optional – drain pump)
2	3	MH100475	Y' CONNECTOR for PRESSURE SWITCH
2	4	MH104386	TUBE 4x6mm PVC (10Mtr pack)
2	5	MH104263	TERMINAL BLOCK 6 POLE
2	7	MH100481	CABLE STOP – BLACK
2	8	MH104431	ELEMENT 2.1Kw c/w GASKET – WASH TANK
2	9	MH100370	GASKET L=46mm W=22mm – WASH TANK
2	10	MH100368	SAFETY THERMOSTAT 95deg C – WASH TANK
2	11	MH103821	CONTACT THERMOSTAT 90deg C
2	12	MH100599	GASKET for RINSE ELEMENT
2	13	MH100598	ELEMENT 6.5Kw 240V – BOILER
2	14	MH103639	ELEMENT COVER
2	15	MH103726	PROBE HOLDER – THERMOSTAT
2	16	MH100679	FIXING PLATE – PROBE
2	17	MH103715	TEMPERATURE PROBE – WASH / RINSE CYCLE
2	18	MH104286	DOOR SWITCH
2	19	MH104524	PLASTIC PROTECTION FOR ELECTRICS
2	20	MH104325	BOTTLE WEIGHT & FILTER
2	21	MH104265	TUBE 4x6mm – CLEAR (per Mtr.)
2	22	MH103789	INTERNAL DETERGENT SQUEEZE TUBE (MICRODOS)
2	22	MH100362	INTERNAL DETERGENT SQUEEZE TUBE (SEKO)
2	23	MH104387	DETERGENT PUMP (MICRODOS)
2	23	MH100361	DETERGENT PUMP (SEKO)
2	24	MH104266	DETERGENT ELBOW – METAL M12
2	25	MH104538	AIR BOX ASSEMBLY
2	26	MH100374	O-RING for AIR BOX CONNECTION
2	27	MH100375	O-RING
2	28	MH100376	ELBOW CONNECTON – AIR BOX
2	30	MH104565	FASCIA C501
2	31	MH103900	RIBBON CABLE
2	32	MH104545	DISPLAY PCB
2	33	MH101355	NUT M3 - WHITE PLASTIC
2	34	MH101059	PCB LOCATION PACER
2	35	MH104552	MAIN PCB BOARD
2	36	MH103967	HOLDER for FUSE
2	37	MH103968	FIXING PLATE
2	38	MH100580	FUSE 4A
2	39	MH103908	CONTACTOR 230V 50-90Hz
2	40	MH100363	TUBING BOTTLE SUPPORT
2	41	MH104512	AUXILIARY PCB BOARD
2	42	MH104566	FASCIA C505WS



Page	Ref	Part Code	Description
3	1	MH104521	RINSE DISTRIBUTION HOSE
3	2	MH104488	AIR BOX
3	3	MH100553	TUBE SOLENOID to BREAKTANK
3	4	MH100379	WASHER S641 EXPO
3	5	MH100380	SOLENOID VALVE – SINGLE STRAIGHT 11.5mm
3	6	MH103911	BOILER – dia.145mm L=405mm
3	7	MH104522	WASH SUMP
3	8	MH103926	ASPIRATOR HOSE
3	9	MH103919	O-RING
3	10	MH103930	RUBBER INTAKE HOSE
3	11	MH103931	BOTTOM WASH / RINSE SUPPORT COLUMN
3	12	MH103942	GASKET – WASH / RINSE SUPPORT COLUMN
3	13	MH103941	RING NUT - WASH / RINSE SUPPORT COLUMN
3	14	MH103915	ASPIRATION FILTER COMPLETE
3	15	MH104029	O-RING – DRAIN PLUG
3	16	MH103914	DRAIN PLUG
3	17	MH104523	UPPER WASH MANIFOLD - COMPLETE
3	20	MH104547	PERISTALTIC RINSE AID PUMP (NOT TIMED)
3	21	MH103835	INTERNAL RINSE AID SQUEEZE TUBE 6x10mm
3	22	MH104388	TUBE 5x11mm for PRESSURE SWITCH (per Mtr)
3	23	MH103969	TUBE 4X6mm PVC (1Mtr pack)
3	24	MH103645	BOTTLE WEIGHT & FILTER
3	25	MH103927	DRAIN HOSE
3	26	MH101390	INLET TUBE
3	27	MH100444	GASKET for TOP WASH FEED
3	28	MH104525	TOP WASH BOSS
3	29	MH104440	GASKET
3	30	MH103997	TUBE 6x9mm PVC CLEAR (per Mtr)
3	31	MH103918	RING NUT BODY – INLET & DRAIN
3	34	MH100363	TUBING BOTTLE SUPPORT

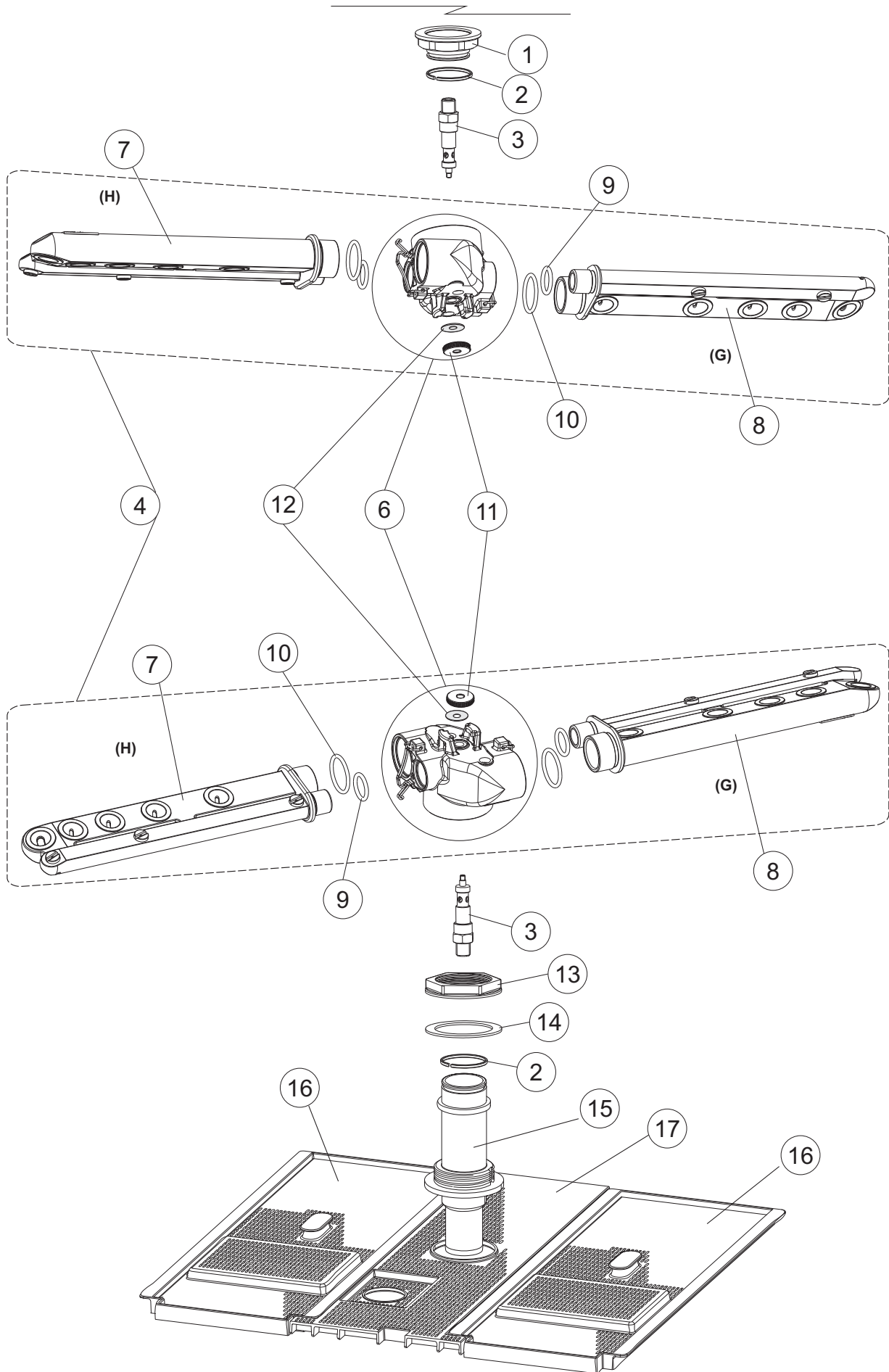




Page	Ref	Part Code	Description
			<b>WATER SOFTENER</b>
4	1	MH104567	WATER SOFTENER
4	2	MH104488	AIR BOX
4	3	MH100553	TUBE SOLENOID to BREAK TANK
4	4	MH100596	INLET SOLENOID VALE (inlet ¾" outlet 11.5mm)
4	5	MH100379	WASHER S641 EXPO
4	6	MH103733	INLET TUBE ¾"
4	7	MH103824	SOLENOID VALVE 3 WAY
4	8	MH104568	TUBE – SOLENOID to SALT TANK
4	9	MH104569	TUBE – SOLENOID to SOFTENER
4	10	MH104570	TUBE – SOFTENER to BOILER
4	11	MH104571	TUBE – SALT TANK to SOFTENER
4	12	MH103447	PLUG for SALT CONTAINER
4	13	MH101943	O-RING
4	14	MH103448	LOCK NUT for SALT CONTAINER
4	15	MH101849	GASKET for SALT CONTAINER
4	16	MH103450	SALT CONTAINER D= 85x100mm

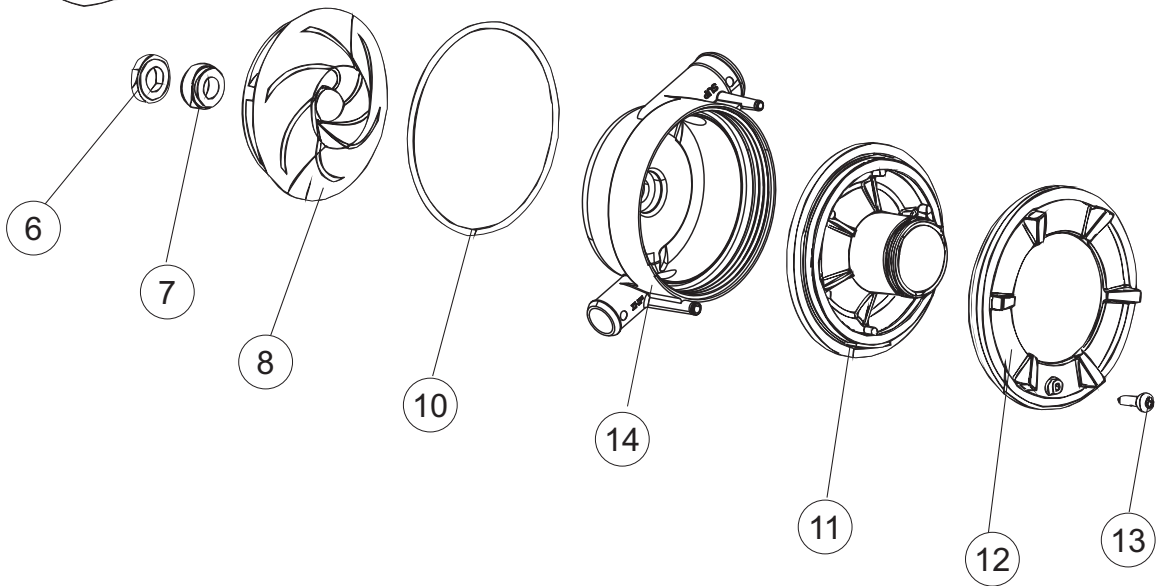
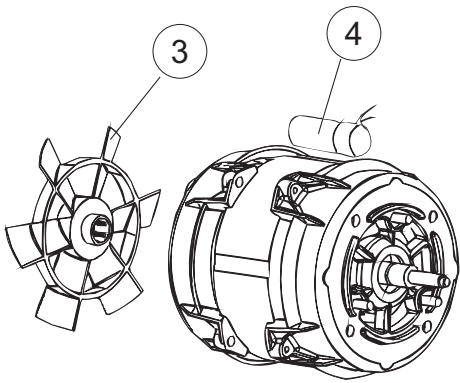
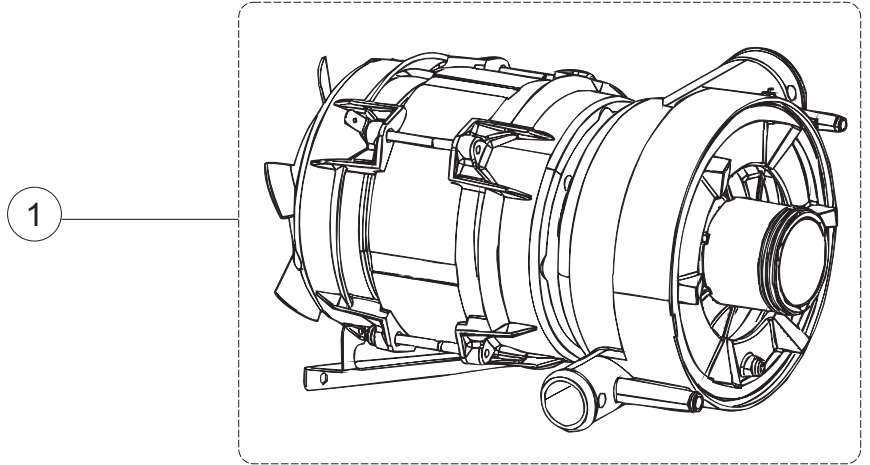
			<b>DRAIN PUMP</b>
4	18	MH100355	DRAIN HOS L=2450mm D=22mm
4	19	MH100511	CONNECTOR for DRAIN PUMP HOSE
4	20	MH104526	DRAIN HOSE –BREATHER to FITTING
4	21	MH103934	MEMBRANE
4	22	MH103932	VALVE SPHERE
4	23	MH103933	GASKET – RUBBER
4	24	MH104478	CAP for ANTI SYPHON VALVE
4	25	MH104472	ANTI SYPHON VALVE
4	26	MH104527	DRAIN HOSE – BREATHER to PUMP
4	27	MH104531	DRAIN PUMP 50Hz
4	28	MH104528	DRAIN HOSE – PUMP to SUMP

# 5



Page	Ref	Part Code	Description
5	1	MH104442	RING NUT – WASH / RINSE SUPPORT COLUMN
5	2	MH100087	O-RING
5	3	MH104503	SPINDLE for WASH ARM
5	4	MH100066	WASH / RINSE ARM ASSEMBLY
5	6	MH100530	CENTRE BOSS – WASH / RINSE ARM
5	7	MH100071	WASH / RINSE ARM 5+3 JETS
5	8	MH100072	WASH / RINSE ARM 5+2 JETS
5	9	MH100050	O-RING – RINSE ARM
5	10	MH100046	O-RING 24x2.5mm
5	11	MH100048	THUMB NUT
5	12	MH103441	GASKET
5	13	MH103941	RING NUT – WASH / RINSE SUPPORT COLUMN
5	14	MH103942	GASKET - WASH / RINSE SUPPORT COLUMN
5	15	MH103931	BOTTOM WASH / RINSE SUPPORT COLUMN
5	16	MH104572	SCRAP TRAY FILTER (LEFT & RIGHT)
5	17	MH104573	SCRAP TRAY FILTER (CENTRE)

# 6



<b>Page</b>	<b>Ref</b>	<b>Part Code</b>	<b>Description</b>
6	1	MH104536	WASH PUMP
6	3	MH103959	COOLING FAN
6	4	MH102172	CAPACITOR 10Mf
6	6	MH103960	LOCK for SHAFT SEAL
6	7	MH103961	ROTATING SHAFT SEAL
6	8	MH103962	IMPELLER
6	10	MH103963	SEAL for WASH PUMP HOUSING
6	11	MH103964	FRONT PLATE – WASH PUMP
6	12	MH103965	LOCKING RING – FRONT PLATE
6	13	MH103966	SCREW
6	14	MH104483	FRONT COVER – IMPELLER HOUSING