



C451

PARTS BOOK

From S/N: 2749241

18-01-2013

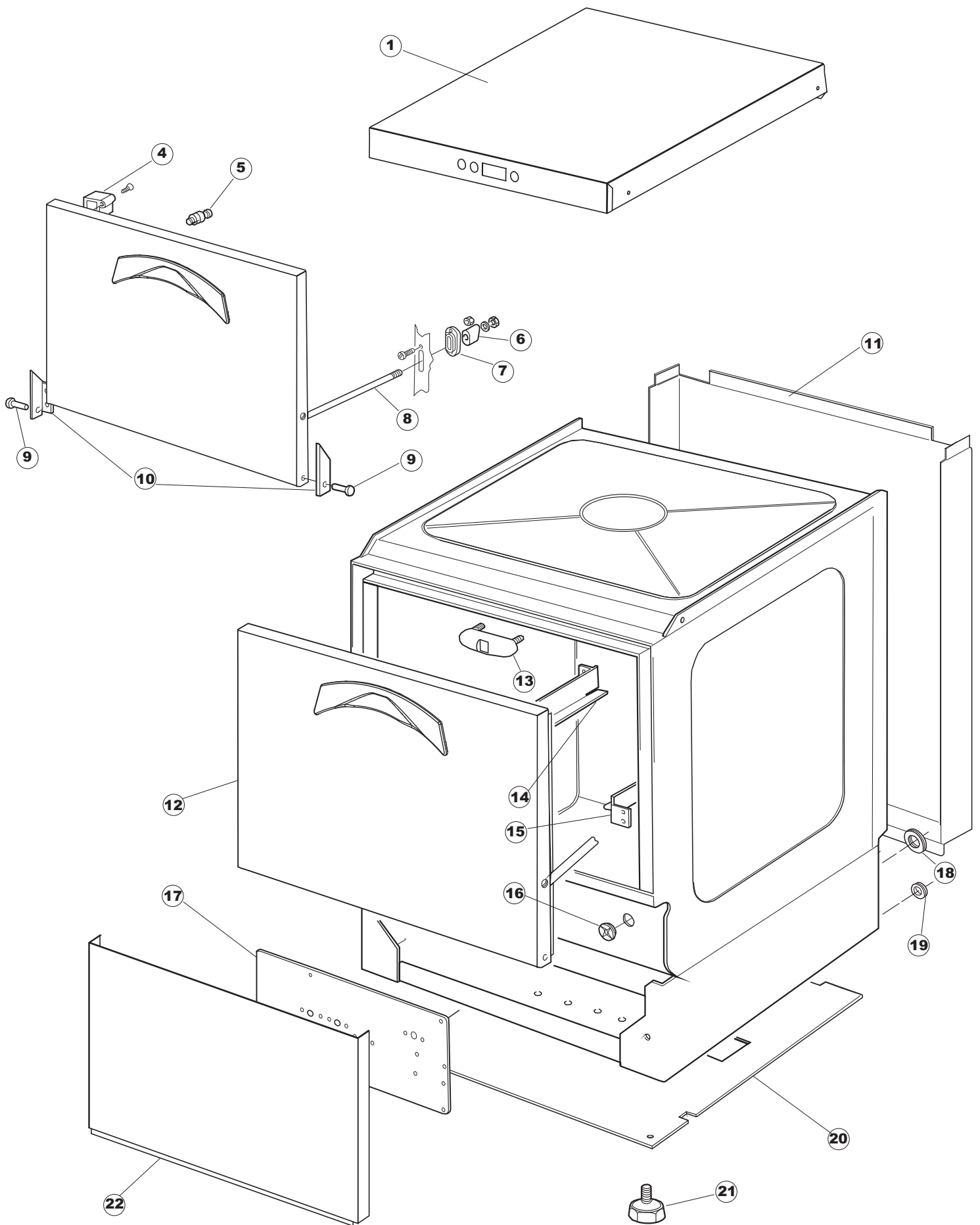
All spares available from



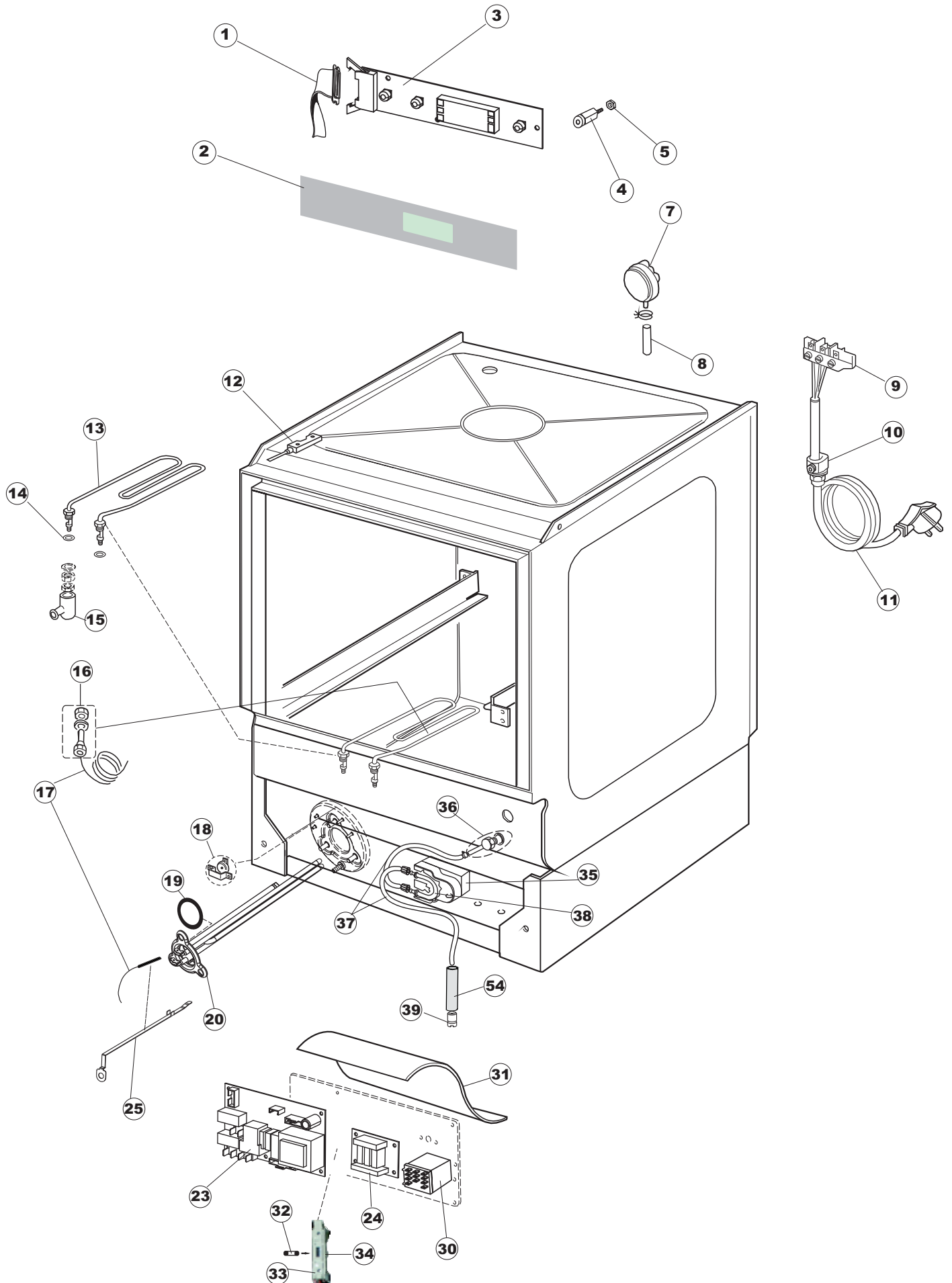
The Engine Shed
Top Station Road
Brackley
NN13 7UG
Tel: 0845 1308060
Fax: 01280 845345
Web: www.caterparts.com

Copyright Notice: All rights reserved. No parts of this manual may be reproduced in any form without express written permission of Maidaid-Halcyon (A trading name of Buttress Group Ltd)

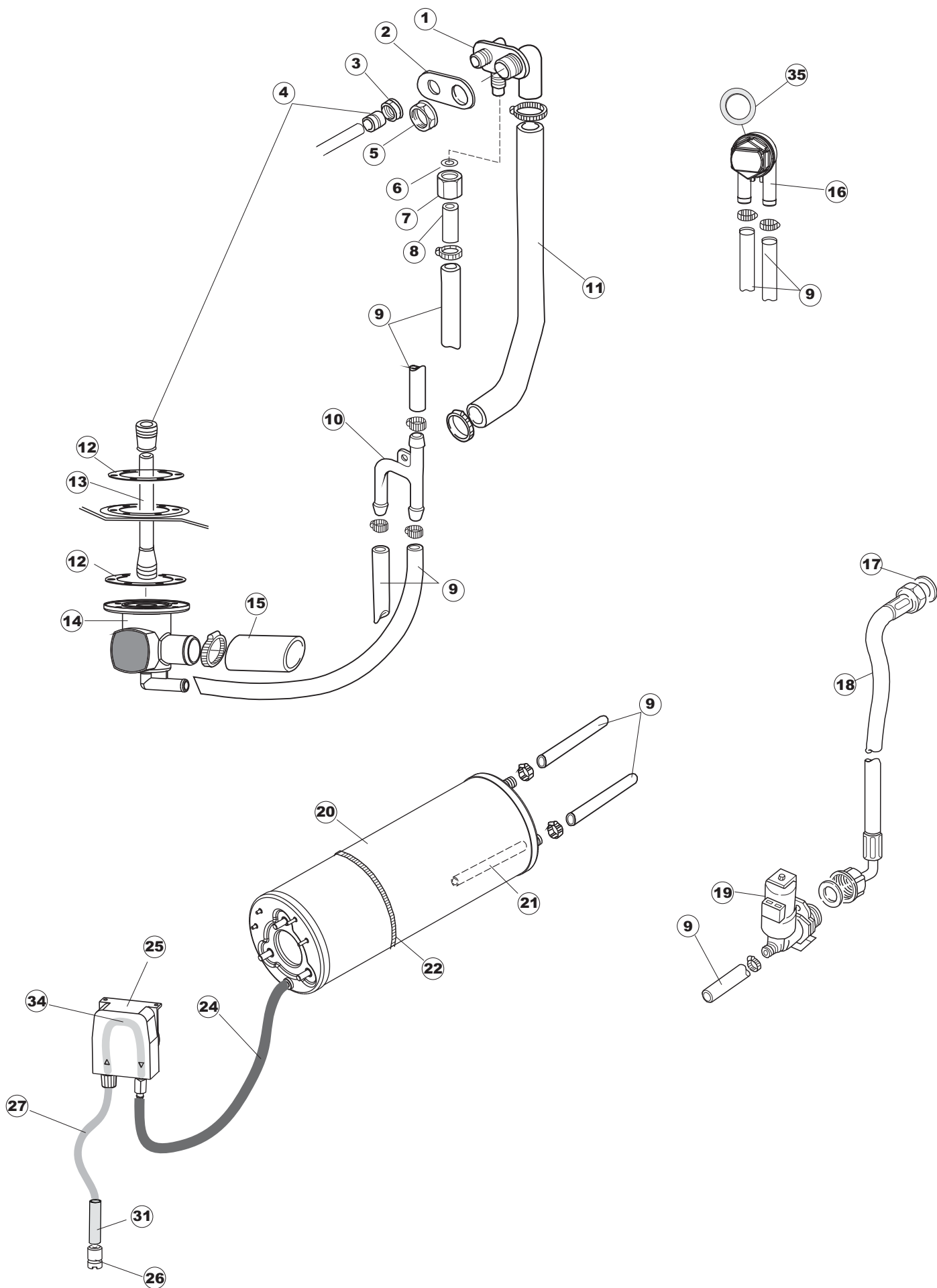
1



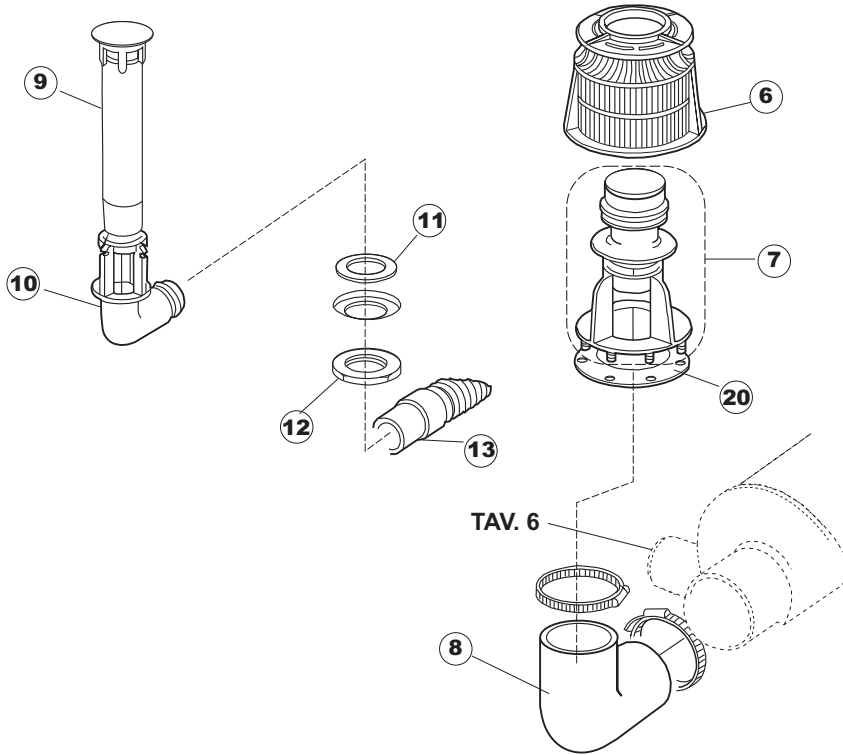
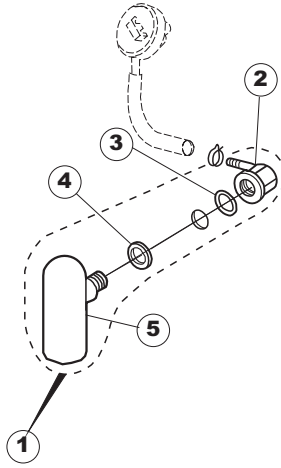
Page	Ref	Part Code	Description
1	1	MH104559	TOP PANEL
1	4	MH100449	MAGNET for DOOR
1	5	MH101429	LOCKING PIN
1	6	MH100472	STOP for DOOR GUIDE
1	7	MH100471	STAY GUIDE for DOOR
1	8	MH100470	DOOR STAY
1	9	MH100468	HINGE PIN
1	10	MH100469	HINGE for DOOR
1	11	MH100965	BACK PANEL
1	12	MH104560	DOOR
1	13	MH100463	DOOR CATCH INNER
1	14	MH100973	BASKET GUIDE L/H
1	15	MH100972	BASKET GUIDE R/H
1	16	MH100461	PLUG for WASH TANK
1	17	MH100970	GUARD
1	18	MH100457	CABLE GROMMET
1	19	MH100347	CABLE GLAND
1	20	MH100968	BOTTOM PANEL COVER
1	21	MH100459	MACHINE FOOT
1	22	MH101443	FRONT PANEL - LOWER



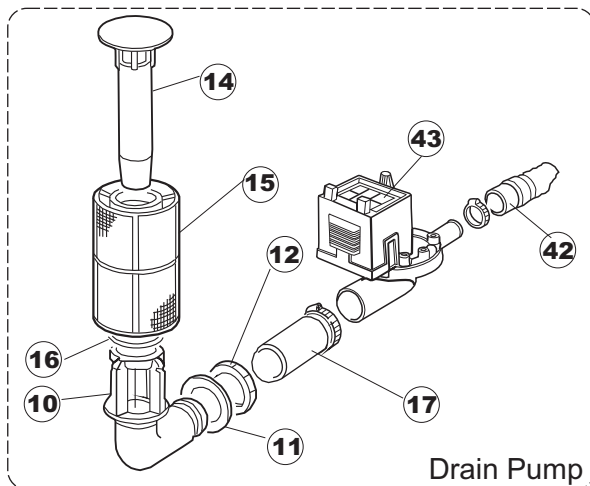
Page	Ref	Part Code	Description
2	1	MH103900	RIBBON CABLE
2	2	MH104561	FASCIA
2	3	MH104545	DISPLAY PCB
2	4	MH101059	PCB LOCATION SPACER
2	5	MH101355	NUT M3 – WHITE PLASTIC
2	7	MH100473	PRESSURE SWITCH 55/35
2	8	MH104386	TUBE 4x6mm PVC (10 Mtr. pack)
2	9	MH100975	CONNECTOR BLOCK 3 POLE
2	10	MH100481	CABLE STOP BLACK
2	11	MH102221	MAIN POWER CABLE WITH PLUG
2	12	MH103644	DOOR SWITCH
2	13	MH100629	ELEMENT 2.45Kw 240V c/w GASKET
2	14	MH100488	O-RING
2	15	MH100366	COVER FOR ELEMENT CONNECTIONS
2	16	MH102214	PROBE HOUSING
2	17	MH103715	TEMPERATURE PROBE – WASH or RINSE CYCLE
2	18	MH100367	SAFETY THERMOSTAT 110deg C – BOILER
2	19	MH101357	O-RING – BOILER ELEMENT
2	20	MH101358	ELEMENT 2.6Kw – TRIANGULAR FLANGE c/w GASKET
2	23	MH104552	MAIN PCB BOARD
2	24	MH104512	AUXILIARY PCB BOARD
2	25	MH103726	PROBE HOLDER for THERMOSTAT
2	30	MH101432	RELAY 230V 16A 6 PIN 2 POLE (FINDER)
2	31	MH100976	PLASTIC PROTECTION for ELECTRICS 218x290mm
2	32	MH100580	FUSE 4A
2	33	MH103967	FUSE HOLDER
2	34	MH103968	FIXING PLATE
2	35	MH104543	PERISTALTIC DETERGENT PUMP (NOT TIMED)
2	36	MH104266	DETERGENT ELBOW METAL M12
2	37	MH104265	TUBE 4x6mm CLEAR (PER Mtr)
2	38	MH103789	INTERNAL DET. SQUEEZE TUBE 6x10mm (MICRODOS)
2	39	MH104325	BOTTLE WEIGHT & FILTER
2	54	MH100363	TUBING BOTTLE SUPPORT



Page	Ref	Part Code	Description
3	1	MH100979	WASH / RINSE FEED ELBOW
3	2	MH100980	GASKET for FEED ELBOW
3	3	MH100981	NUT for RINSE FEED
3	4	MH100490	INSERT SEAL dia. 10mm
3	5	MH100440	CONNECTOR for WASH TUBE
3	6	MH100982	WASHER for LOWER BOSS RINSE TUBE
3	7	MH100983	NUT
3	8	MH100984	INSERT TUBE – RINSE FEED
3	9	MH100553	TUBE (PER Mtr) – SOLENOID to BREAK TANK
3	10	MH100584	CONNECTOR 3 WAY – RINSE
3	11	MH100985	RUBBER HOSE – WASH FEED
3	12	MH100491	GASKET for BOTTOM BOSS
3	13	MH101161	RINSE TUBE for LOWER BOSS
3	14	MH101901	MANIFOLD
3	15	MH100986	LOWER WASH FEED TUBE AIR BOX
3	16	MH104488	AIR BOX
3	17	MH100379	WASHER S641 EXPO
3	18	MH103733	INLET TUBE ¾”
3	19	MH100380	SOLENOID VALVE SINGLE STRAIGHT 11.5mm
3	20	MH100674	BOILER for TRIANGULAR ELEMENT
3	21	MH100042	TUBE
3	22	MH100990	STRAP
3	24	MH104388	FEED TUBE 5x11mm per Mtr – RINSE AID BOILER
3	25	MH104547	PERISTALTIC RINSE AID PUMP (NOT TIMED)
3	26	MH104325	BOTTLE WEIGHT & FILTER
3	27	MH103969	TUBE 4x6mm PVC (1 Mtr)
3	31	MH100363	TUBING BOTTLE SUPPORT
3	34	MH103835	INTERNAL RINSE AID SQUEEZE TUBE 6x10mm
3	35	MH100444	GASKET for TOP WASH FEED



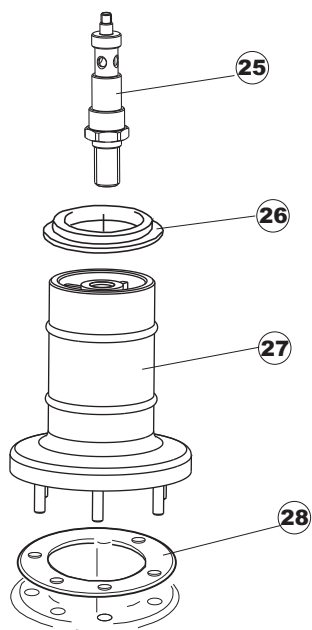
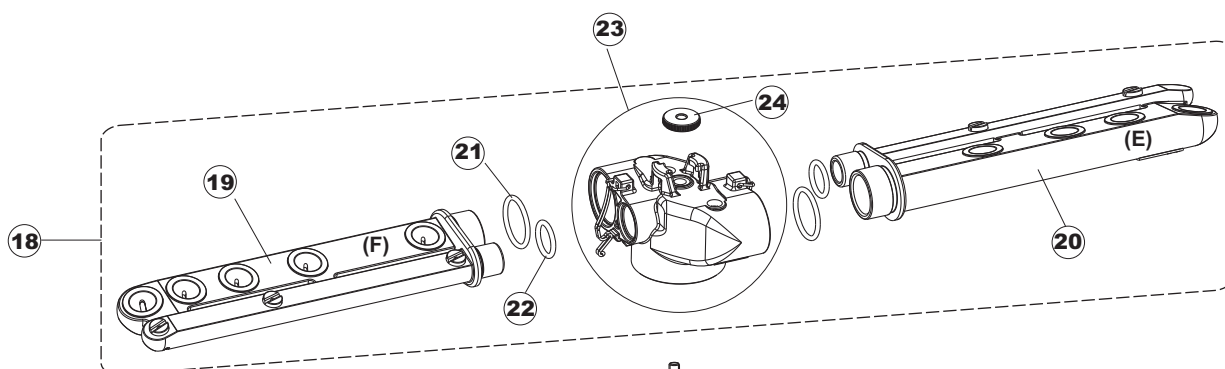
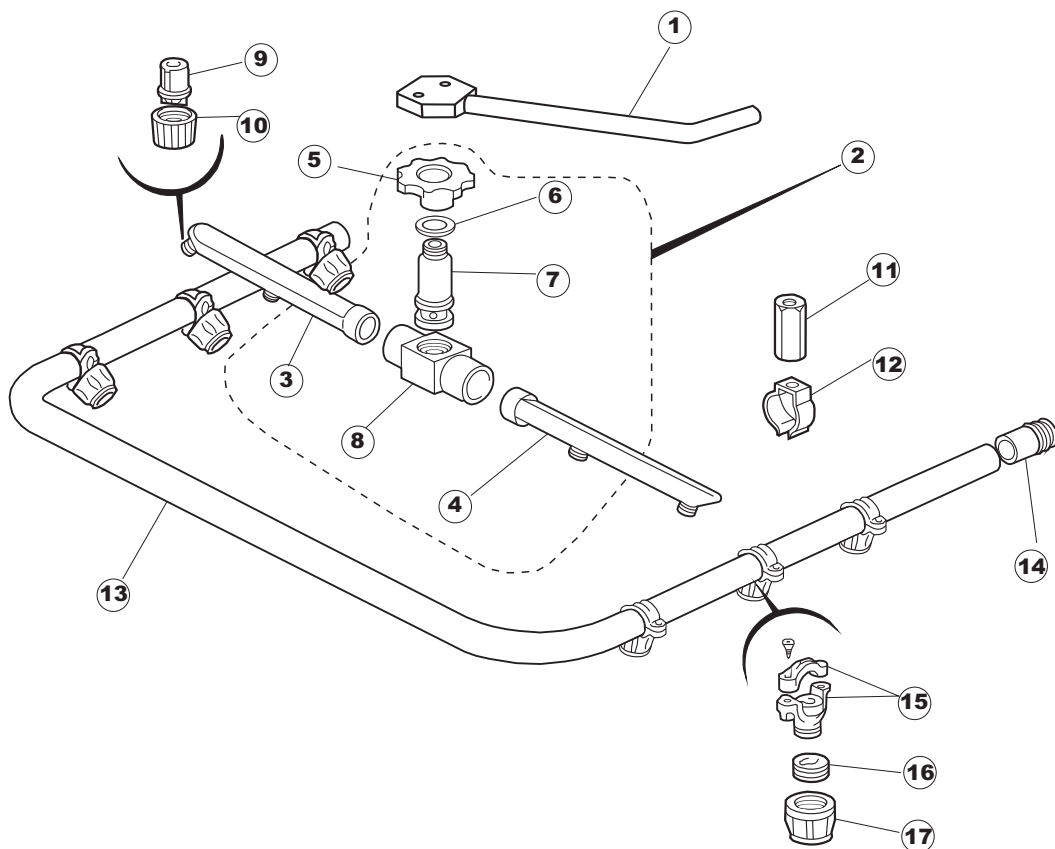
TAV. 6



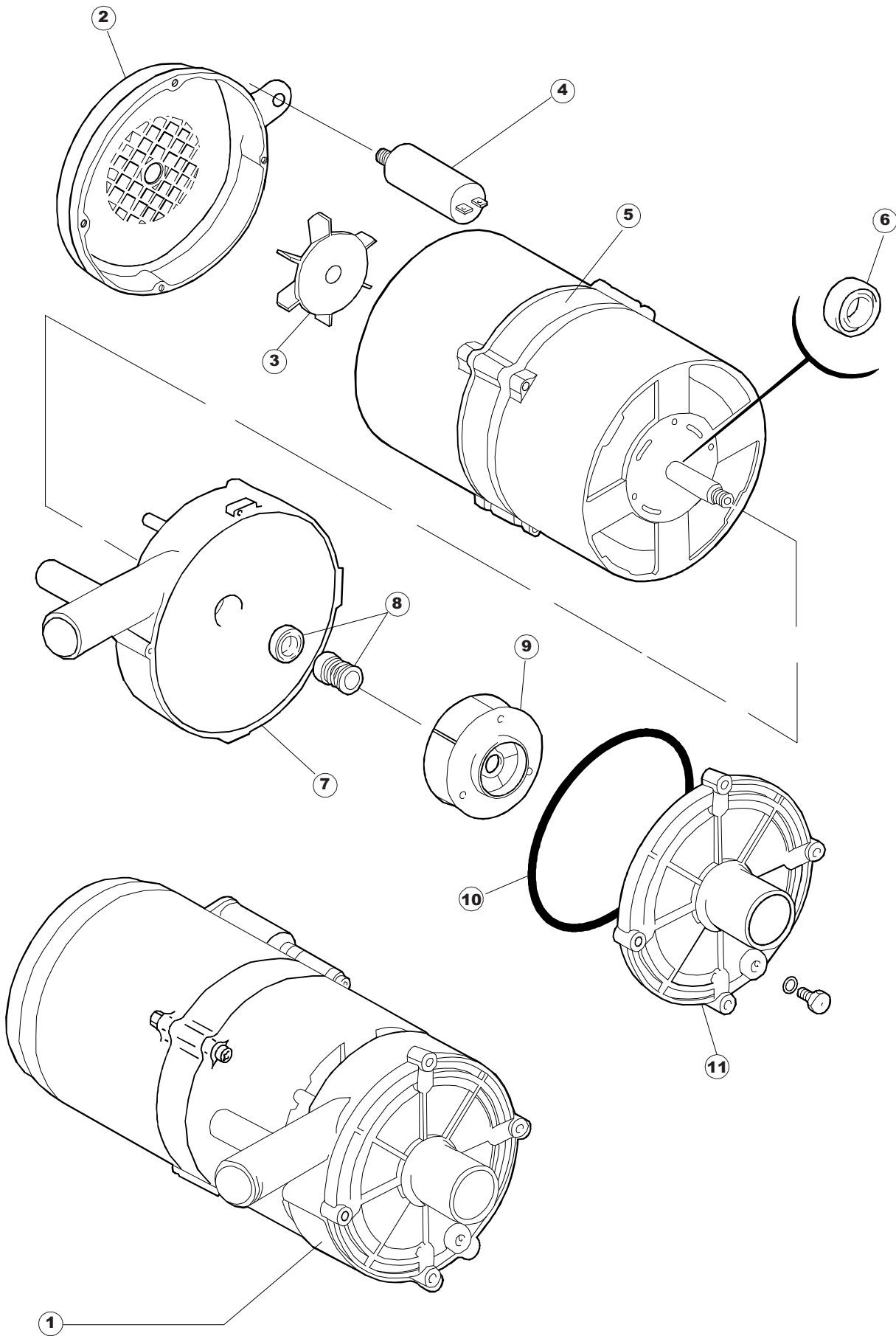
Drain Pump

Page	Ref	Part Code	Description
4	1	MH100372	AIR BOX ASSEMBLY
4	2	MH100376	ELBOW CONNECXTION for AIR BOX
4	3	MH100375	O-RING
4	4	MH100374	O-RING for AIR BOX CONNECTION
4	5	MH100373	AIR BOX
4	6	MH100128	FILTER dia 155x120mm – WASH PUMP
4	7	MH100519	FILTER STAND
4	8	MH100991	HOSE ELBOW
4	9	MH100524	DRAIN PLUG dia 36x155mm – PLASTIC
4	10	MH100513	DRAIN ELBOW – PLASTIC
4	11	MH100505	WASHER
4	12	MH100503	NUT 1' – ¼ - PLASTIC
4	13	MH100509	DRAIN HOSE D=34mm L=1500mm
4	14	MH100501	DRAIN PLUG D=35mm L=147mm
4	15	MH100502	FILTER dia 62x117mm for DRAIN PUMP
4	16	MH100514	FILTER RING
4	17	MH100966	OUTLET HOSE – DRAIN
4	20	MH100520	GASKET – PUMP FILTER
4	42	MH100355	DRAIN HOSE L=2450mm D=22mm
4	43	MH104533	DRAIN PUMP 50Hz

5



Page	Ref	Part Code	Description
5	1	MH100994	TOP RINSE FEED
5	2	MH100404	RINSE ARM COMPLETE 4 JETS
5	3	MH100407	RINSE ARM L-110mm 2 JETS (STRAIGHT END JET)
5	4	MH100405	RINSE ARM 2 JETS (ANGLED END JET)
5	5	MH100401	LOCK NUT for UPPER RINSE ARM
5	6	MH100402	WASHER for TOP RINSE ARM
5	7	MH100403	SPINDLE for TOP RINSE BOSS
5	8	MH100406	ROTATING TOP RINSE BOSS
5	9	MH100409	RINSE JET CENTRE
5	10	MH100408	RETAINER for RINSE JET
5	11	MH100993	CLIP SPACER
5	12	MH100435	SPRING CLIP
5	13	MH101444	WASH ARM 6 JETS – UPPER ASSEMBLY
5	14	MH100439	COLLAR
5	15	MH101445	COLLAR FOR JET MOUNTING – GREY
5	16	MH100438	WASH JET CENTRE
5	17	MH100437	RETAINER for WASH JET
5	18	MH103791	NUT for WASH / RINSE ARM
5	19	MH103792	WASH / RINSE ARM L=210mm 8 JETS
5	20	MH103793	WASH / RINSE ARM L=210mm 6 JETS
5	21	MH100046	O-RING 24x2.5mm
5	22	MH100050	O-RING – RINSE ARM
5	23	MH100530	CENTRE BOSS – WASH / RINSE ARM
5	24	MH100048	THUMB NUT
5	25	MH104562	RINSE SPINDLE - LOWER
5	26	MH100068	DISC – WATER FLOW REDUCER
5	27	MH103794	WASH BOSS
5	28	MH100491	GASKET for BOTTOM BOSS



T90

Page	Ref	Part Code	Description
6	1	MH101018	WASH PUMP 230V 330W 1 PHASE c/w CAPACITOR
6	2	MH101012	FAN PROTECTION T80 / 90
6	3	MH101014	FAN BLADE
6	4	Q910106	CAPACITOR 8Mf
6	5	MH101013	FLANGE SPACER T-90
6	6	MH100534	BEARING
6	7	MH101017	REAR COVER IMPELLER HOUSING
6	8	MH100539	MECHANICAL SEAL – WASH PUMP
6	9	MH101015	PUMP IMPELLER
6	10	MH100418	O-RING