



C351

PARTS BOOK

From S/N: 2751419

18-01-2013

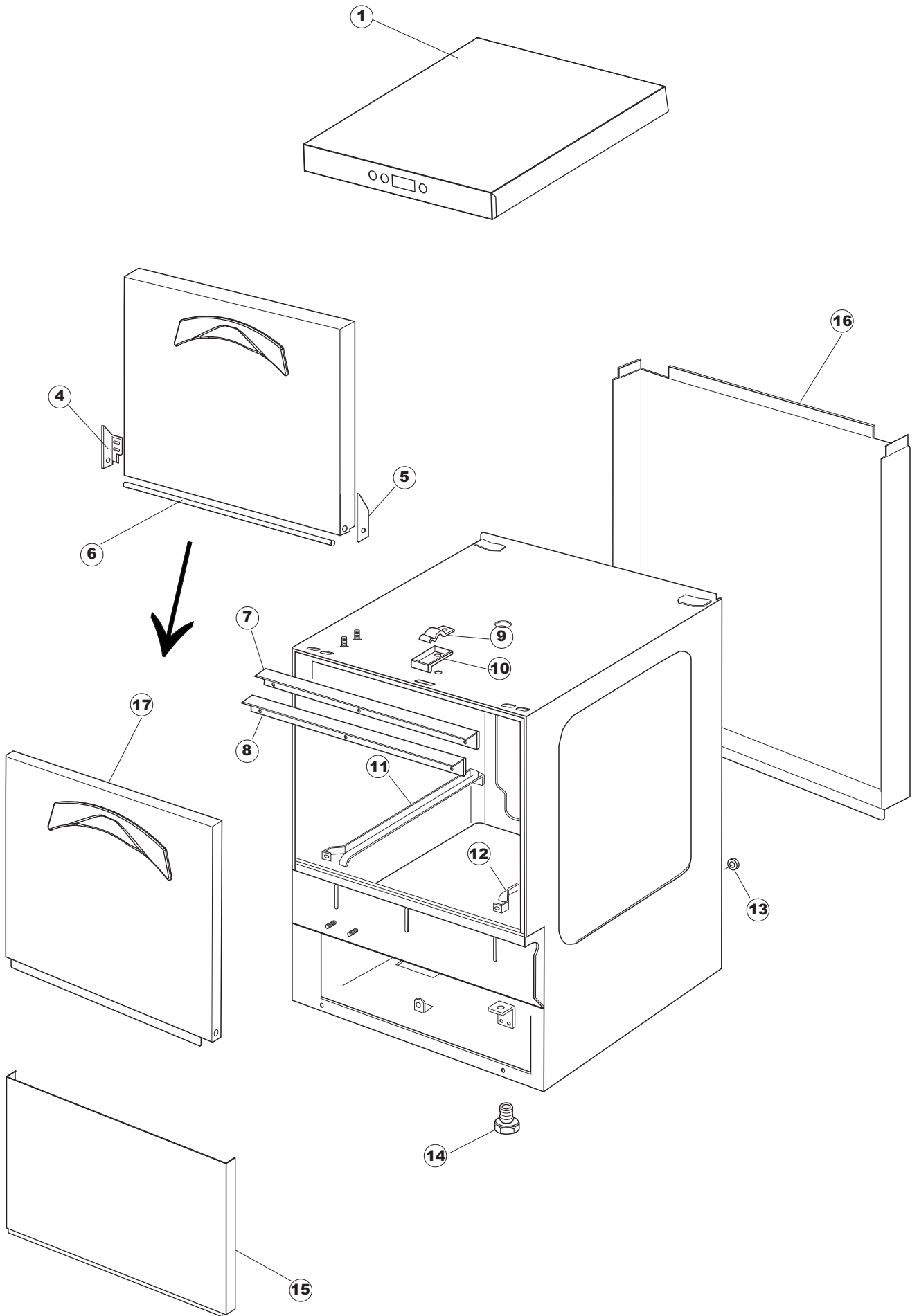
All spares available from



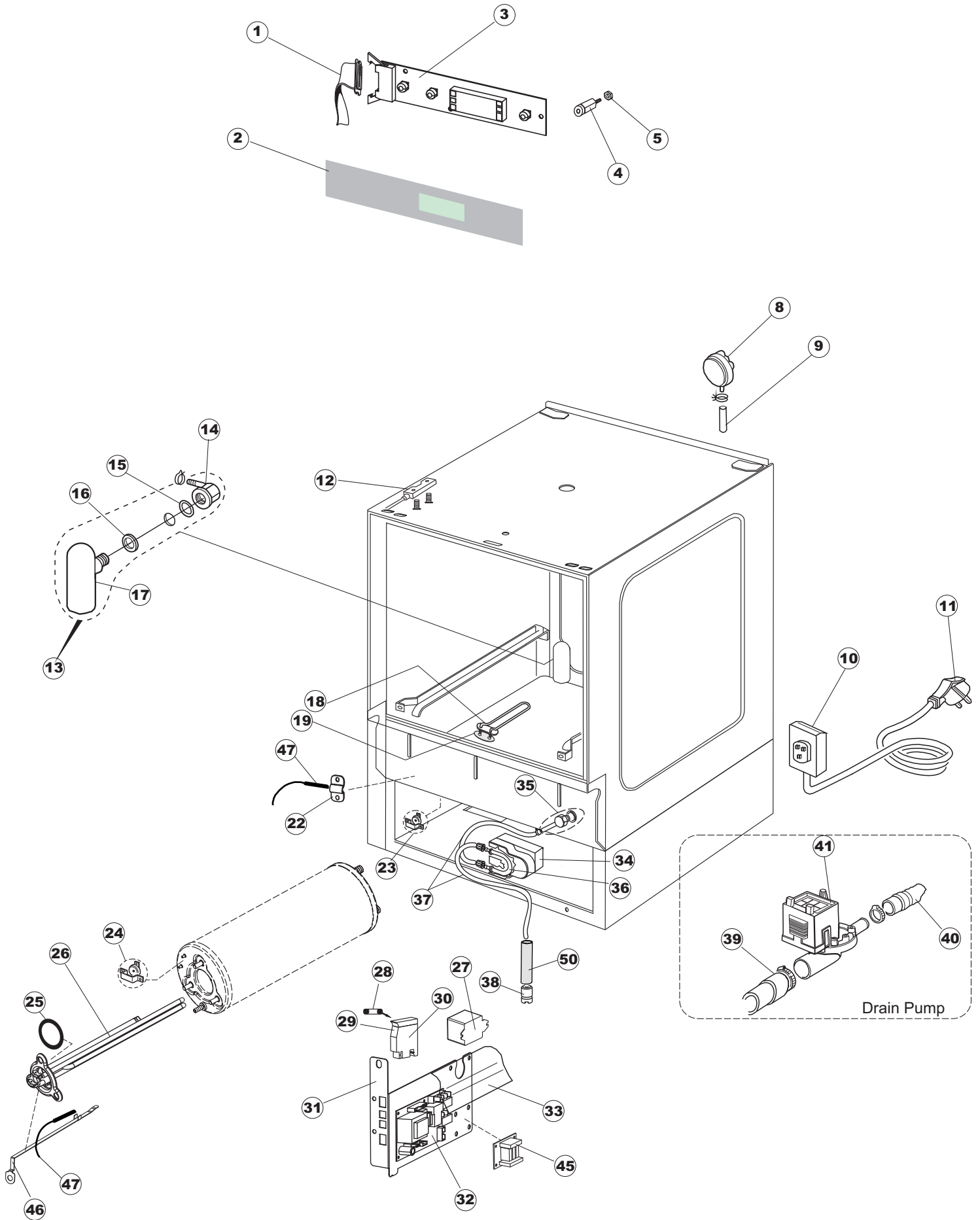
The Engine Shed
Top Station Road
Brackley
NN13 7UG
Tel: 0845 1308060
Fax: 01280 845345
Web: www.caterparts.com

Copyright Notice: All rights reserved. No parts of this manual may be reproduced in any form without express written permission of Maidaid-Halcyon (A trading name of Buttress Group Ltd)

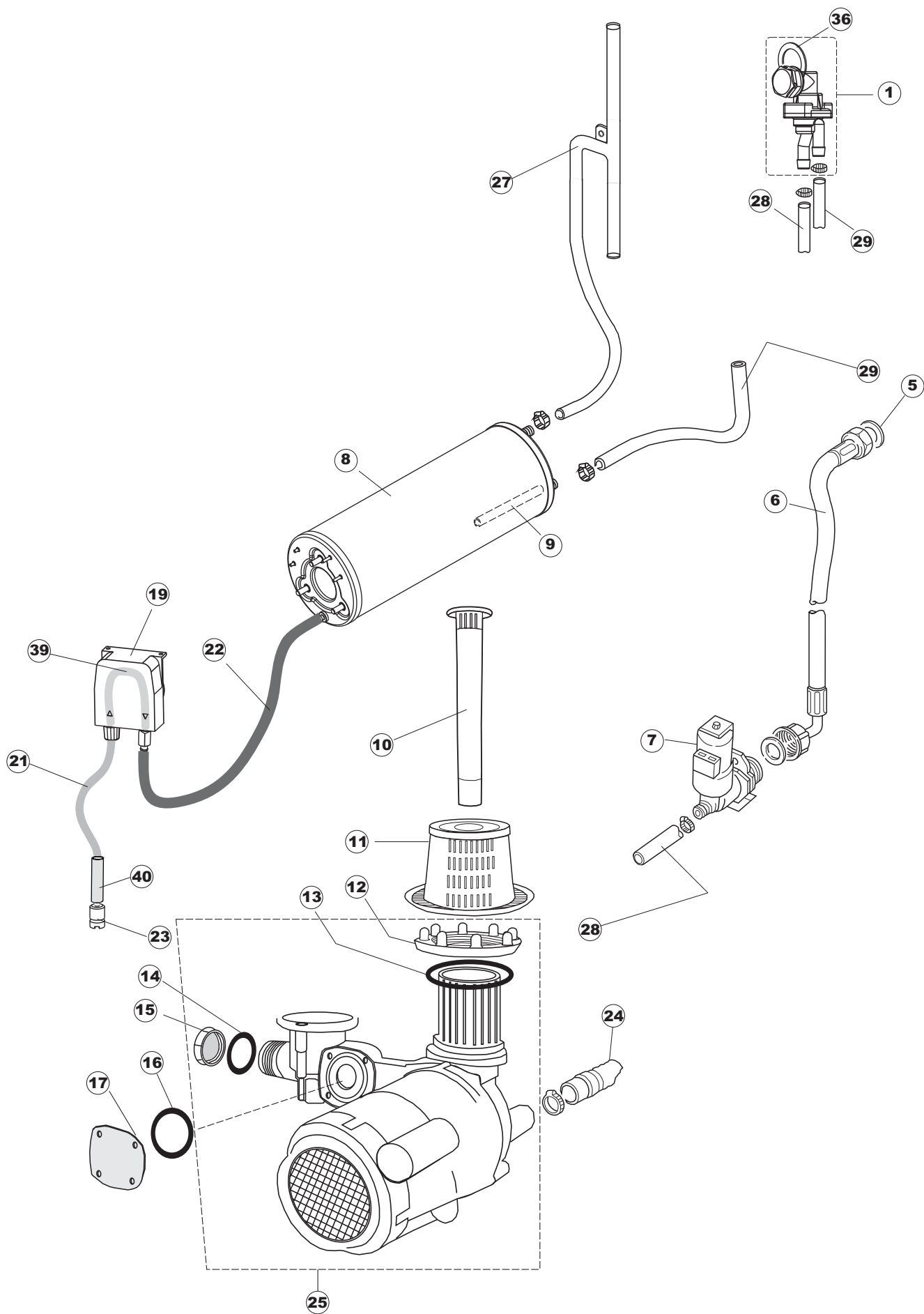
1



Page	Ref	Part Code	Description
1	1	MH104553	TOP PANEL
1	4	MH100341	DOOR HINGE L/H
1	5	MH100342	DOOR HINGE R/H
1	6	MH100004	ROD for DOOR HINGE
1	7	MH100343	DOOR SEAL
1	8	MH100344	DOOR STRIP
1	9	MH100345	DOOR CATCH – TOP SECTION
1	10	MH100346	DOOR CATCH – BOTTOM SECTION
1	11	MH100523	BASKET GUIDE L/H
1	12	MH100522	BASKET GUIDE R/H
1	13	MH100347	CABLE GLAND
1	14	MH100348	MACHINE FOOT
1	15	MH101439	FRONT PANEL
1	16	MH100485	REAR PANEL
1	17	MH104554	DOOR

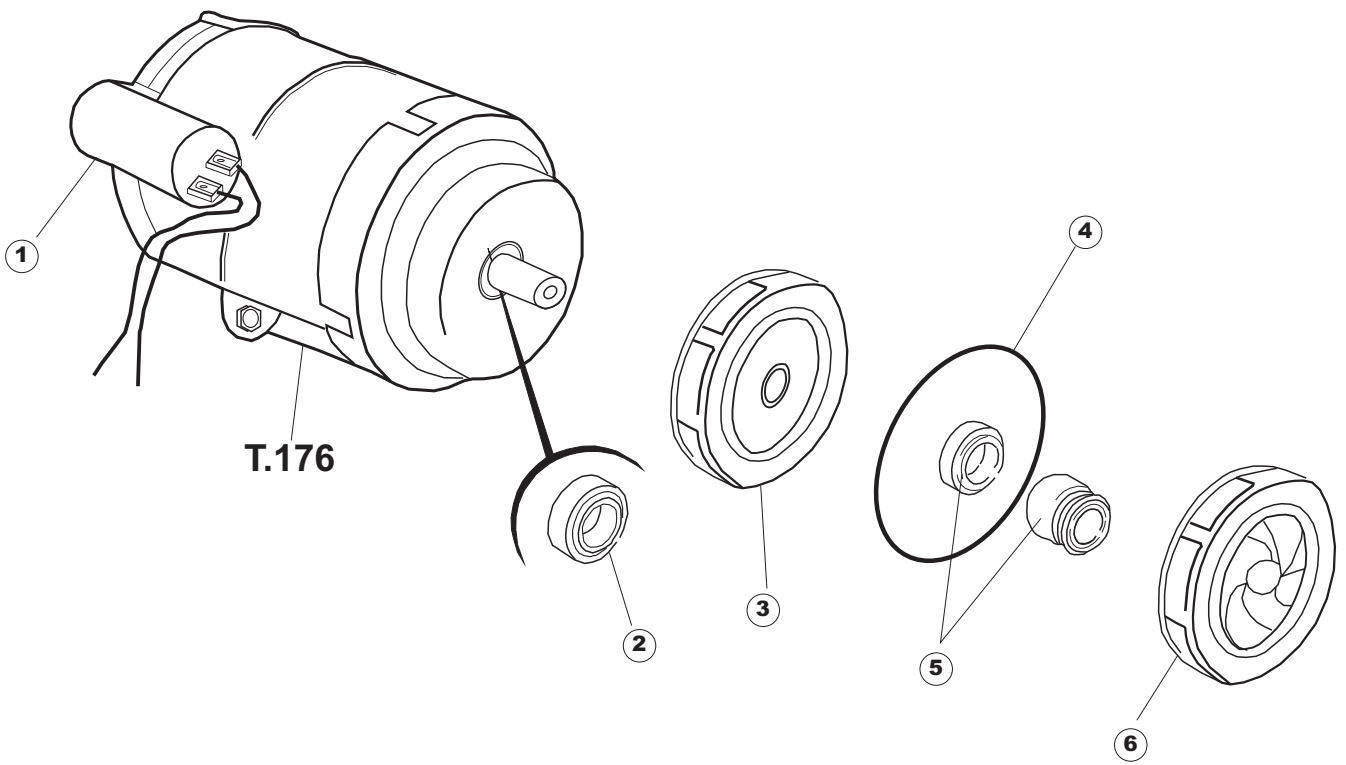


Page	Ref	Part Code	Description
2	1	MH103725	RIBBON CABLE
2	2	MH104555	FASCIA
2	3	MH104545	DISPLAY PCB
2	4	MH101059	PCB LOCATION SPACER
2	5	MH101355	NUT M3 WHITE PLASTIC
2	8	MH100352	PRESSURE SWITCH 35/17
2	9	MH104386	TUBE 4x6mm PVC (10Mtr. Pack)
2	10	MH102024	CABLE CONNECTION BLOCK
2	11	MH102221	MAINS POWER CABLE & PLUG
2	12	MH103644	DOOR SWITCH
2	13	MH100372	AIR BOX ASSEMBLY
2	14	MH100376	ELBOW CONNECTION for AIR BOX
2	15	MH100375	O-RING
2	16	MH100374	O-RING – AIR BOX CONNECTION
2	17	MH100373	AIR BOX
2	18	MH100371	ELEMENT 1.6Kw 230V c/w GASKET (WASH TANK)
2	19	MH100370	GASKET – WASH TANK ELEMENT
2	22	MH100679	FIXING PLATE for PROBE
2	23	MH100368	SAFETY THERMOSTAT 95deg. C (WASH TANK)
2	24	MH100367	SAFETY THERMOSTAT 110deg. C (BOILER)
2	25	MH101357	O-RING for BOILER ELEMENT
2	26	MH101358	ELEMENT 2.6Kw TRIANGULAR FLANGE c/w GASKET
2	27	MH101432	RELAY 6 PIN 16A 230V 2 POLE
2	28	MH100580	FUSE 4A 5x20
2	29	MH103967	FUSE HOLDER
2	30	MH103968	FIXING PLATE
2	31	MH104507	MOUNTING PLATE
2	32	MH104552	MAIN PCB BOARD
2	33	MH100357	COVER-PLASTIC 230x200mm (ELECTRICS)
2	34	MH104543	PERISTALTIC DETERGENT PUMP (not timed)
2	35	MH104266	DETERGENT ELBOW METAL M12
2	36	MH103789	INTERNAL DETERGENT SQUEEZE TUBE 6x10 (MICRODOS)
2	37	MH103192	TUBE 4x6mm (per Mtr.)
2	38	MH104325	BOTTLE WEIGHT & FILTER
2	39	MH100356	HOSE – DRAIN PUMP INLET
2	40	MH100355	DRAIN HOSE L=2450mm dia. 22mm
2	41	MH100354	DRAIN PUMP 50Hz c/w BRACKET
2	45	MH104512	AUXILIARY PCB BOARD
2	46	MH103726	PROBE HOLDER for THERMOSTAT
2	47	MH103715	TEMPERATURE PROBE – WASH / RINSE CYCLE
2	50	MH100363	TUBING BOTTLE SUPPORT



Page	Ref	Part Code	Description
3	1	MH100378	AIR BOX
3	5	MH100379	WASHER S641 EXPO
3	6	MH103733	INLET TUBE 3/4"
3	7	MH100380	SOLENOID VALVE SINGLE STRAIGHT 11.5mm
3	8	MH100633	BOILER
3	9	MH100042	TUBE
3	10	MH100397	DRAIN PLUG
3	11	MH100396	FILTER – PLASTIC dia.112mm (WASH PUMP)
3	12	MH100395	DRAIN CROWN
3	13	MH102518	GASKET
3	14	MH100393	WASHER – BLANK COVER
3	15	MH100392	BLANK COVER
3	16	MH100399	GASKET
3	17	MH102352	BLANKING PLATE
3	19	MH104547	PERISTALTIC RINSE AID PUMP (NOT TIMED)
3	21	MH103969	TUBE 4x6mm PVC (1Mtr.)
3	22	MH104388	FEED TUBE 5x11mm – RINSE AID BOILER
3	23	MH104325	BOTTLE WEIGHT & FILTER
3	24	MH100382	DRAIN HOSE L=1500mm
3	25	MH100383	WASH PUMP 190W 230V
3	27	MH100059	RINSE TUBE – REAR
3	28	MH100060	TUBE
3	29	MH100061	TUBE
3	36	MH103933	RUBBER GASKET
3	39	MH103835	INTERNAL RINSE AID SQUEEZE TUBE 6x10mm
3	40	MH100363	TUBING BOTTLE WEIGHT

Page	Ref	Part Code	Description
4	1	MH100398	RINSE ELBOW – TOP
4	3	MH100059	RINSE TUBE – REAR
4	4	MH100399	GASKET
4	5	MH100400	THREADED BUSH
4	6	MH100404	RINSE ARM COMPLETE – TOP ASSEMBLY
4	7	MH100407	RINSE ARM – TOP (STRAIGHT END JET)
4	8	MH100405	RINSE ARM – TOP (ANGLED END JET)
4	9	MH100401	LOCK NUT – UPPER RINSE ARM
4	10	MH100402	UPPER RINSE ARM
4	11	MH100403	SPINDLE - TOP RINSE BOSS
4	12	MH100406	ROTATING TOP RINSE BOSS
4	13	MH100409	RINSE JET CENTRE
4	14	MH100408	RETAINER for RINSE JET
4	15	MH100044	WASH / RINSE ARM ASSEMBLY
4	16	MH100045	WASH / RINSE ARM 4 JETS
4	17	MH100049	WASH / RINSE ARM 5 JETS
4	18	MH100050	O-RING – RINSE ARM
4	19	MH100046	O-RING 24x2.5mm
4	20	MH100047	HUB for WASH / RINSE ARM
4	21	MH100048	THUMB NUT
4	22	MH100051	SPINDLE for WASH / RINSE HUB
4	23	MH100417	DISC – WATER FLOW REDUCER
4	24	MH100410	GASKET
4	25	MH100416	CENTRAL MANIFOLD – NO SPIGOT
4	26	MH100415	O-RING
4	27	MH100411	CENTRAL SPINDLE
4	28	MH100412	MANIFOLD for WASH PUMP
4	29	MH100414	O-RING
4	30	MH103426	O-RING for RINSE FEED TUBE
4	31	MH100413	LOCK NUT



Page	Ref	Part Code	Description
5	1	MH104323	CAPACITOR 5Mf
5	2	MH104322	BEARING
5	3	MH100421	IMPELLER HOUSING - REAR
5	4	MH101437	O-RING for WASH PUMP
5	5	MH100725	MECHANICAL SEAL
5	6	MH100419	IMPELLER T176