



# AMIKA 45XL PARTS BOOK

From S/N: 2748533

To S/N: 2786016

13.12.2012

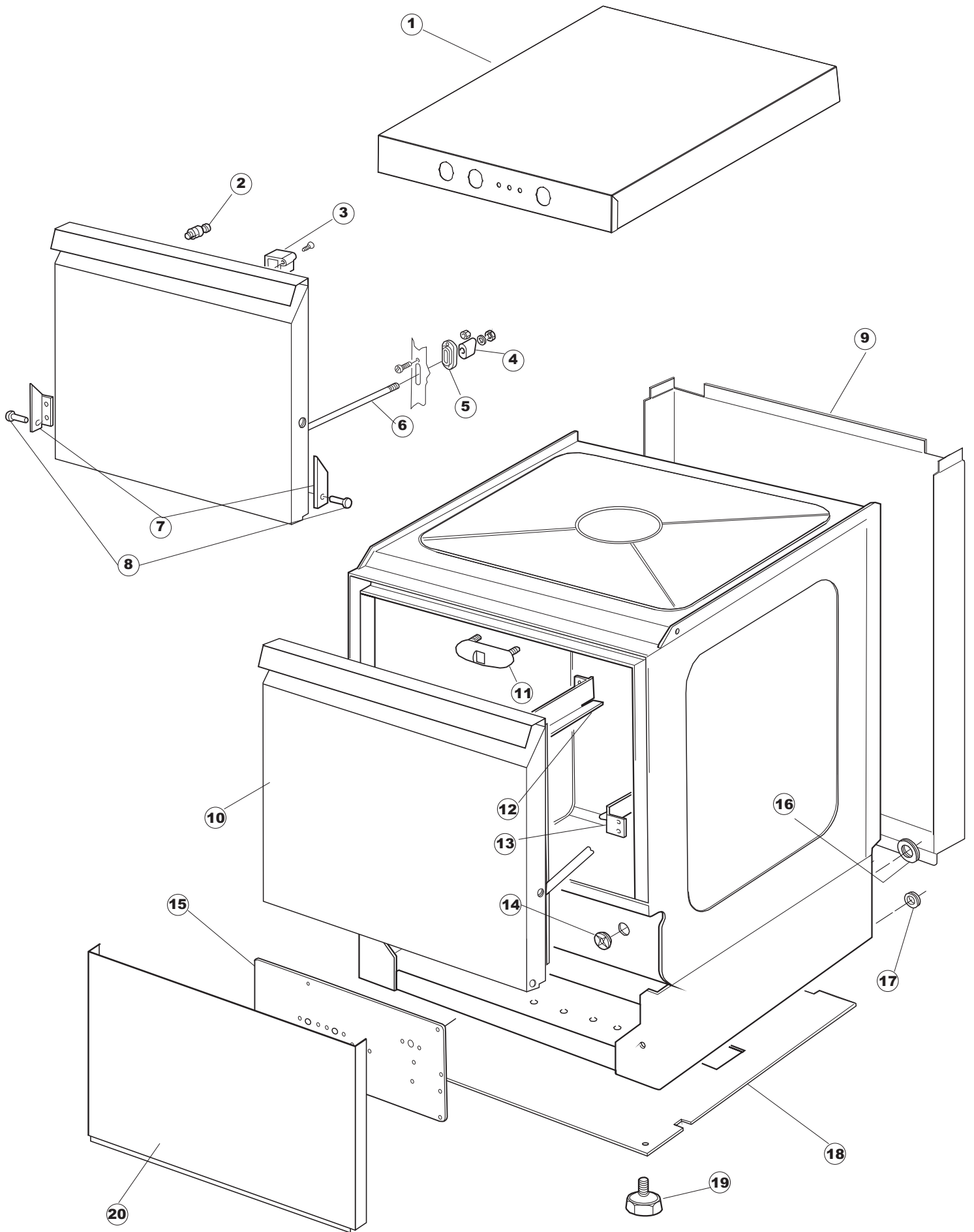
**All spares available from**



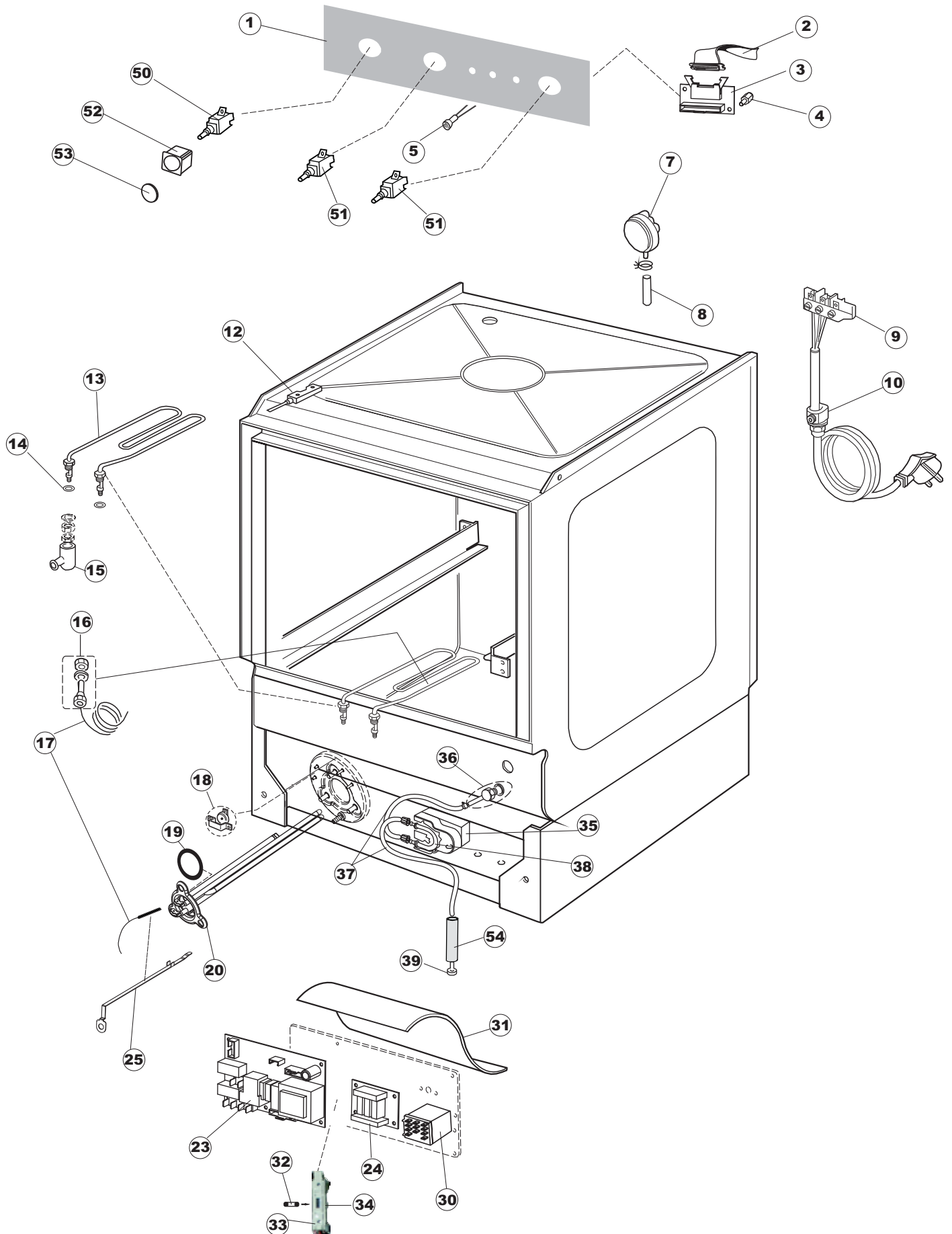
The Engine Shed  
Top Station Road  
Brackley  
NN13 7UG  
Tel: 0845 1308060  
Fax: 01280 845345  
Web: [www.caterparts.com](http://www.caterparts.com)

**Copyright Notice:** All rights reserved. No parts of this manual may be reproduced in any form without express written permission of Maidaid-Halcyon (A trading name of Buttress Group Ltd)

# 1

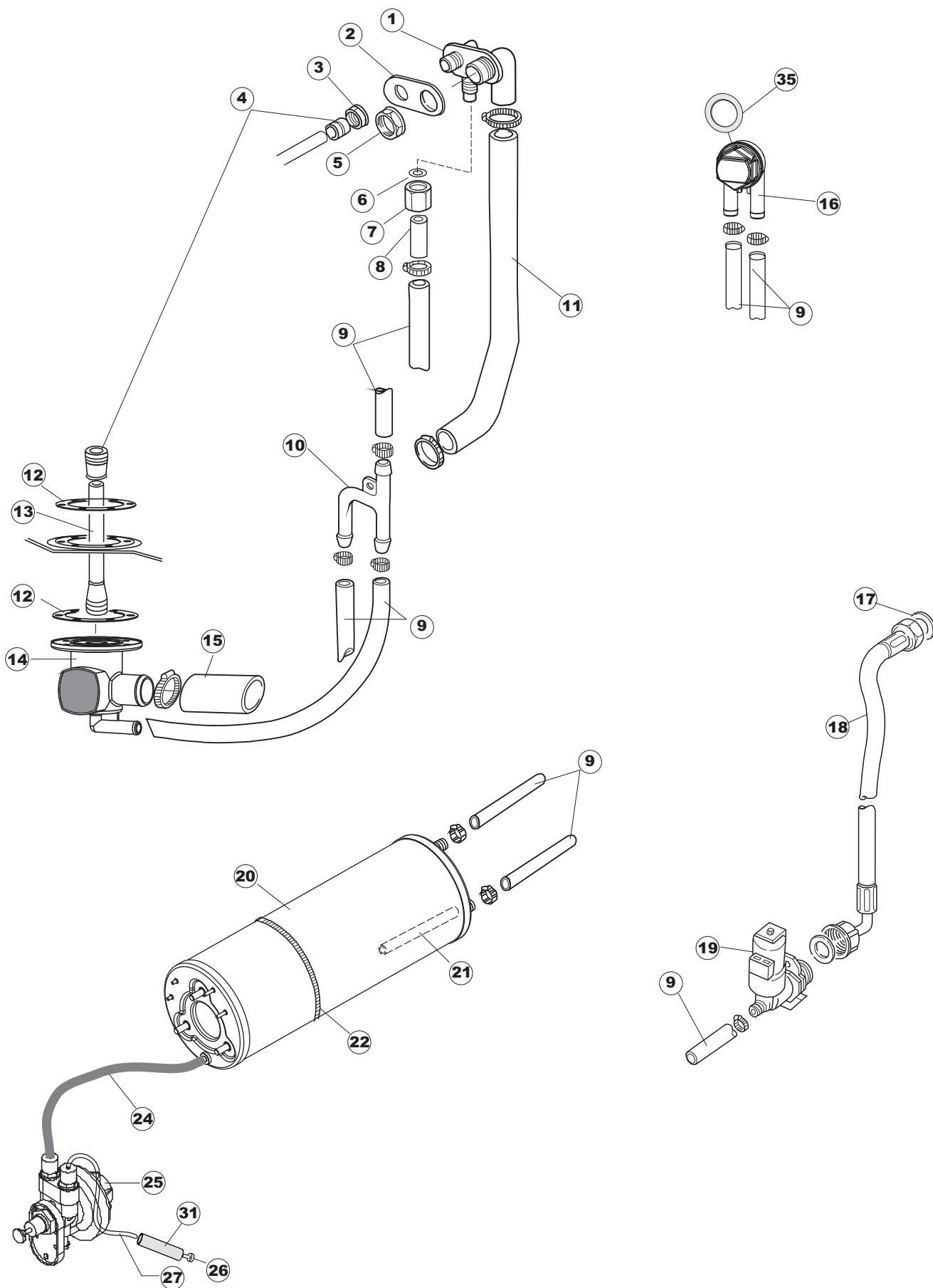


<b>Page</b>	<b>Ref</b>	<b>Part Code</b>	<b>Description</b>
1	1	MH104542	TOP PANEL
1	2	MH101429	LOCKING PIN
1	3	MH100449	MAGNET FOR DOOR
1	4	MH100472	STOP FOR DOOR GUIDE
1	5	MH100471	STAY GUIDE FOR DOOR
1	6	MH100470	DOOR STAY
1	7	MH100469	HINGE FOR DOOR
1	8	MH100468	HINGE PIN
1	9	MH100965	BACK PANEL
1	10	MH104490	DOOR
1	11	MH100463	DOOR CATCH - INNER
1	12	MH100973	BASKET GUIDE L/H
1	13	MH100972	BASKET GUIDE R/H
1	14	MH100461	PLUG FOR WASH TANK
1	15	MH100970	GUARD
1	16	MH100457	CABLE GROMMET
1	17	MH100347	CABLE GLAND
1	18	MH100968	BOTTOM PANEL COVER
1	19	MH100459	MACHINE FOOT
1	20	MH101443	LOWER FRONT PANEL

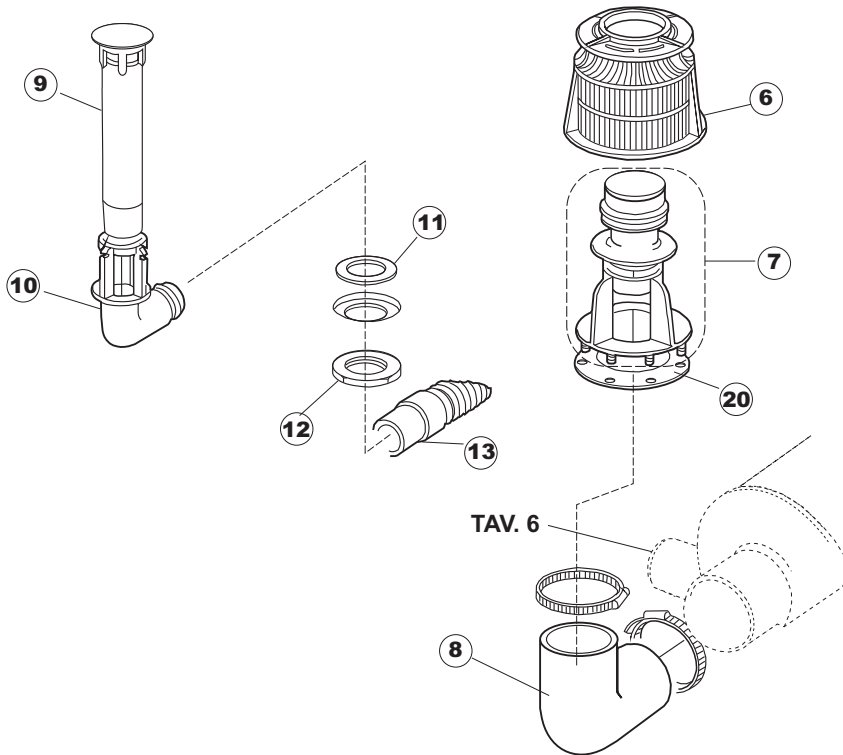
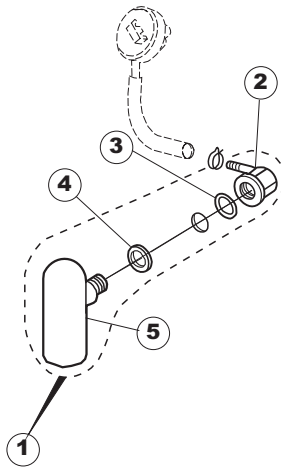


Page	Ref	Part Code	Description
2	1	MH104509	FASCIA
2	2	MH103900	RIBBON CABLE
2	3	MH104540	INTERFACE PCB
2	4	MH104541	PCB MOUNTING PIN
2	5	MH104510	LAMP
2	7	MH100473	PRESSURE SWITCH 55/35
2	8	MH104386	TUBE 4x6mm PVC (10Mtr pack)
2	9	MH100975	CONNECTOR BLOCK 3 POLE
2	10	MH100481	CABLE STOP – BLACK
2	12	MH104286	DOOR SWITCH
2	13	MH100629	ELEMENT 2.45Kw 240V c/w GASKET
2	14	MH100488	O-RING
2	15	MH100366	COVER FOR ELEMENT CONNECTIONS
2	16	MH102214	PROBE HOUSING
2	17	MH103715	TEMP. PROBE – WASH/RINSE CYCLE
2	18	MH100367	SAFETY THERMOSTAT 110deg C – BOILER
2	19	MH101357	O-RING – BOILER ELEMENT
2	20	MH101358	ELEMENT 2.6Kw TRIANGULAR FLANGE
2	23	MH104511	MAIN PCB BOARD
2	24	MH104512	AUXILIARY PCB BOARD
2	25	MH103726	PROBE HOLDER – FOR THERMOSTAT
2	30	MH101432	RELAY FINDER 2 POLE 16A 6 PIN
2	31	MH100976	PLASTIC PROTECTION for ELECTRICS
2	32	MH100580	FUSE 4A
2	33	MH103967	HOLDER FOR FUSE
2	34	MH103968	FIXING PLATE
2	35	MH104387	DETERGENT PUMP - MICRodos
2	35	MH100361	DETERGENT PUMP - SEKO
2	36	MH104266	DETERGENT ELBOW – METAL M12
2	37	MH104265	TUBE 4x6mm – CLEAR per Mtr
2	38	MH103789	INTERNAL DET. SQUEEZE TUBE - MICRodos
2	38	MH100362	INTERNAL DET. SQUEEZE TUBE - SEKO
2	39	MH103645	BOTTLE WEIGHT & FILTER
2	50	MH100199	SWITCH – 2 POLE 250V 2CO 16A
2	51	MH101700	SWITCH 2 POLE 16A 250V
2	52	MH104494	SWITCH HOUSING
2	53	MH104489	GREY BUTTON – ROUND 21mm dia.
2	54	MH100363	TUBING – BOTTLE SUPPORT

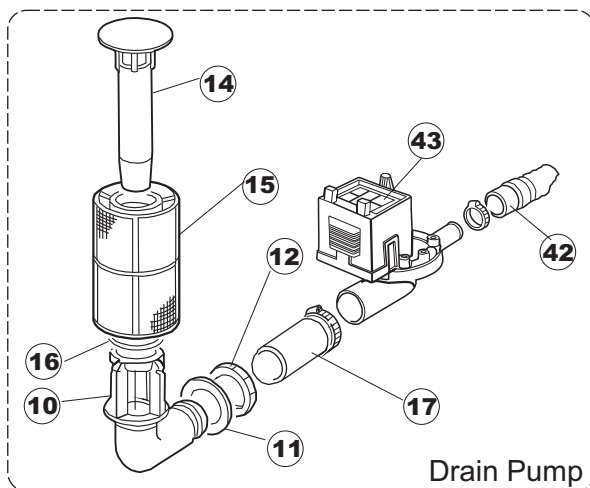
# 3



Page	Ref	Part Code	Description
3	1	MH100979	FEED ELBOW – WASH / RINSE
3	2	MH100980	GASKET for FEED ELBOW
3	3	MH100981	NUT for RINSE FEED
3	4	MH100490	INSERT SEAL dia 100mm
3	5	MH100440	CONNECTOR for WASH TUBE - TOP
3	6	MH100982	WASHER for LOWER BOSS RINSE TUBE
3	7	MH100983	NUT
3	8	MH100984	INSERT TUBE – RINSE FEED
3	9	MH100500	TUBE – SOLENOID TO BREAK TANK
3	10	MH100584	CONNECTOR 3 WAY – RINSE
3	11	MH100985	RUBBER HOSE – WASH FEED
3	12	MH100491	GASKET for BOTTOM BOSS
3	13	MH101161	RINSE TUBE for BOTTOM BOSS
3	14	MH101901	MANIFOLD
3	15	MH101837	INLET HOSE 3 WAY
3	16	MH104488	AIR BOX
3	17	MH100379	WASHER S641 EXPO
3	18	MH100540	FEED TUBE DVGW
3	19	MH103662	SOLENOID VALVE SINGLE – STRAIGHT 11.5mm
3	20	MH100674	BOILER for TRIANGULAR ELEMENT
3	21	MH100042	TUBE
3	22	MH100990	STRAP
3	24	MH104388	TUBE for PRESSURE SWITCH 5x11mm per Mtr
3	25	MH103633	RINSE AID DOSER - HYDRAULIC
3	26	MH103645	BOTTLE WEIGHT & FILTER
3	27	MH103969	TUBE 4x6mm PVC (1Mtr pack)
3	31	MH100363	TUBING – BOTTLE SUPPORT
3	35	MH100444	GASKET for TOP WASH FEED



TAV. 6

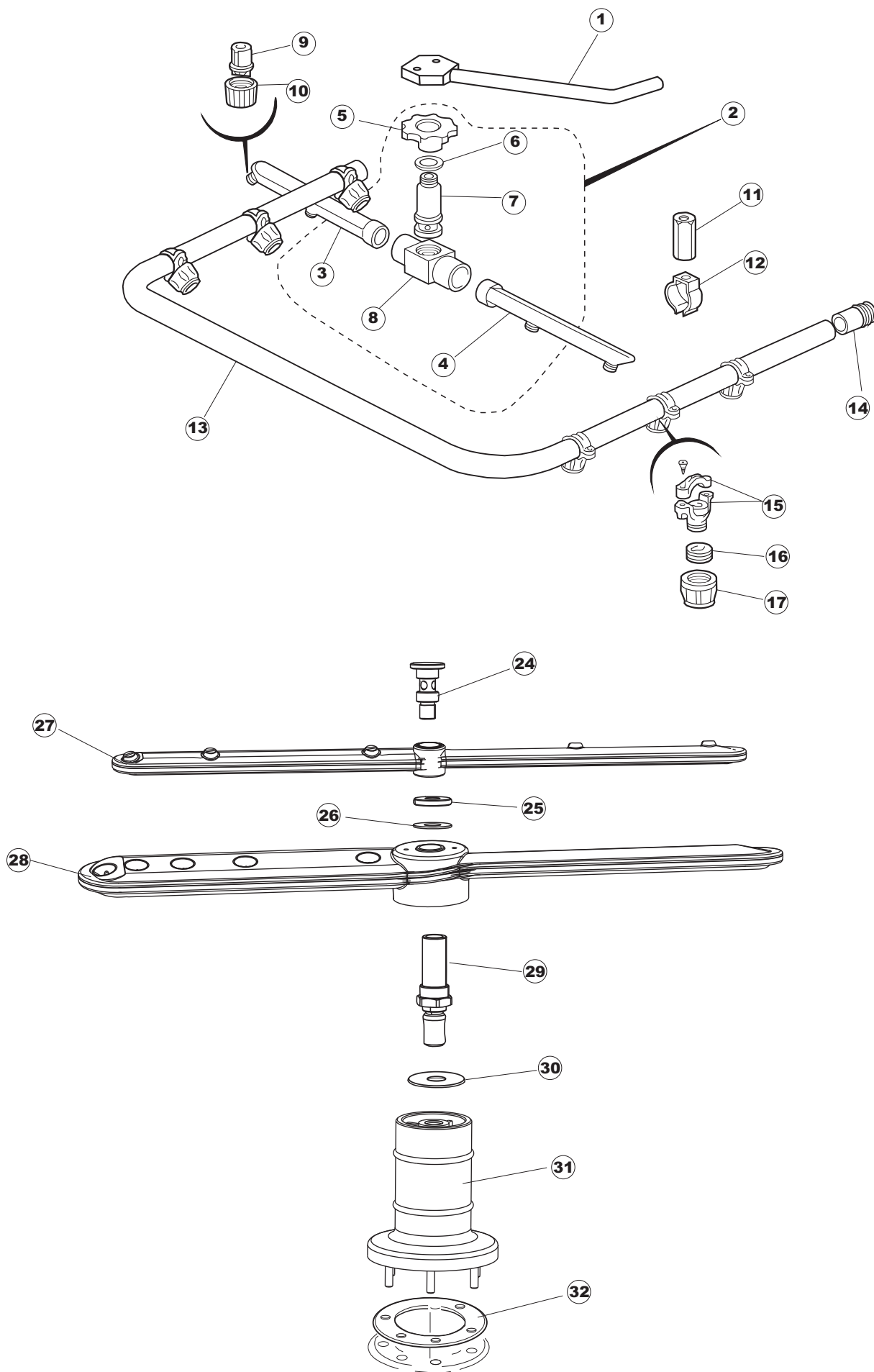


Drain Pump

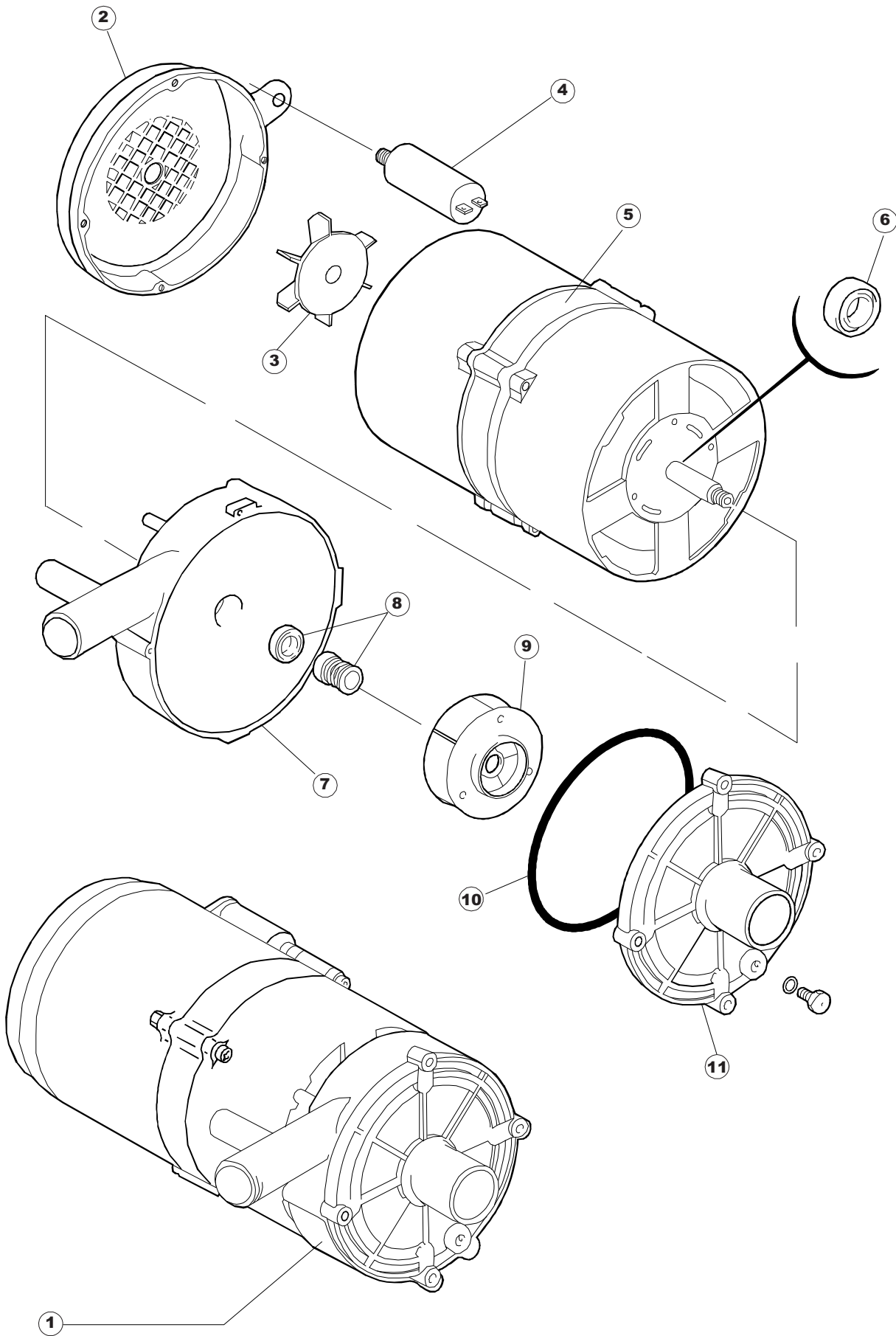


Page	Ref	Part Code	Description
4	1	MH100372	AIR BOX ASSEMBLY
4	2	MH100376	ELBOW CONNECTOR for AIR BOX
4	3	MH100375	O-RING
4	4	MH100374	O-RING for AIR BOX CONNECTION
4	5	MH100373	AIR BOX
4	6	MH101949	FILTER for WASH PUMP dia. 1554x120mm
4	7	MH100519	FILTER STAND
4	8	MH100991	HOSE ELBOW
4	9	MH100524	DRAIN PLUG dia.36x155mm – PLASTIC
4	10	MH100513	DRAIN ELBOW - PLASTIC
4	11	MH100505	WASHER
4	12	MH100503	NUT – PLATIC 1-1/4
4	13	MH100509	DRAIN HOSE D=34mm L=1500mm
4	14	MH100501	DRAIN PLUG dia.35mm L=147mm
4	15	MH100502	FILTER – DRAIN PUMP dia.62x117mm
4	16	MH100514	FILTER RING
4	17	MH100966	OUTLET HOUSE – DRAIN
4	20	MH100520	GASKET for PUMP FILTER
4	42	MH100355	DRAIN HOSE L=2450mm dia.22mm
4	43	MH104533	DRAIN PUMP (OPTIONAL)

# 5



Page	Ref	Part Code	Description
5	1	MH100994	TOP RINSE FEED
5	2	MH100404	RINSE ARM COMPLETE – TOP ASSY. 4 JETS
5	3	MH100407	RINSE ARM – TOP 2 JETS (STRAIGHT END JET)
5	4	MH100405	RINSE ARM – TOP 2 JETS (ANGLED END JET)
5	5	MH100401	LOCK NUT for TOP RINSE ARM
5	6	MH100402	WASHER for TOP RINSE ARM
5	7	MH100403	SPINDLE for TOP RINSE BOSS
5	8	MH100406	ROTATING TOP RINSE BOSS
5	9	MH100409	RINSE JET CENTRE
5	10	MH100408	RETAINER for RINSE JET
5	11	MH100993	CLIP SPACER
5	12	MH100435	SPRING CLIP
5	13	MH101444	WASH ARM 6 JETS – UPPER ASSEMBLY
5	14	MH100439	COLLAR
5	15	MH101445	COLLAR for JET MOUNTING – GREY
5	16	MH100438	WASH JET INSERT TOP
5	17	MH100437	WASH JET RETAINER TOP
5	24	MH104373	RINSE ARM SPINDLE
5	25	MH103846	THUMB NUT
5	26	MH103844	GASKET – TEFLON
5	27	MH104499	RINSE ARM COMPLETE
5	28	MH104500	WASH ARM COMPLETE
5	29	MH104379	SPINDLE – WASH ARM – LOWER
5	30	MH101006	DISC – WATER FLOW REDUCER
5	31	MH103794	WASH BOSS
5	32	MH100491	GASKET for LOWER BOSS



**T90**

<b>Page</b>	<b>Ref</b>	<b>Part Code</b>	<b>Description</b>
	1	MH101018	WASH PUMP c/w CAPACITOR
	2	MH101012	FAN PROTECTION T80/90
	3	MH101014	MOTOR COOLING FAN BLADE
	4	Q119344	CAPACITOR 8Mf
	5	MH101013	FLANGE PLACER – T90
	6	MH100534	BEARING
	7	MH101017	COVER for IMPELLER (REAR)
	8	MH100539	MECHANICAL SEAL for WASH PUMP
	9	MH101015	IMPELLER
	10	MH100418	O-RING
	11	MH101016	FRONT COVER for IMPELLER