



AMIKA 91XL PARTS BOOK

From S/N: 4252985

15-05-2013

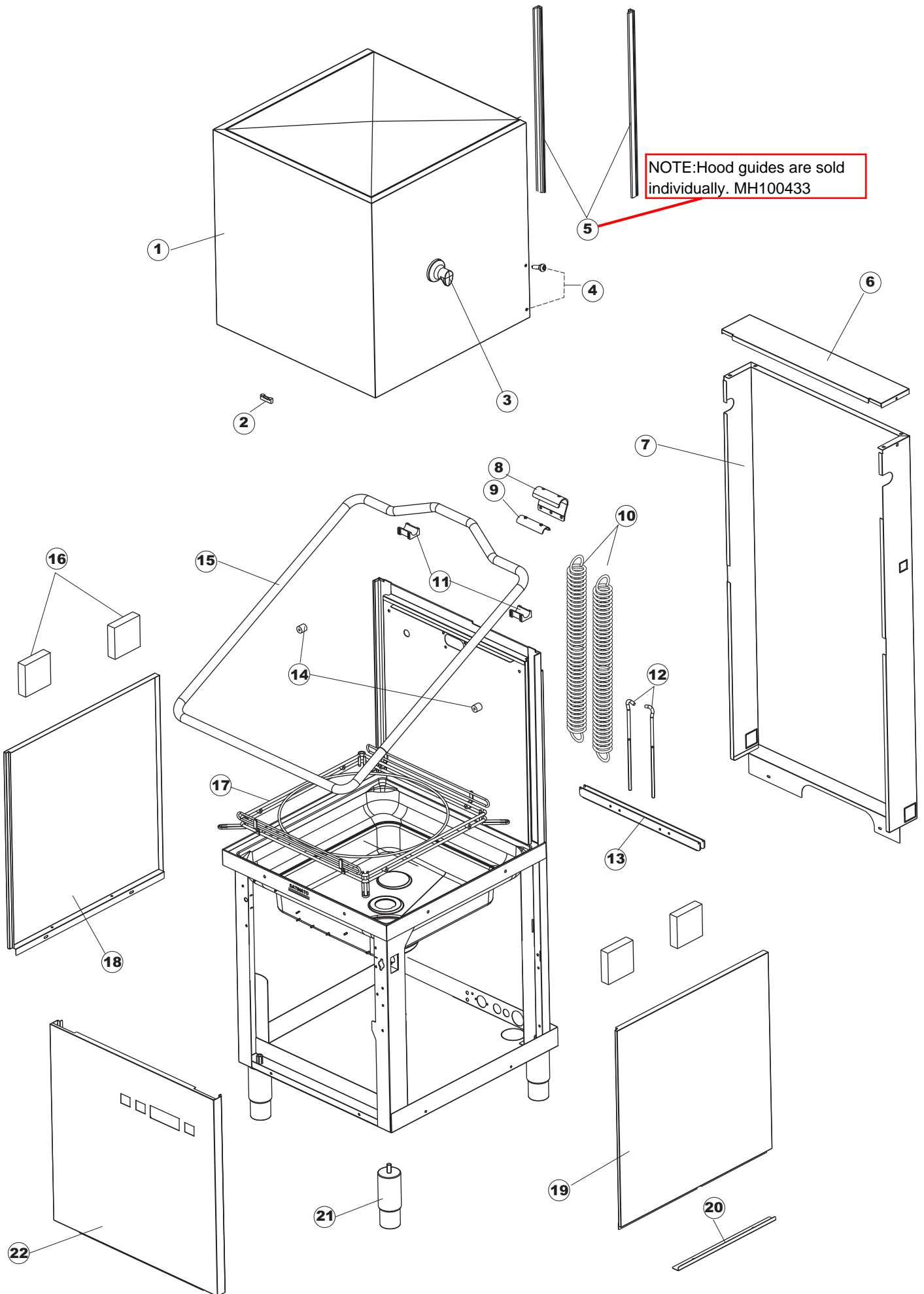
All spares available from



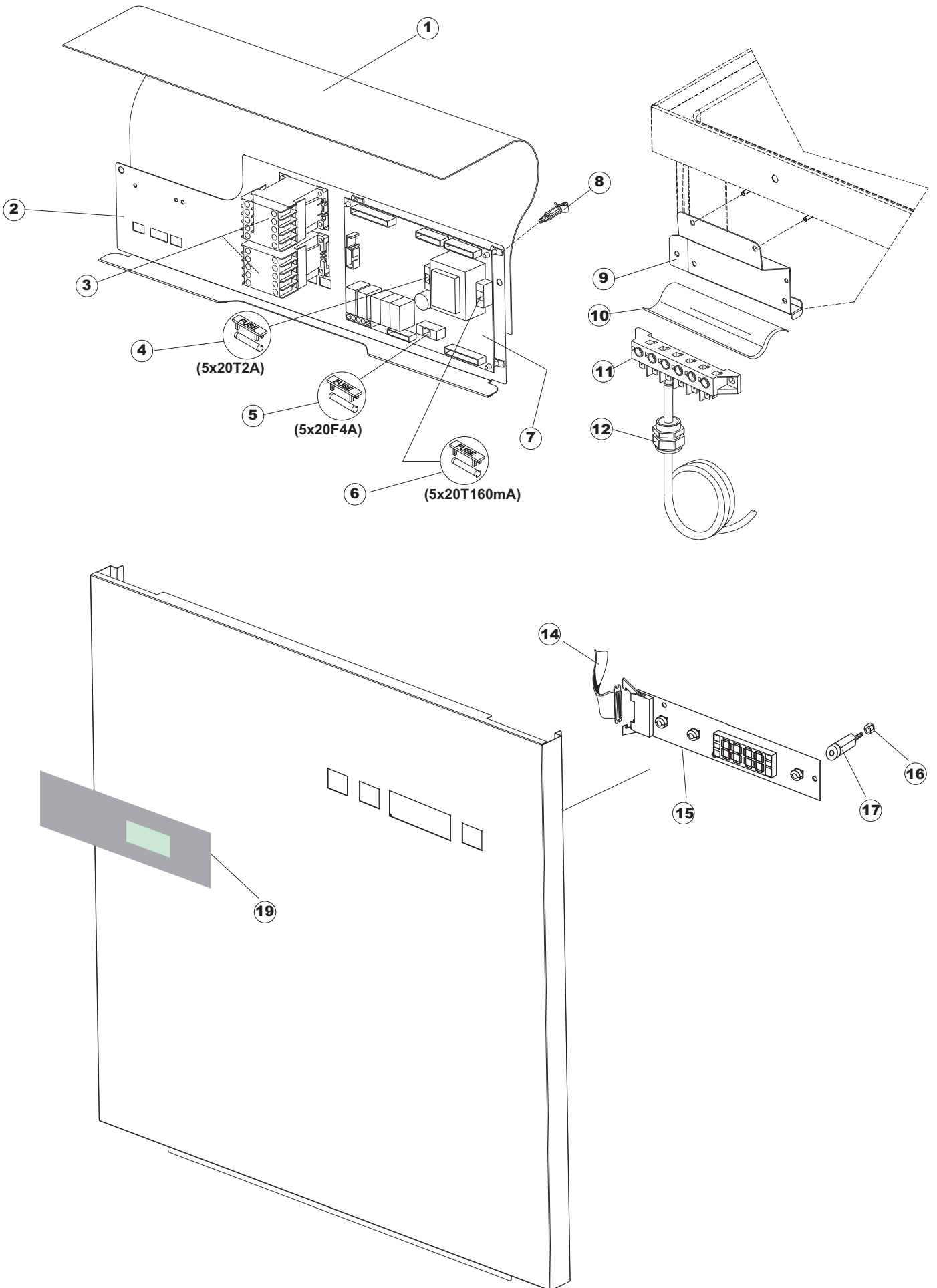
The Engine Shed
Top Station Road
Brackley
NN13 7UG
Tel: 0845 1308060
Fax: 01280 845345
Web: www.caterparts.com

Copyright Notice: All rights reserved. No parts of this manual may be reproduced in any form without express written permission of Maidaid-Halcyon (A trading name of Buttress Group Ltd)

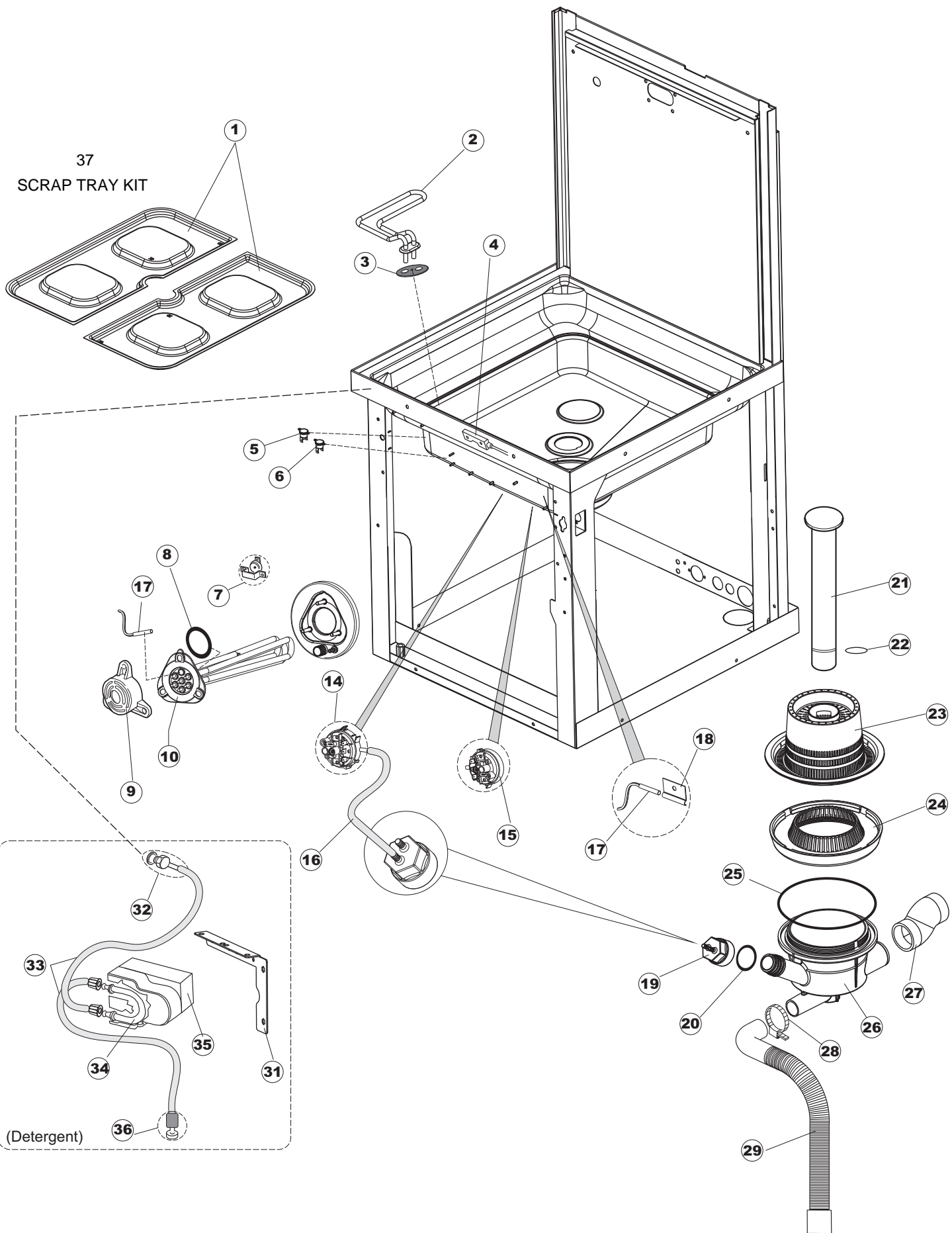
1



| Page | Ref | Part Code | Description |
|------|-----|-----------|-------------------------------|
| 1 | 1 | MH101376 | COMPLETE HOOD |
| 1 | 2 | MH101077 | MAGNET FOR MICROSWITCH |
| 1 | 3 | MH103814 | GUIDE FOR HOOD HANDLE |
| 1 | 4 | MH100626 | GUIDE FOR HOOD – NYLON |
| 1 | 5 | MH100433 | HOOD GUIDE(SOLD INDIVIDUALLY) |
| 1 | 6 | MH103815 | REAR PANEL – TOP PLATE |
| 1 | 7 | MH100556 | REAR PANEL |
| 1 | 8 | MH100557 | SPRING MOUNTING PLATE |
| 1 | 9 | MH100558 | HANDLE PROTECTION |
| 1 | 10 | MH100571 | SPRING for HOOD |
| 1 | 11 | MH100562 | BEARING FOR HOOD HANDLE |
| 1 | 12 | MH100570 | SPRING ADJUSTMENT HOOK |
| 1 | 13 | MH100569 | BACK STRIP |
| 1 | 14 | MH100563 | BUFFER |
| 1 | 15 | MH100561 | HANDLE FOR HOOD |
| 1 | 16 | MH100565 | ADHESIVE PAD |
| 1 | 17 | MH100564 | RACK CARRIER |
| 1 | 18 | MH100560 | SIDE PANEL L/H |
| 1 | 19 | MH100568 | SIDE PANEL R/H |
| 1 | 20 | MH100567 | FRONT STRIP |
| 1 | 21 | MH100566 | ADJUSTABLE FOOT |
| 1 | 22 | MH104644 | FRONT PANEL |

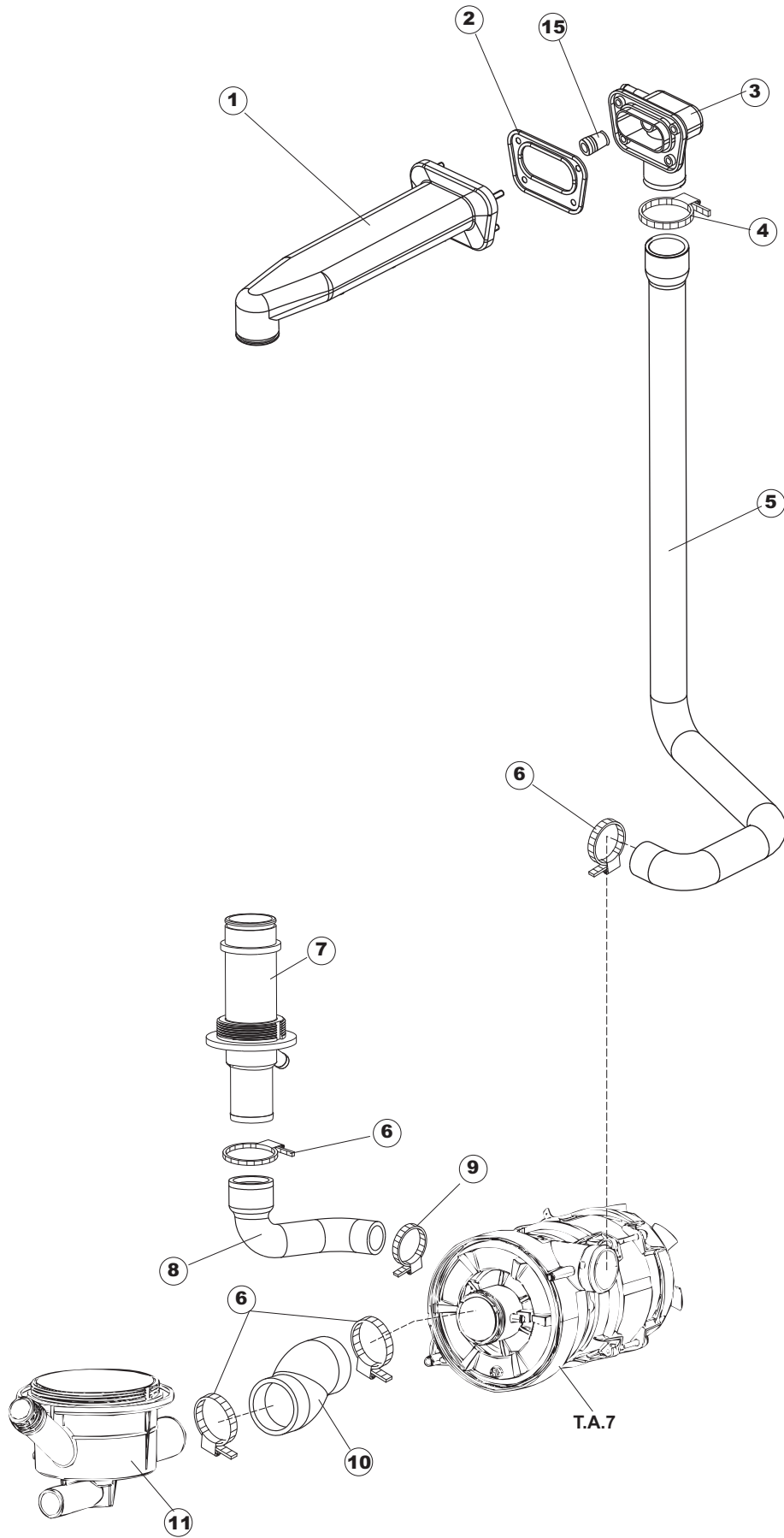


| Page | Ref | Part Code | Description |
|------|-----|-----------|--|
| 2 | 1 | MH103820 | PLASTIC CURTAIN for CONTROLS 480x300mm |
| 2 | 2 | MH104697 | BACK PLATE for CONTROLS & PCB |
| 2 | 3 | MH102375 | CONTACTOR 4Kw 1NO |
| 2 | 4 | MH100281 | FUSE 2A 5x20T |
| 2 | 5 | MH100580 | FUSE 4A |
| 2 | 6 | MH100282 | FUSE 100Ma 5X20T |
| 2 | 7 | MH104546 | MAIN PCB BOARD |
| 2 | 8 | MH101397 | PCB FOOT |
| 2 | 9 | MH101371 | BRACKET |
| 2 | 10 | MH103912 | PROTECTION |
| 2 | 11 | MH100262 | TERMINAL BLOCK 6 POLE |
| 2 | 12 | MH101372 | GLAND for CABLE |
| 2 | 14 | MH101373 | RIBBON CABLE |
| 2 | 15 | MH104545 | DISPLAY PCB |
| 2 | 16 | MH101355 | NUT M3 – WHITE PLASTIC |
| 2 | 17 | MH101059 | PCB LOCATION SPACER |
| 2 | 19 | MH104702 | FASCIA - AMIKA 91XL |



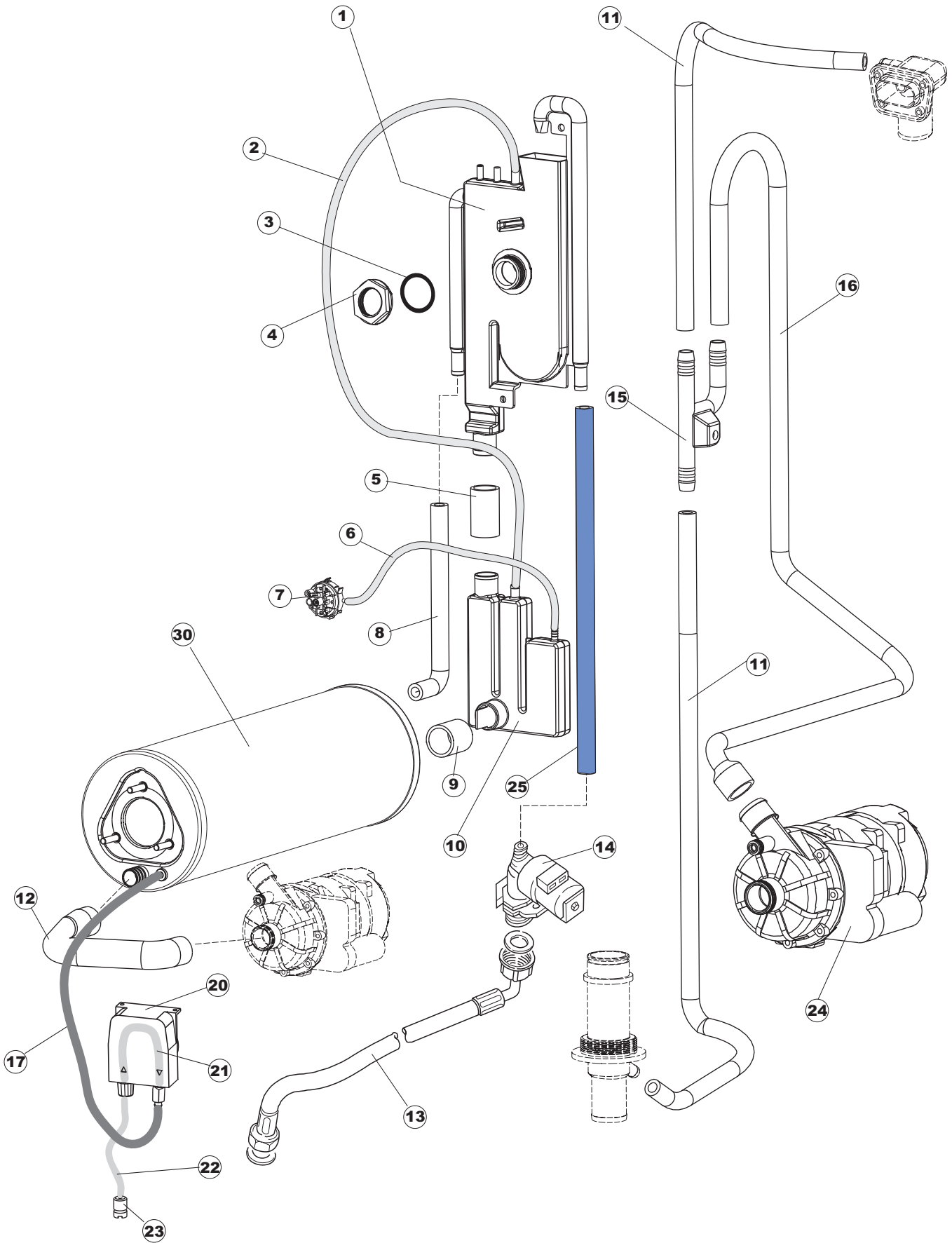
| Page | Ref | Part Code | Description |
|------|-----|-----------|--|
| 3 | 1 | MH104593 | SCRAP TRAY FILTER |
| 3 | 2 | MH104431 | ELEMENT 2.1Kw 230V – WASH TANK c/w GASKET |
| 3 | 3 | MH100370 | GASKET FOR WASH TANK ELEMENT |
| 3 | 4 | MH100377 | DOOR SWITCH |
| 3 | 5 | MH100601 | SAFETY THERMOSTAT 95°C – RINSE TANK |
| 3 | 6 | MH103821 | CONTACT THERMOSTAT 90°C |
| 3 | 7 | MH100601 | SAFETY THERMOSTAT 95°C – BOILER |
| 3 | 8 | MH100599 | GASKET FOR RINSE ELEMENT |
| 3 | 9 | MH101070 | ELEMENT COVER |
| 3 | 10 | MH103646 | ELEMENT 6Kw 230V c/w GASKET – BOILER |
| 3 | 14 | MH103910 | PRESSURE SWITCH 105/125 |
| 3 | 15 | MH103937 | DRAIN PRESSURE SWITCH 165/140 |
| 3 | 16 | MH100353 | TUBE 4x7mm (per Mtr) – FOR PRESSURE SWITCH |
| 3 | 17 | MH103715 | TEMPERATURE PROBE WASH / RINSE CYCLE |
| 3 | 18 | MH101316 | FIXING PLATE |
| 3 | 19 | MH103954 | CONNECTION NUT FOR AIR BOX |
| 3 | 20 | MH103909 | O-RING |
| 3 | 21 | MH103914 | DRAIN PLUG |
| 3 | 22 | MH104029 | O-RING FOR DRIAN PLUG |
| 3 | 23 | MH103915 | ASPIRATION FILTER COMPLETE |
| 3 | 24 | MH103918 | RING NUT BODY – INLET & DRAIN |
| 3 | 25 | MH103919 | O-RING |
| 3 | 26 | MH103920 | ASPIRATION & DRAIN BODY |
| 3 | 27 | MH103926 | ASPIRATION HOSE |
| 3 | 28 | MH101384 | HOSE CLIP 32-50 |
| 3 | 29 | MH103927 | DRAIN HOSE |
| 3 | 31 | MH101360 | BRACKET |
| 3 | 32 | MH104266 | DETERGENT ELBOW M12 – METAL |
| 3 | 33 | MH101089 | TUBE 4x6mm CLEAR (per Mtr) |
| 3 | 34 | MH104642 | INTERNAL DETERGENT SQUEEZE TUBE 6x10mm |
| 3 | 35 | MH103979 | DETERGENT PUMP 3 L/H |
| 3 | 36 | MH104325 | BOTTLE WEIGHT & FILTER |
| 3 | 37 | MH105002 | COMPLETE SCRAP TARY KIT |

4

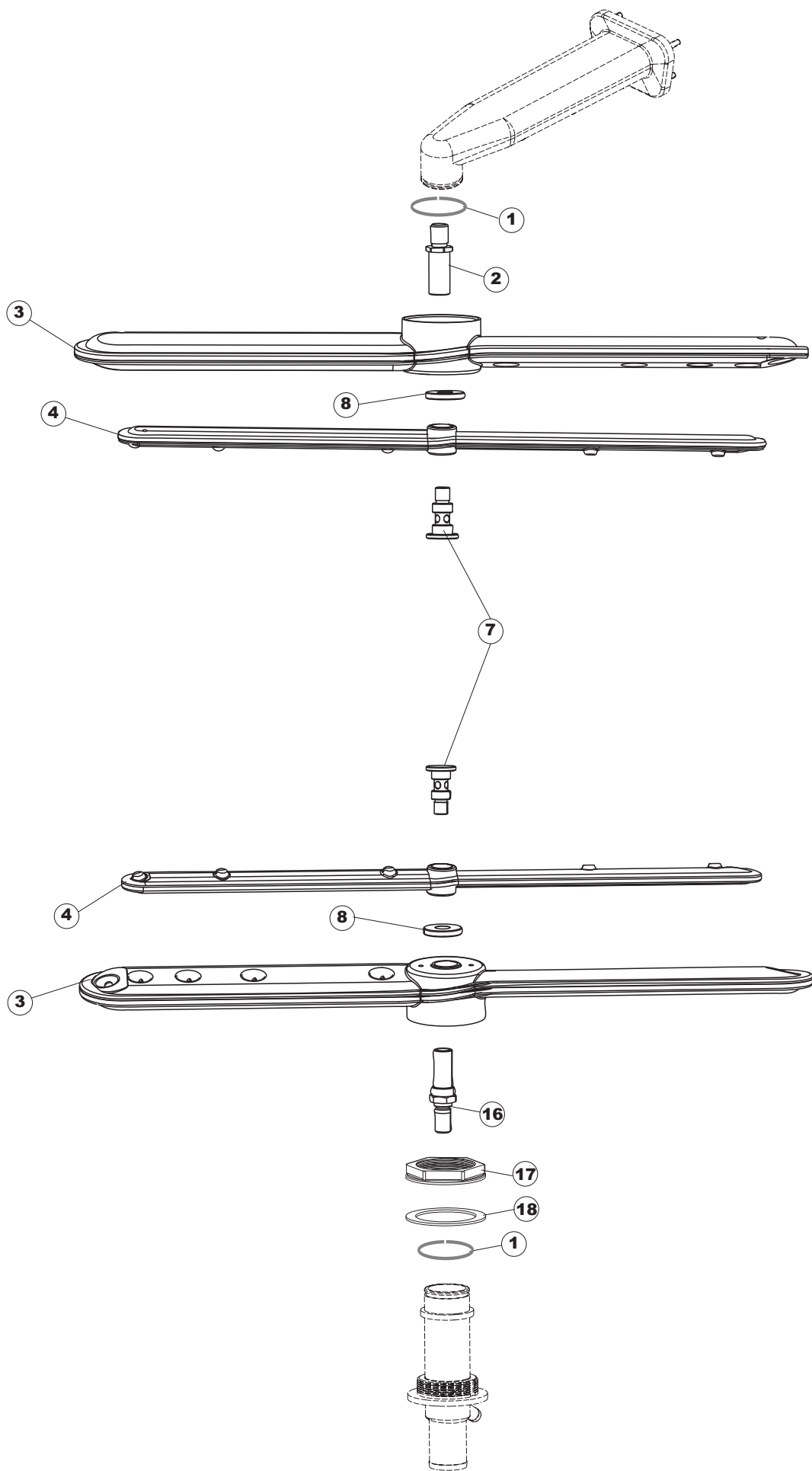


| Page | Ref | Part Code | Description |
|-------------|------------|------------------|------------------------------------|
| 4 | 1 | MH100605 | UPPER WASH SUPPORT / FEED |
| 4 | 2 | MH100606 | GASKET for WASH FEED |
| 4 | 3 | MH101180 | WASH TUBE CONNECTION (TOP REAR) |
| 4 | 4 | MH101383 | HOSE CLAMP 40-60 |
| 4 | 5 | MH101377 | WASH TUBE |
| 4 | 6 | MH101384 | HOSE CLAMP 32-50 |
| 4 | 7 | MH103931 | BOTTOM WASH / RINSE SUPPORT COLUMN |
| 4 | 8 | MH103930 | RUBBER TUBE |
| 4 | 9 | MH101386 | HOSE CLIP 20-32 |
| 4 | 10 | MH103926 | ASPIRATON HOSE |
| 4 | 11 | MH103920 | ASPIRATON & DRAIN BODY |
| 4 | 15 | MH100490 | INSERT SEAL 10mm dia. |

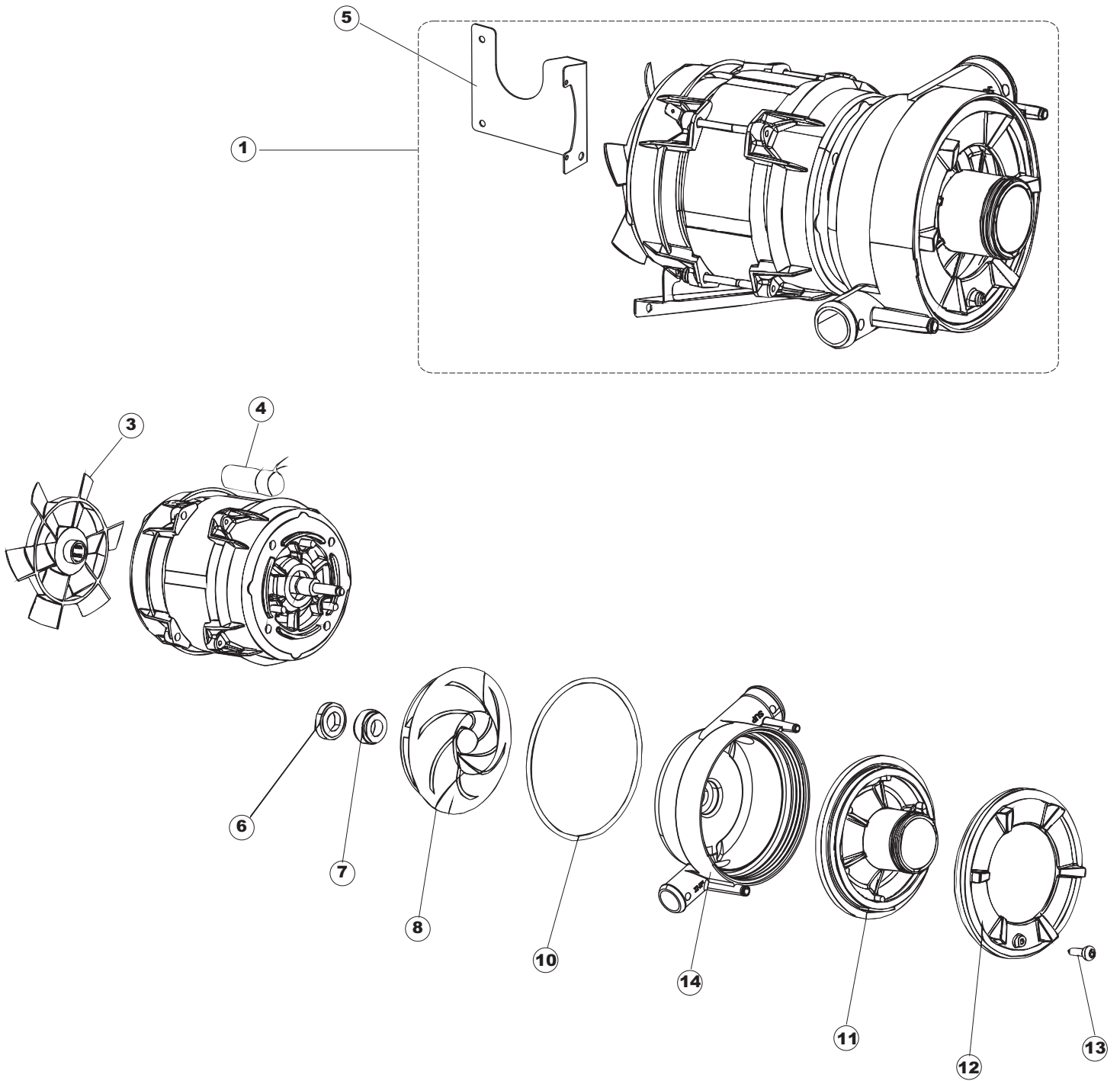
5



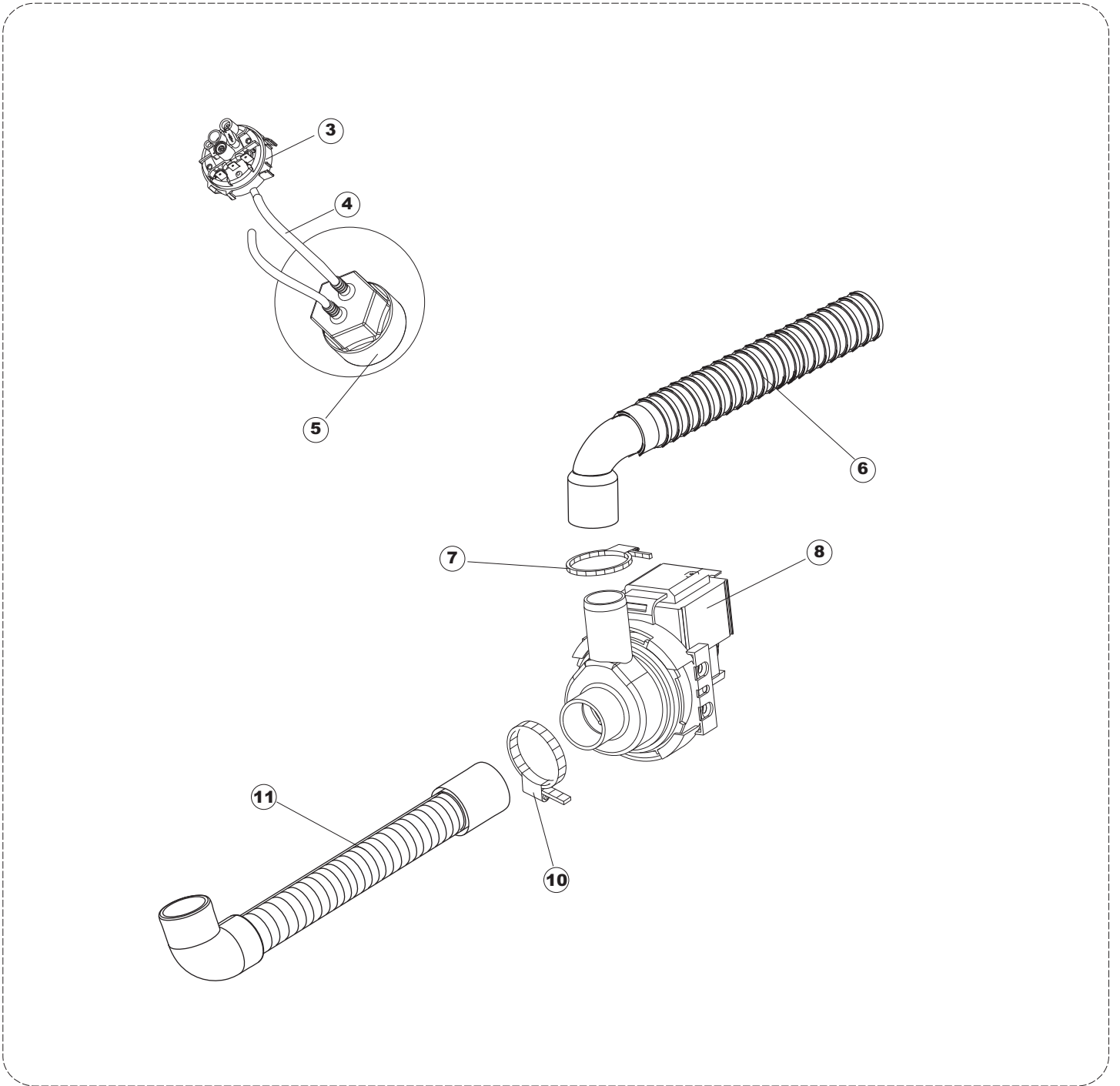
| Page | Ref | Part Code | Description |
|------|-----|-----------|--|
| 5 | 1 | MH103998 | AIR GAP- PLASTIC |
| 5 | 2 | MH102695 | TUBE 6x9mm (per Mtr) |
| 5 | 3 | MH103996 | GASKET – RUBBER |
| 5 | 4 | MH103995 | NUT – PLASTIC |
| 5 | 5 | MH103994 | RUBBER TUBE |
| 5 | 6 | MH100353 | TUBE 4x7mm FOR PRESSURE SWITCH (per Mtr) |
| 5 | 7 | MH100602 | PRESSURE SWITCH 110 / 60 |
| 5 | 8 | MH103988 | RUBBER TUBE |
| 5 | 9 | MH103991 | RUBBER TUBE |
| 5 | 10 | MH103990 | BOILER PRESSURE CHAMBER |
| 5 | 11 | MH100500 | PRESSURE TUBE 10x17mm |
| 5 | 12 | MH103989 | ASPIRATION HOSE |
| 5 | 13 | MH101390 | INLET TUBE |
| 5 | 14 | MH100380 | SOLENOID VALVE SINGLE STRAIGHT 11.5mm |
| 5 | 15 | MH100584 | CONNECTOR 3 WAY – RINSE |
| 5 | 16 | MH101128 | OUTLET HOSE for BOOSTER PUMP |
| 5 | 17 | MH104388 | FEED TUBE 5x11mm – RINSE AID BOILER |
| 5 | 20 | MH103986 | RINSE AID PUMP - PEERISTALTIC |
| 5 | 21 | MH104643 | INTERNAL RINSE AID SQUEEZE TUBE 5x10mm |
| 5 | 22 | MH100745 | TUBE 4x6mm PVC BLUE (1Mtr Pkt.) |
| 5 | 23 | MH104325 | BOTTLE WEIGHT & FILTER |
| 5 | 24 | MH103992 | BOOSTER PUMP 2Kw 230V c/w CAPACITOR |
| 5 | 25 | MH102166 | TUBE WRAS APPROVED (per Mtr.) |
| 5 | 30 | MH103983 | BOILER |



| Page | Ref | Part Code | Description |
|-------------|------------|------------------|--------------------------------------|
| 6 | 1 | MH100087 | O-RING |
| 6 | 2 | MH104480 | WASH SPINDLE |
| 6 | 3 | MH104701 | WASH ARM COMPLETE |
| 6 | 4 | MH104499 | RINSE ARM COMPLETE |
| 6 | 7 | MH104373 | RINSE ARM SPINDLE |
| 6 | 8 | MH103846 | THUMB NUT |
| 6 | 16 | MH104482 | WASH ARM SPINDLE ST/ST |
| 6 | 17 | MH103941 | RING NUT - WASH/RINSE SUPPORT COLUMN |
| 6 | 18 | MH103942 | GASKET - WASH/RINSE SUPPORT COLUMN |



| Page | Ref | Part Code | Description |
|-------------|------------|------------------|-------------------------------------|
| 7 | 1 | MH104392 | WASH PUMP 1 PHASE 230V 470W c/w CAP |
| 7 | 3 | MH103959 | FAN BLADE |
| 7 | 4 | MH102172 | CAPACITOR 10Mf |
| 7 | 5 | MH104393 | BRACKET |
| 7 | 6 | MH103960 | SHAFT SEAL LOCK |
| 7 | 7 | MH103961 | SHAFT SEAL ROTATING |
| 7 | 8 | MH103962 | IMPELLER |
| 7 | 10 | MH103963 | SEAL FOR WASH PUMP HOUSING |
| 7 | 11 | MH103964 | FRONT PLATE – WASH PUMP |
| 7 | 12 | MH103965 | LOCKING RING – FRONT PLATE |
| 7 | 13 | MH103966 | SCREW |
| 7 | 14 | MH104483 | FRONT COVER IMPELLER HOUSING |



| Page | Ref | Part Code | Description |
|-------------|------------|------------------|---------------------------|
| 8 | 1 | MH104175 | DRAIN PUMP KIT |
| 8 | 3 | MH103937 | PRESSURE SWITCH 165 / 140 |
| 8 | 4 | MH100518 | CHEMICAL TUBE 4x7mm |
| 8 | 5 | MH103938 | CONNECTION FOR AIR BOX |
| 8 | 6 | MH101893 | DRAIN HOSE |
| 8 | 7 | MH101386 | HOSE CLIP 20-32 / 9 |
| 8 | 8 | MH100595 | DRAIN PUMP 40W |
| 8 | 10 | MH101384 | HOSE CLIP 32-50 / 9.7 |
| 8 | 11 | MH104389 | HOSE |