

halcyon[®]

Wiring diagram

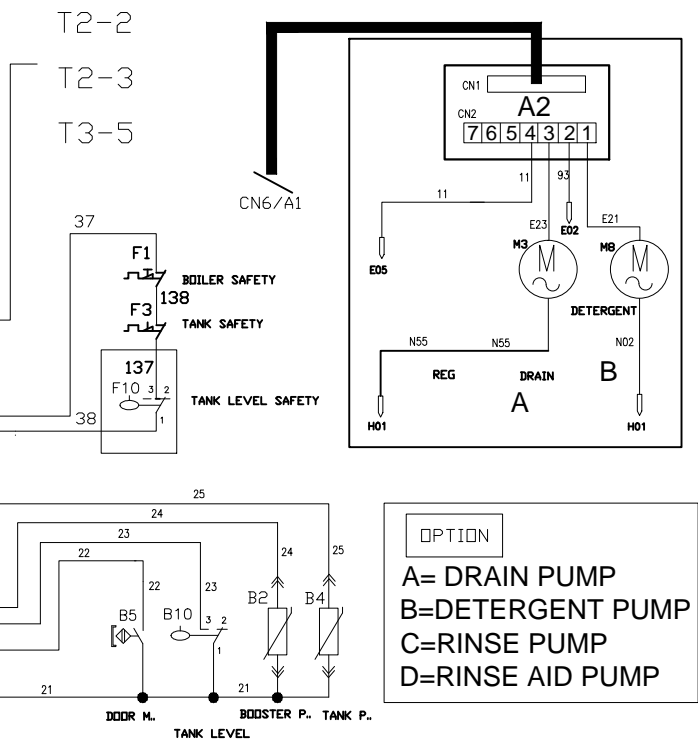
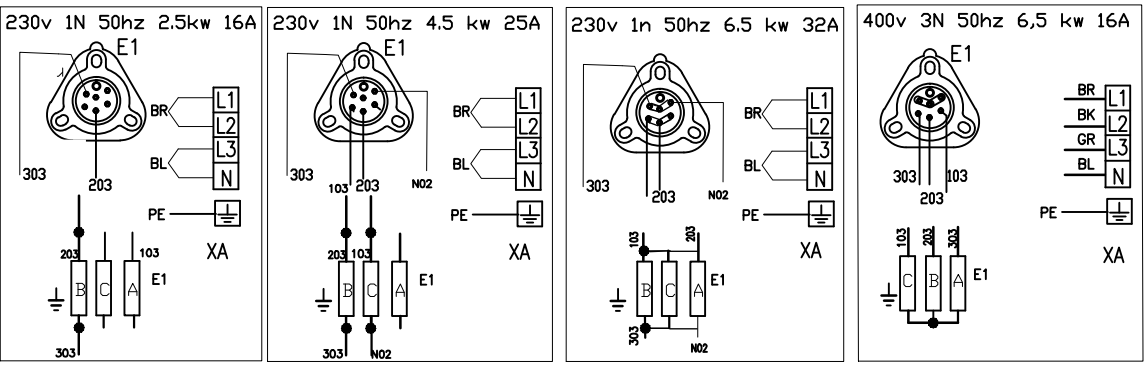
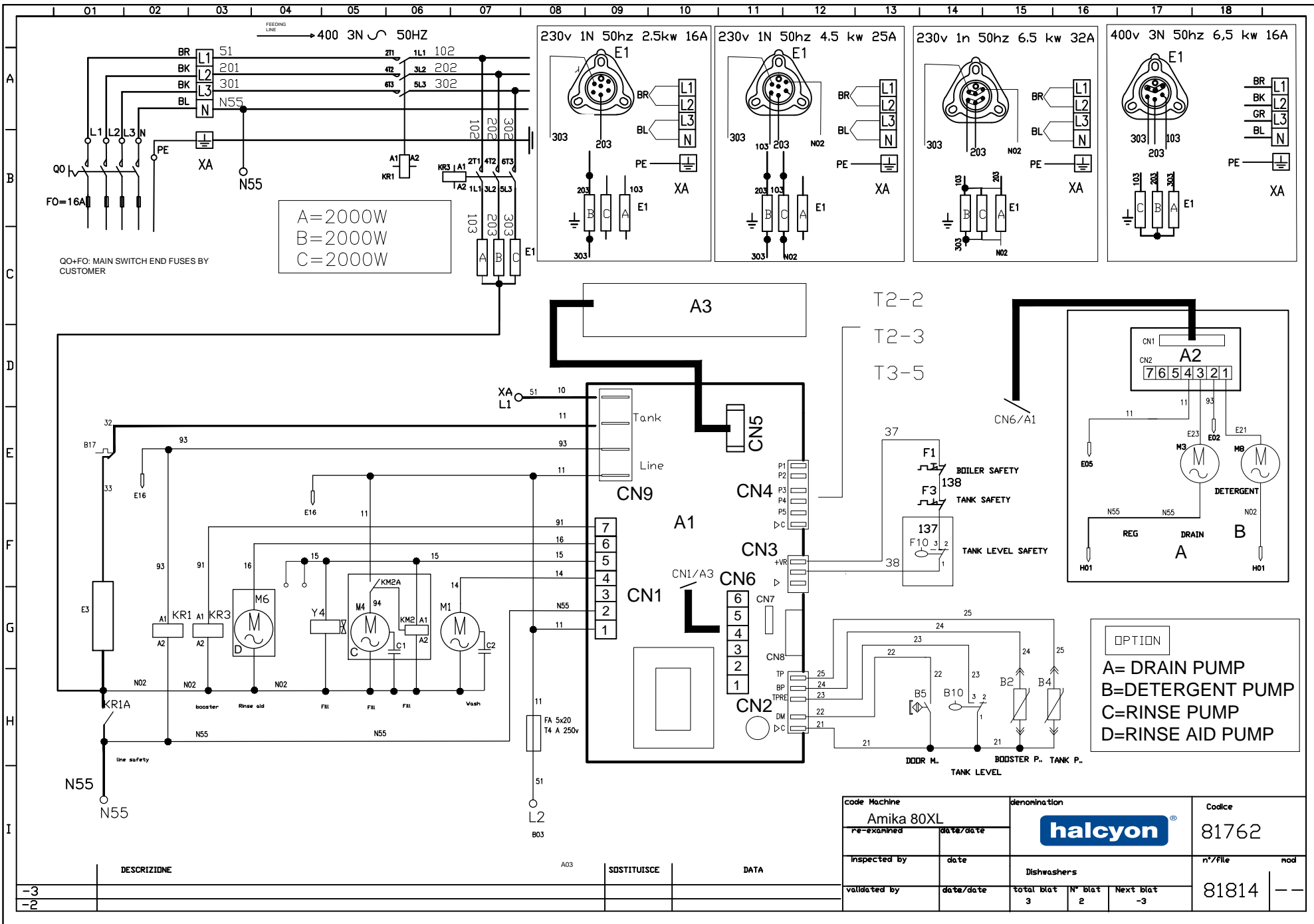
Amika 80XL

All spares available from



The Engine Shed
Top Station Road
Brackley
NN13 7UG
Tel: 0845 1308060
Fax: 01280 845345

Copyright Notice: All rights reserved. No parts of this manual may be reproduced in any form without express written permission of Maidaid-Halcyon (A trading name of Buttress Group Ltd)

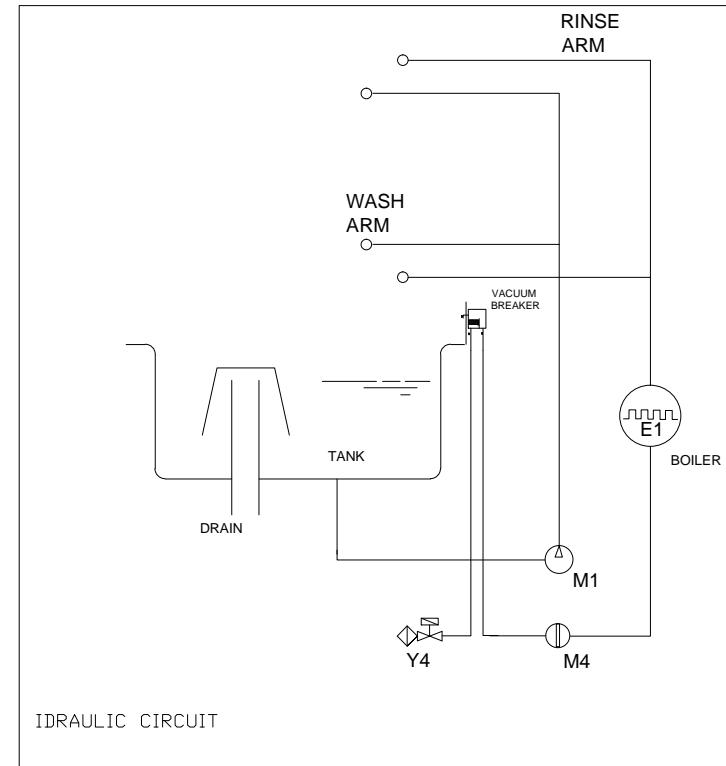
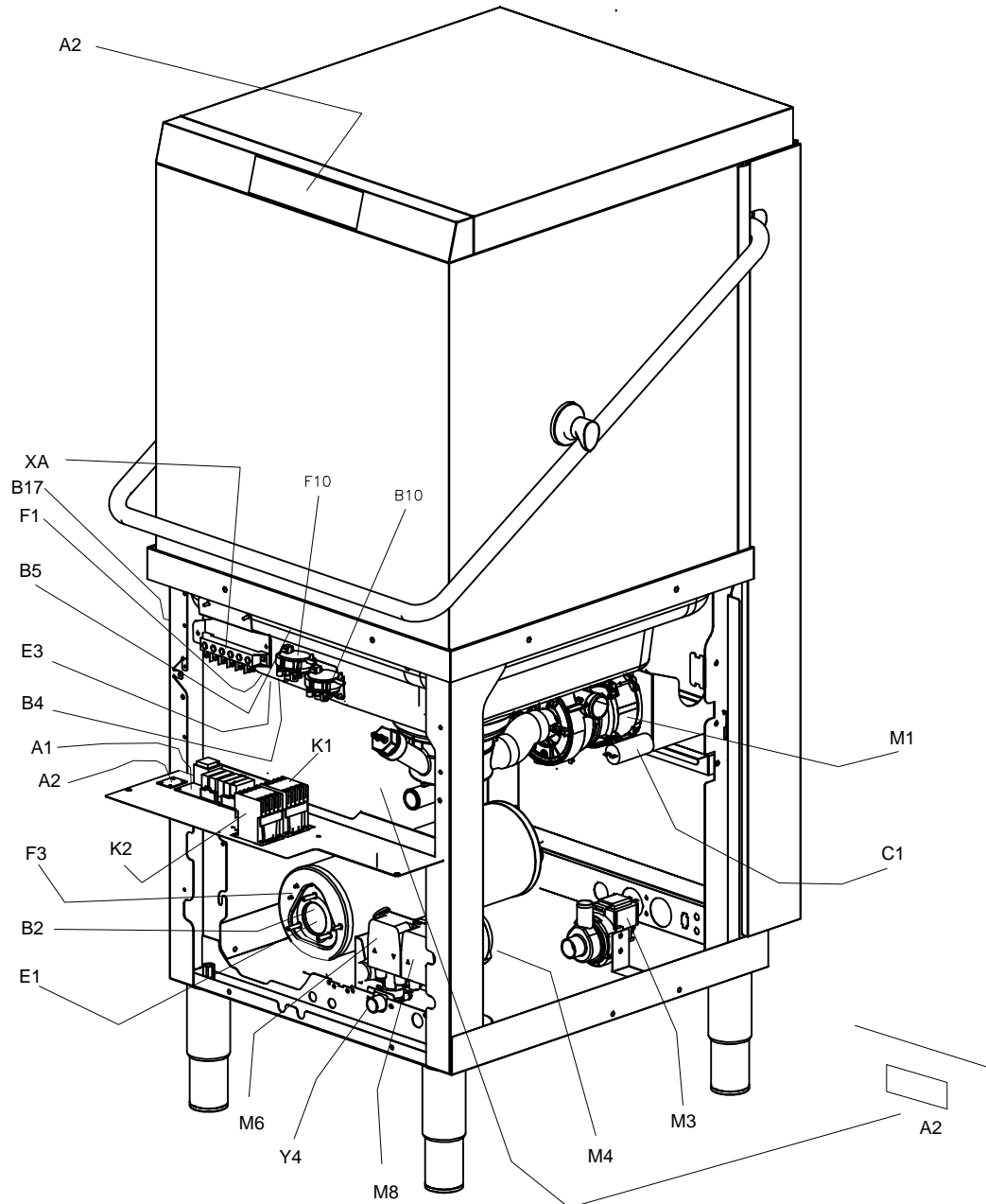


OPTION

A= DRAIN PUMP
 B=DETERGENT PUMP
 C=RINSE PUMP
 D=RINSE AID PUMP

code Machine Amika 80XL		denomination halcyon®		Codice 81762	
re-examined	date/date	Dishwashers		n°/file	nod
inspected by	date			total blat	n° blat
validated by	date/date	3	2	-3	81814

DESCRIZIONE	A03	SOSTITUISCE	DATA
-3			
-2			



IDRAULIC CIRCUIT

re-examined		date	denomination			Codice	
inspected by		date	halcyon [®]			81762	
validated by		date	Dishwashers			n° file	mod
			total blat	N° blat	Next blat	81814	--
			3	2	-3		

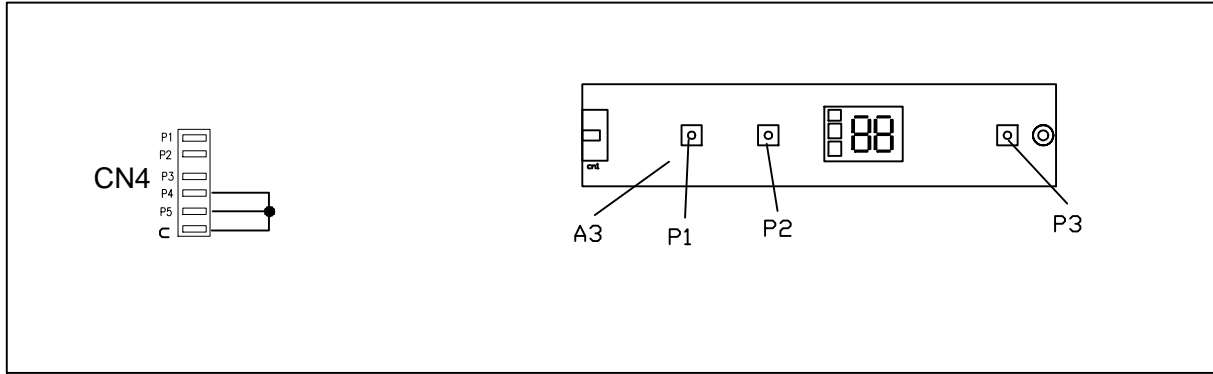
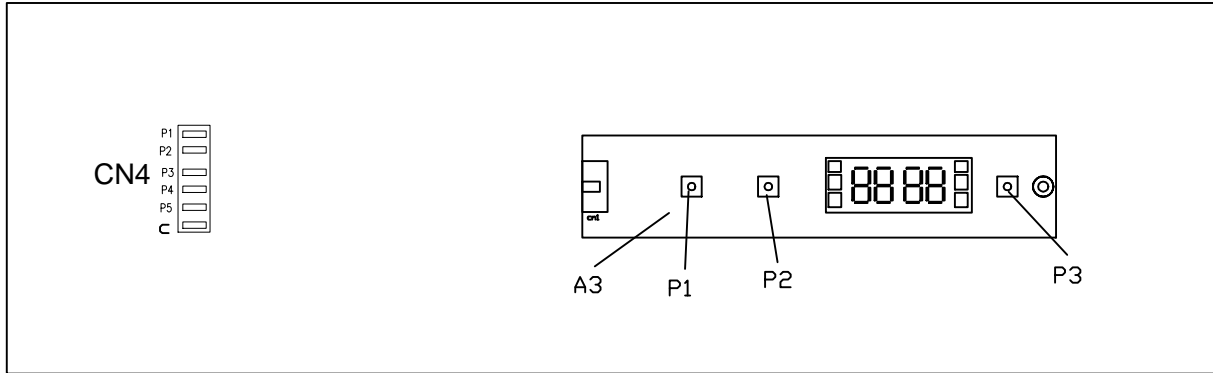
DESCRIZIONE	SOSTITUISCE	DATA

A
B
C
D
E
F
G
H

P1	PULSANTE DI LINEA MAIN SWITCH	INTERRUPTEUR DE LIGNE NETZSCHALTER		
B5	MICROINTERRUTTORE MAGNETICO MAGNETIC SAFETY MICROSWITCH	MICROINTERRUPTEUR MAGNETIQUE MAGNETISCHER SICHERHITSSCHALTER		
P3	INTERRUTTORE DI CICLO CYCLE SWITCH	INTERRUPTEUR DE DEMARRAGE WASCHVORGANGSSCHALTER		
P2	SELETORE CICLO CYCLE COMMUTATOR	SELECTEUR CYCLE WAHLSCHALTER FUER WASCHVORGANGSDAUER		
F1	TERMOSTATO SICUREZZA BOILER SAFETY BOOSTER HEATER THERMOSTAT	THERMOSTAT DE SICURITE DU BOYLER SICHERHEITZUNG		
F3	TERMOSTATO SICUREZZA VASCA SAFETY TANK HEATER THERMOSTAT	THERMOSTAT DE SICURITE CUVE SICHERHEITS- TANKTHERMOSTAT		
E3	RESISTENZA VASCA LAVAGGIO WASH TANK HEATING ELEMENT	RESISTANCE CUVE DE LAVAGE WASCHTANKHEIZUNG		
E1	RESISTENZA BOILER BOOSTER HEATER HEATING ELEMENT	RESISTANCE BOYLER BOILERHEIZUNG		
M3	ELETTROPOMPA DI SCARICO DRAIN PUMP			
M4	ELETTROPOMPA AUMENTO PRESSIONE RINSE BOOSTER PUMP	ELECTROPOMPE AUGMENT PRESSION DRUCKSTEIGERUNGSPUMPE		
M6/M8	ELETTRODOSATORE DETERSIVO EL. DETERGENT INJECTOR	DOSEUR EL. DETERGENT SPEL MITTELDOSIERGERAET		
M1	ELETTROPOMPA LAVAGGIO WASH ELECTRIC PUMP	ELECTROPOMPE LAVAGE ELEKTRISCHE UMAELZPUMPE		
MR1	TELERUTTORE SICUREZZA RESISTENZA BOILER SAFETY BOOSTER HEATER CONTACTOR	CONTACTEUR RESISTANCE BOYLER LUFTSCHUETZ F. BOILERHEIZUNG		
MR3	TELERUTTORE RESISTENZA BOILER BOOSTER HEATER CONTACTOR	CONTACTEUR RESISTANCE BOYLER LUFTSCHUETZ F. BOILERHEIZUNG		
M2	RELE" ELETTROPOMPA RISCICQUO AUSILIARIO AUXILIARY RINSE PUMP RELAY			
Y4	ELETTROVALVOLA RISCICQUO RINSE SOLENOID VALVE	ELECTROVANNE DE RINCAGE MAGNETVENT FUER NACHSPUELUNG		
FA	FUSIBILE FEUSES			
B4	SONDA CONTROLLO VASCA PROBE TANK HEATER	THERMOSTAT RESISTANCE CUVE TANKHEIZUNG/THERMOSTAT		
B2	SONDA CONTROLLO BOILER BOOSTER HEATER THERMOSTAT	THERMOSTAT RESISTANCE BOYLER BOILERHEIZUNG		
B17	DOPPIO TERMOSTATO SICUREZZA DOUBLE SAFETY THERMOSTAT			
C1/2	CONDENSATORE CAPACITOUR			
B10	PRESSOSTATO LIVELLO VASCA TANK PRESSURE SWITCH	PRESSOSTAT NIVEAU AIRGAP TANKDRUCKSCHALTER-NIVEAUREGLER		
M/2	SCHEDA CONTROLLO ELECTRONIC CONTROL UNIT	FICHE DE CONTROLEELECTRONIQUE ELEKTRONISCHE BEDIENUNGSKARTE		
SIMB.	DESCRIZIONE DESCRIPTION	DESCRIPTION BESCHREIBUNG		

code Machine Amika 80XL		denomination halcyon ®		Code 81762	
re-examined	date	Dishwashers		n°/file	mod
inspected by	date			81814	--
validated by	date	total blatt 3	N° blatt 1	Next blatt -2	

DESCRIZIONE	SOSTITUISCE	DATA



-3
-2

code Machine		denomination		Codice	
Amika 80XL				81749	
re-examined	date/date			n°/file	mod
inspected by	date	Dishwashers		81814	
validated by	date/date	total blat	N° blat	Next blat	
		3	2	-3	